

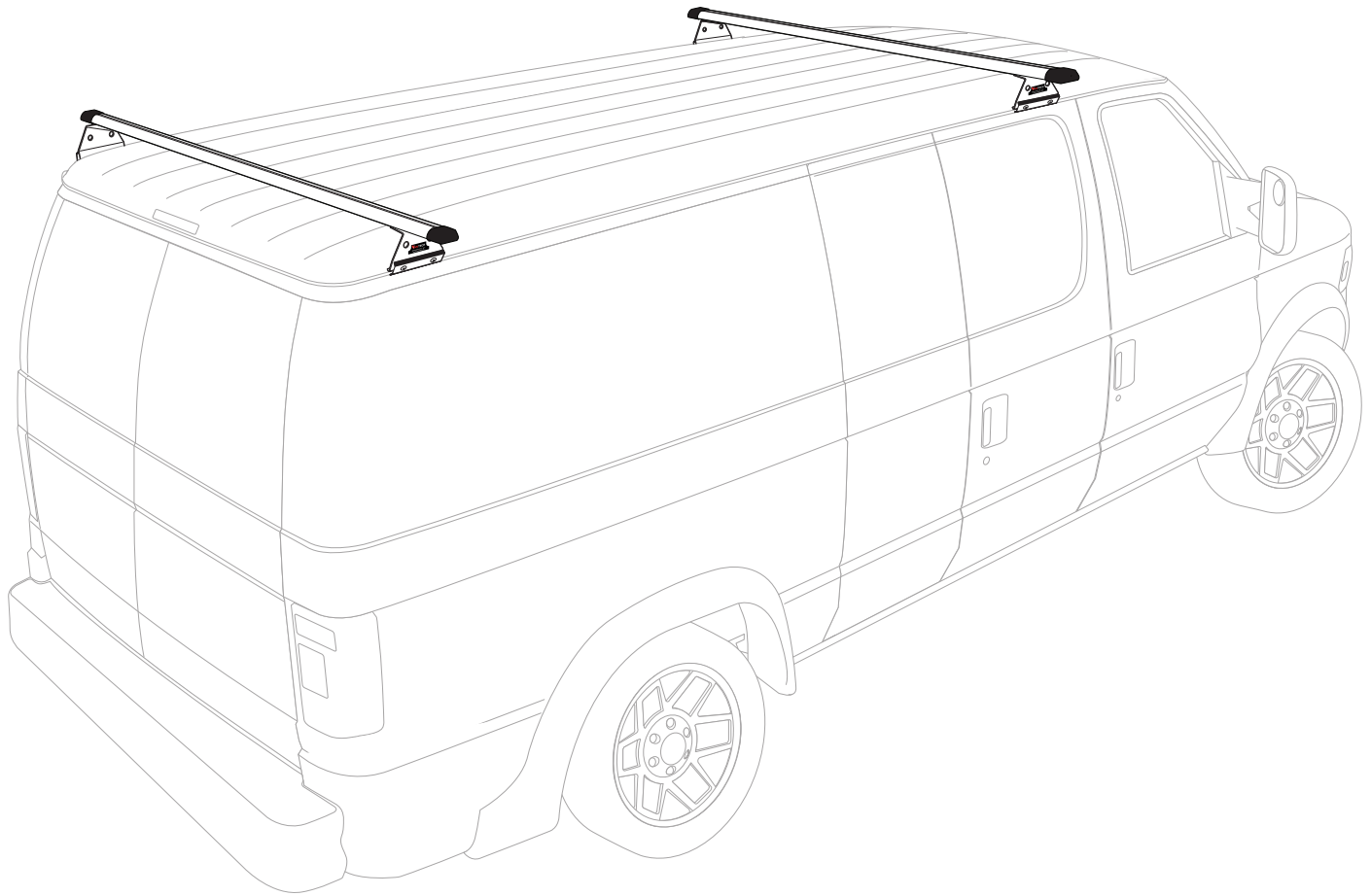
# Warehouse Use Only

---

Part #	QUANTITY
D061	1
D117	1
H11W	4
H17W	4
A286-72W	2
BG572	2
Z286	4
BG908	4

Part #:	H3214W
Dimensions:	8" X 8" X 73" (Telescopic)
Weight:	???





### PRODUCT INFO

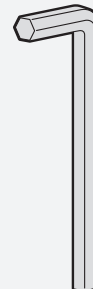
---

Part #: H3214W  
System: H3 Series  
Material: Aluminum  
Fitment: Ford Econoline 1992-13  
Color: White

### REQUIRED TOOLS

---

3/16" Allen Key Wrench



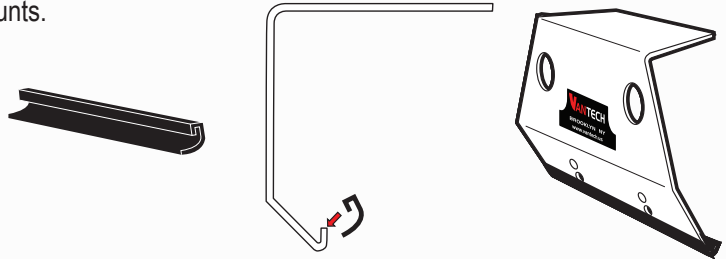
1/2" Wrench



PART #	DESCRIPTION	QTY	ITEM
ITEM NOT DRAWN TO SCALE			
S053	DOUBLE SLIDER 3" BOLT TO BOLT	4	
W008	5/16" X 3/4" WASHER	16	
B016	5/16" X 1 1/4" CARRIAGE BOLT	8	
N005	5/16" NYLON NUT	16	
H11	DRIP RAIL CLAMP	4	
H17	MOUNTING BASE (STANDARD)	4	
A286-72	3" X 1.5" X 72" CROSS BAR	2	
BG572	RUBBER BAR GUARD 72"	2	
Z286	ENDCAP	4	
BG908	RUBBER SEAT	4	

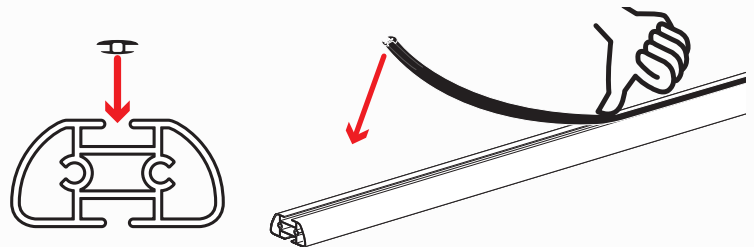
## RUBBER SEATS FOR UPRIGHT MOUNTS

- Slide the Rubber Seats onto the bottom of the Upright Mounts.
- These prevent metal on metal contact for vehicles without a protective layer on their drip rail.

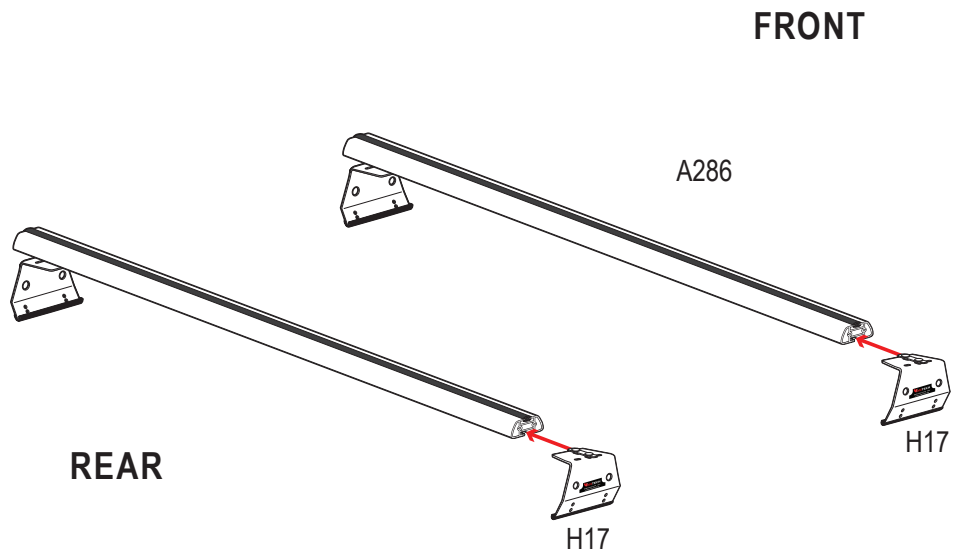
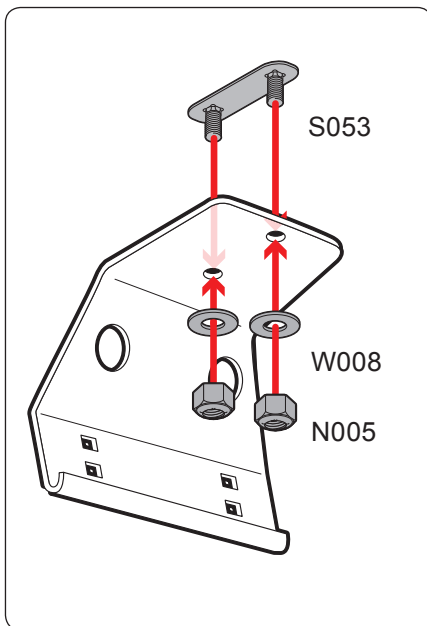


## RUBBER BAR GUARDS

- Press the rubber bar guard into the channels of cross bars



## SYSTEM PLACEMENT MUST BE PLACED IN THIS ORDER



**Do not tighten hardware**

