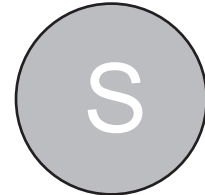
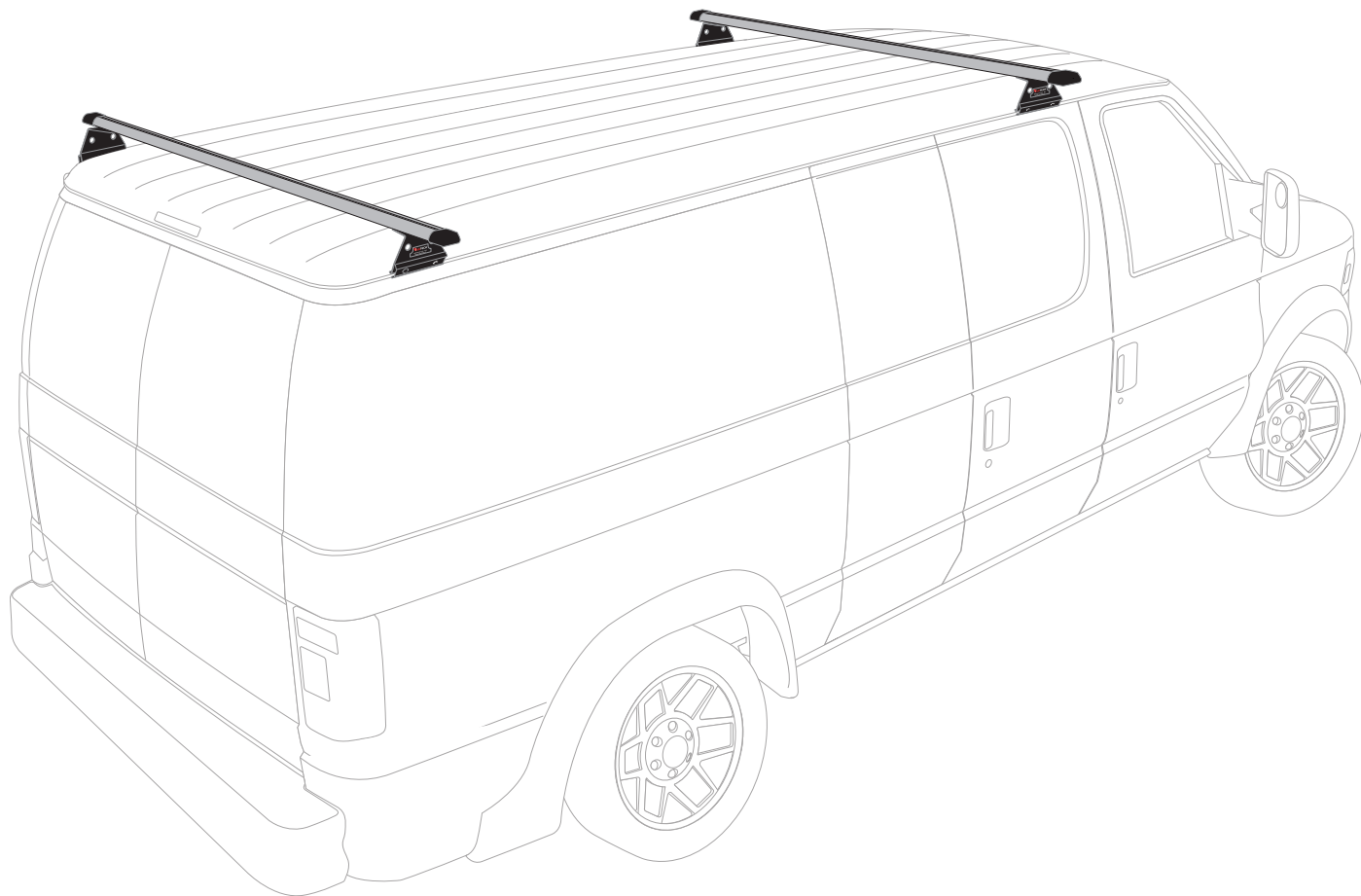


Warehouse Use Only

Part #	QUANTITY
D061	1
D117	1
H11B	4
H17B	4
A286-65S	2
BG565	2
Z286	4
BG908	4

Part #:	H3209S
Dimensions:	8" X 8" X 66" (Telescopic)
Weight:	???





PRODUCT INFO

Part #: H3209S
System: H3 Series
Material: Aluminum
Fitment: GMC Savana 1996-14
Color: Silver


REQUIRED TOOLS

3/16" Allen Key Wrench



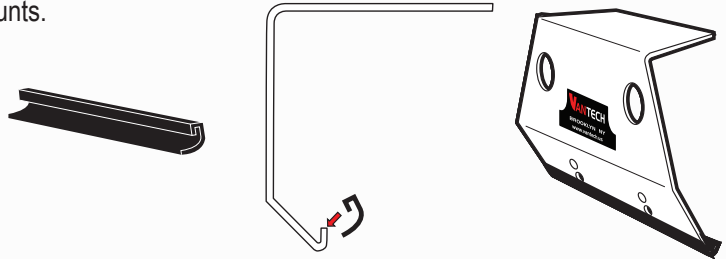
1/2" Wrench



PART #	DESCRIPTION	QTY	ITEM
ITEM NOT DRAWN TO SCALE			
S053	DOUBLE SLIDER 3" BOLT TO BOLT	4	
W008	5/16" X 3/4" WASHER	16	
B016	5/16" X 1 1/4" CARRIAGE BOLT	8	
N005	5/16" NYLON NUT	16	
H11	DRIP RAIL CLAMP	4	
H17	MOUNTING BASE (STANDARD)	4	
A286-65	3" X 1.5" X 65" CROSS BAR	2	
BG565	RUBBER BAR GUARD 65"	2	
Z286	ENDCAP	4	
BG908	RUBBER SEAT	4	

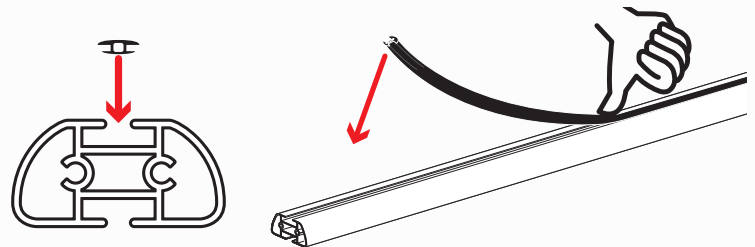
RUBBER SEATS FOR UPRIGHT MOUNTS

- Slide the Rubber Seats onto the bottom of the Upright Mounts.
- These prevent metal on metal contact for vehicles without a protective layer on their drip rail.

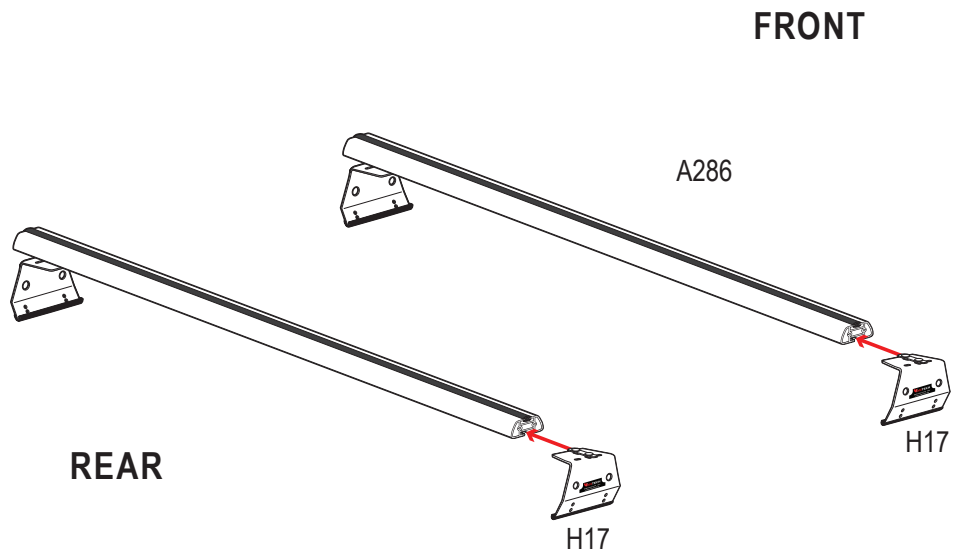
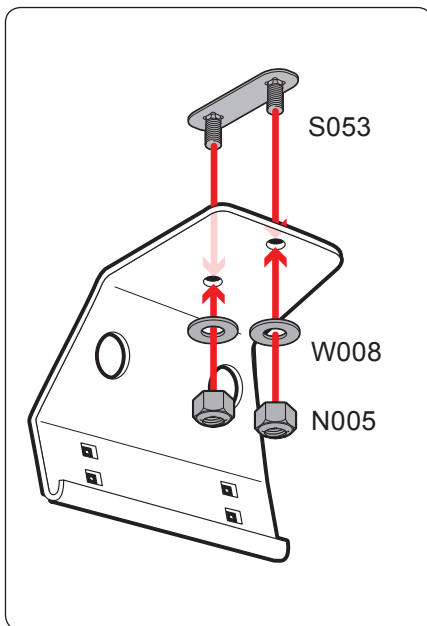


RUBBER BAR GUARDS

- Press the rubber bar guard into the channels of cross bars



SYSTEM PLACEMENT MUST BE PLACED IN THIS ORDER



Do not tighten hardware

