

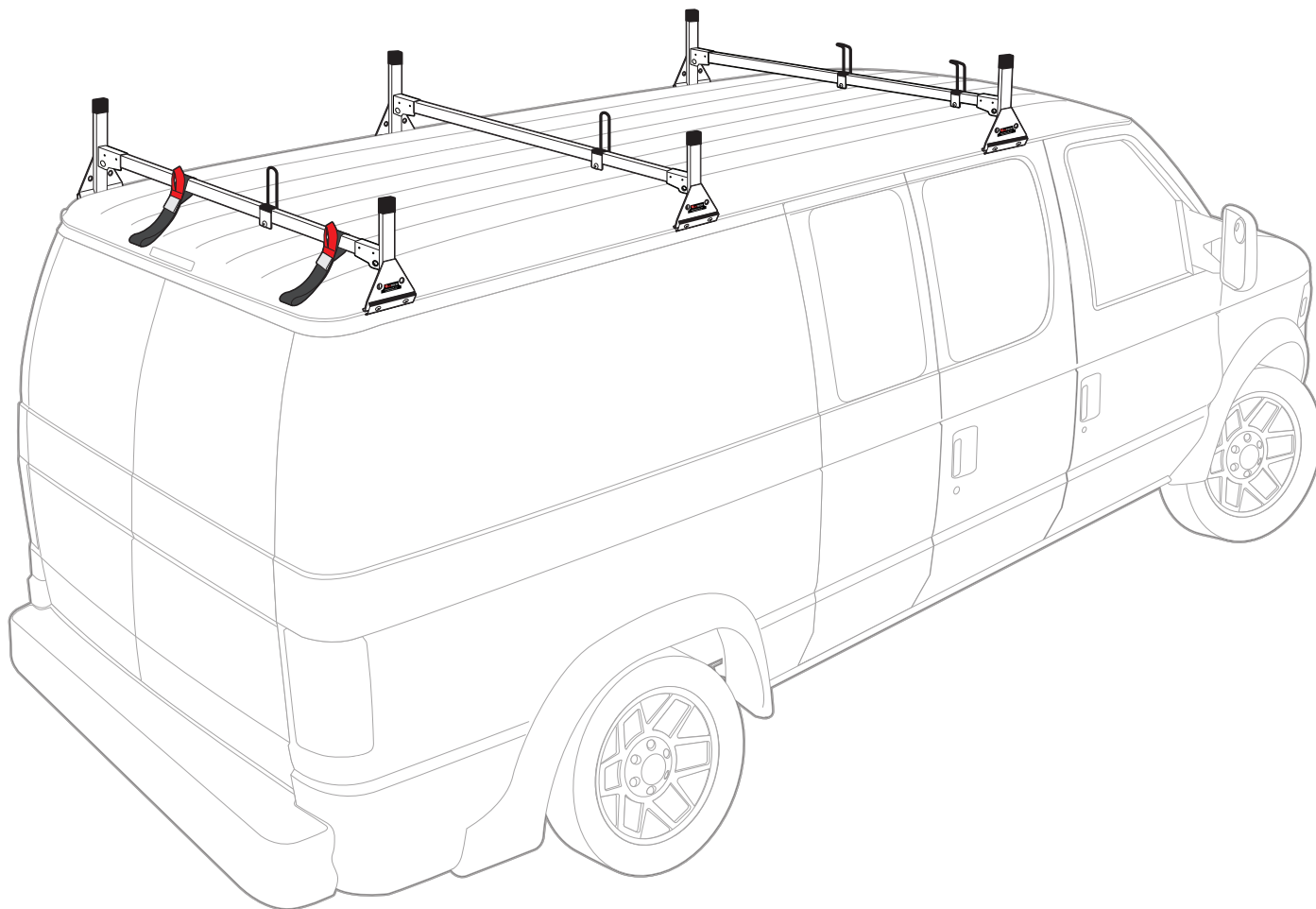


Warehouse Use Only

Part #	QUANTITY
D062	1
D110	1
H11W	6
H09W	6
A613-62W	1
A613-63W	2
BG555	3
BG908	6
A02	2
A06	2
A69	2

Part #:	H3063W
Dimensions:	8" X 8" X 64" (Telescopic)
Weight:	???



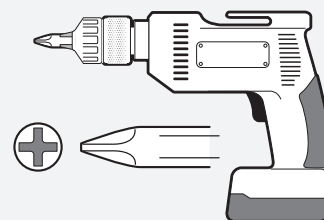


PRODUCT INFO

Part #: H3063W
System: H1 Series
Material: Aluminum
Fitment: Dodge Ram 1981-07
Color: White

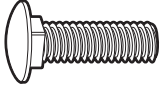
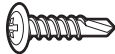


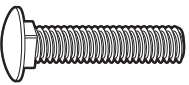










REQUIRED TOOLS

Power Tool With Phillips Head

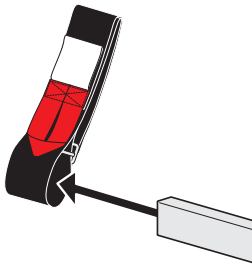


1/2" Wrench

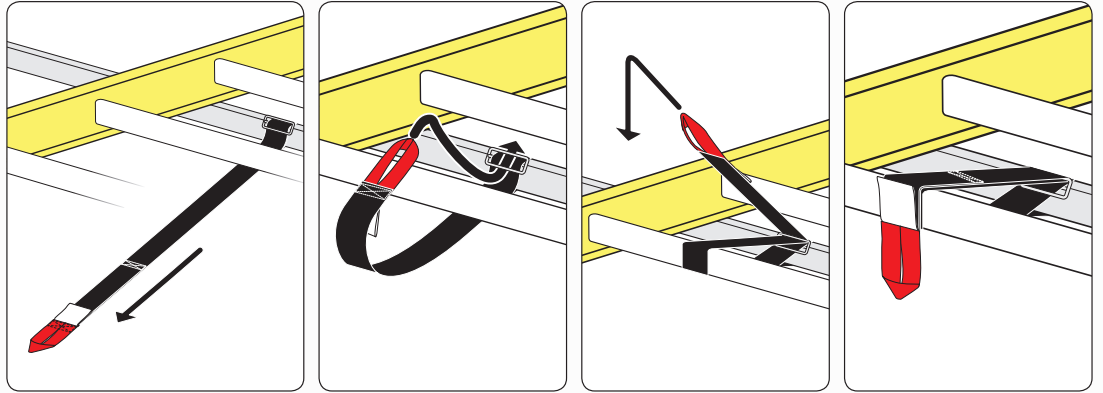


PART #	DESCRIPTION	QTY	ITEM ITEM NOT DRAWN TO SCALE
B016	5/16" X 1 1/4" CARRIAGE BOLT	12	
B201	TAP SCREW	12	
N005	5/16" NYLON NUT	12	
W008	5/16" X 3/4" WASHER	12	
B018	5/16" X 1 3/4" CARRIAGE BOLT	4	
N016	5/16" KNOB	4	
H09	H1 MOUNTING BASE (STANDARD)	6	
A613-62	2" X 1" X 62" CROSS BAR	1	
A613-63	2" X 1" X 63" CROSS BAR	2	
H11	2" X 8" DRIP RAIL CLAMP	6	
A02	LADDER GUIDE	2	
A06	LADDER STOPPER	2	
A69	EZ-VELCRO STRAP	2	
BG555	RUBBER BAR GUARD 55"	3	
BG908	RUBBER SEAT	6	

EZ-Velcro Strap

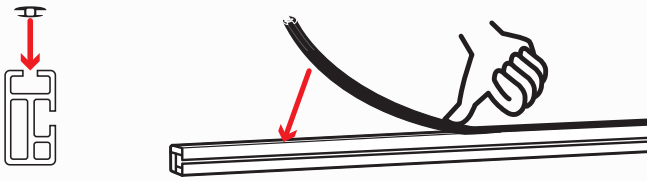


Directions



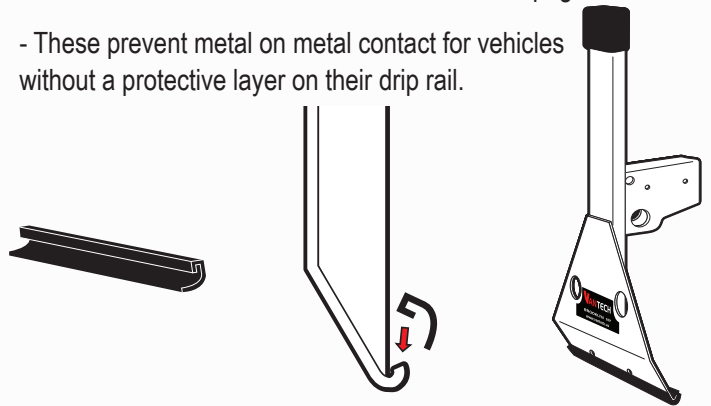
RUBBER BAR GUARDS

- Press the rubber bar guard into the channels of cross bars
- Leave 4" on each end

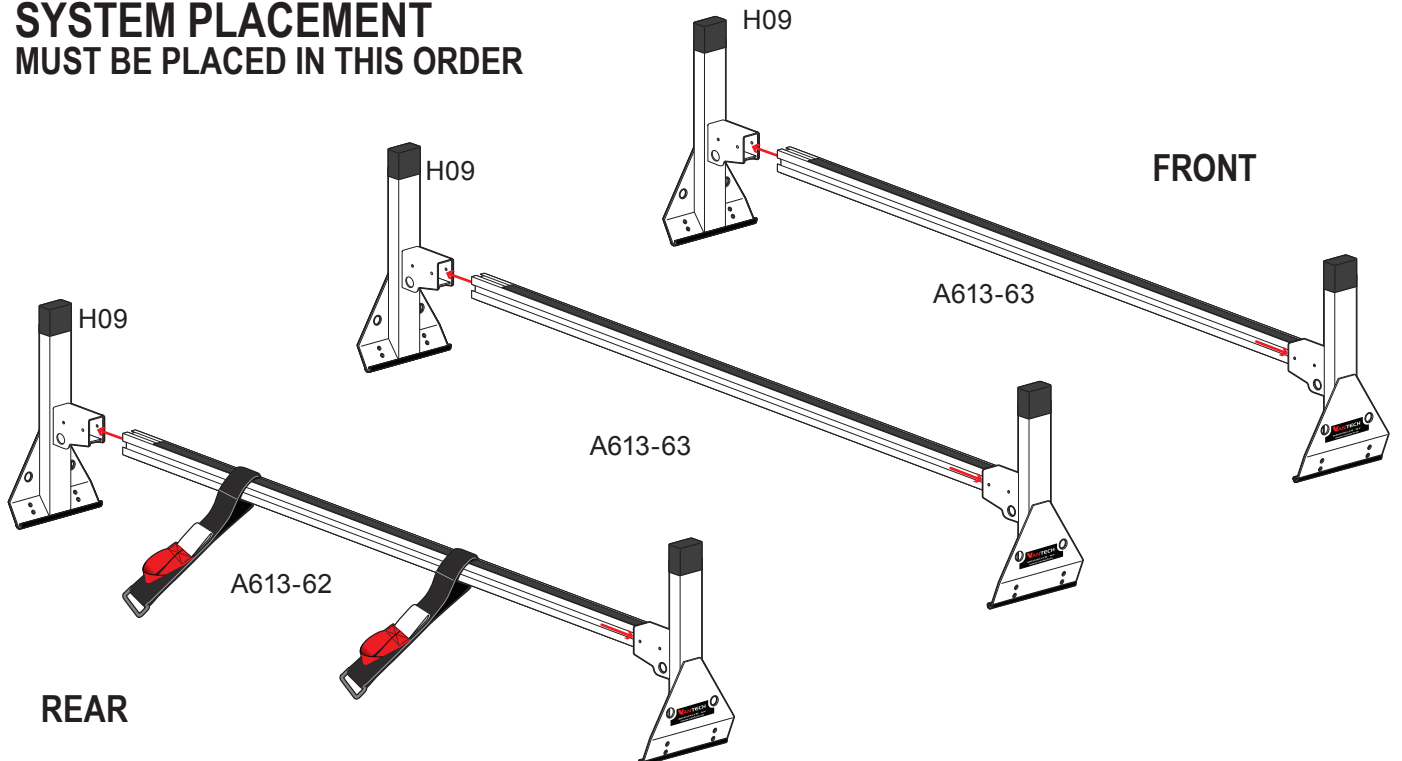


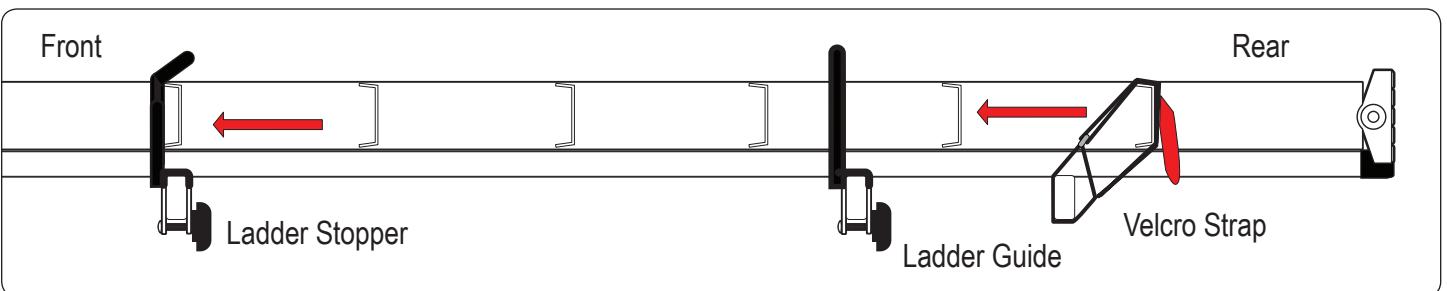
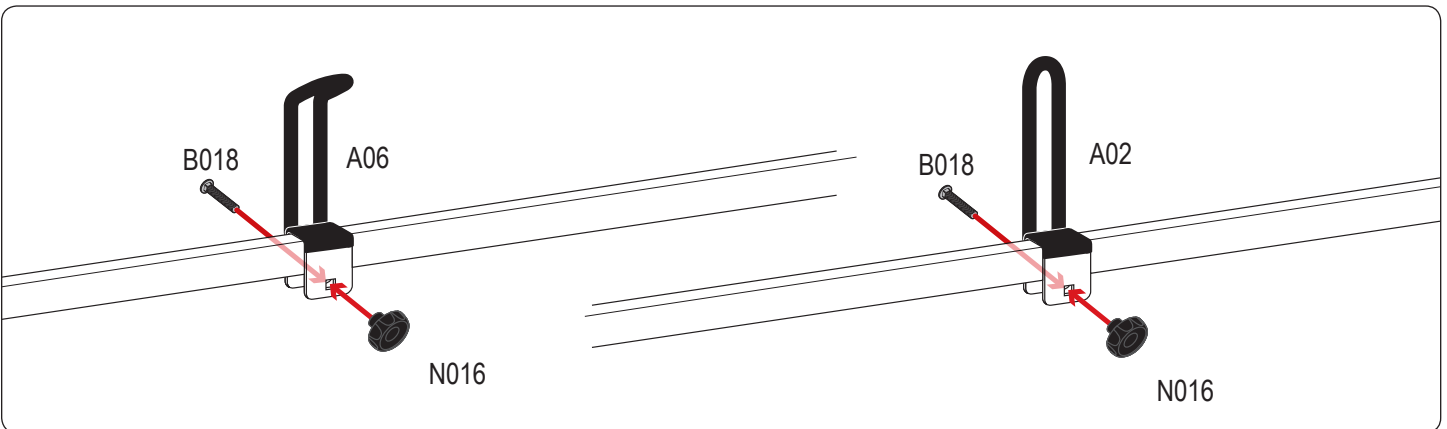
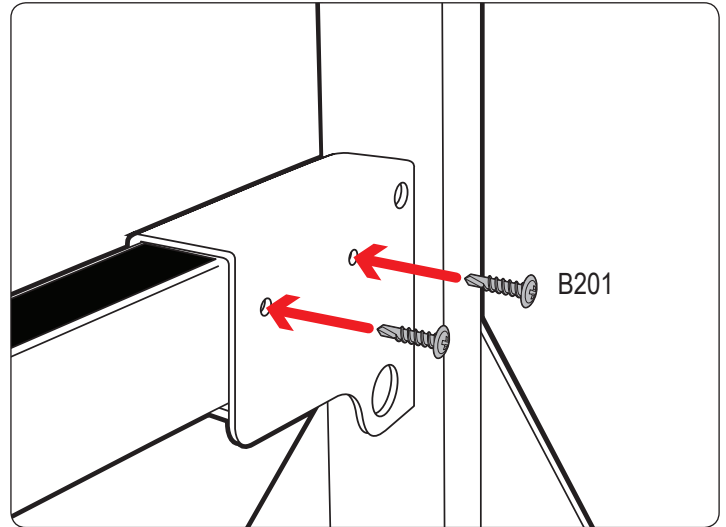
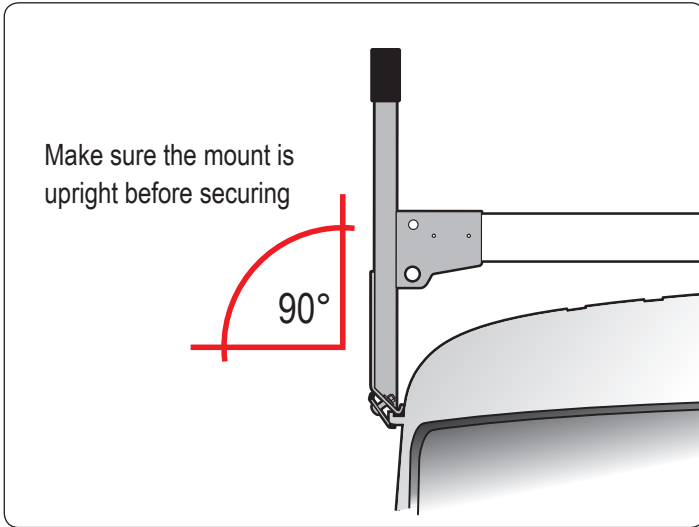
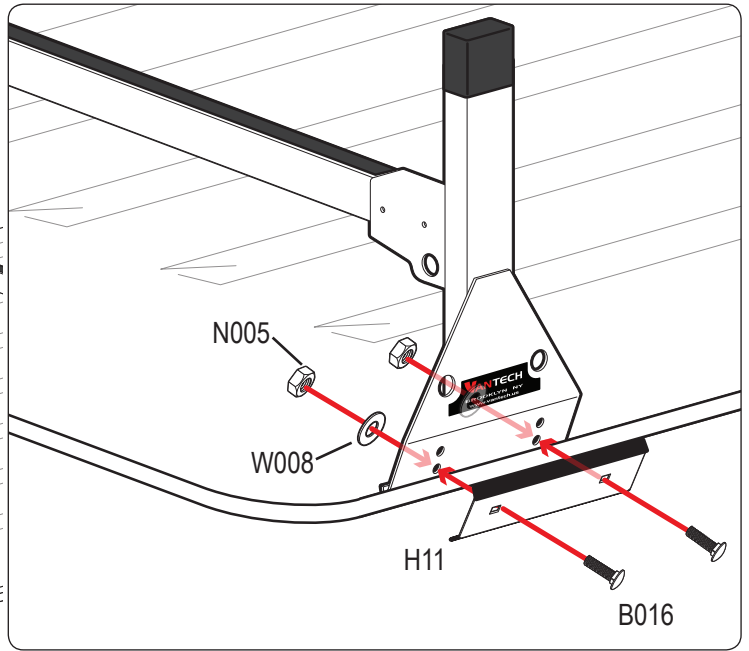
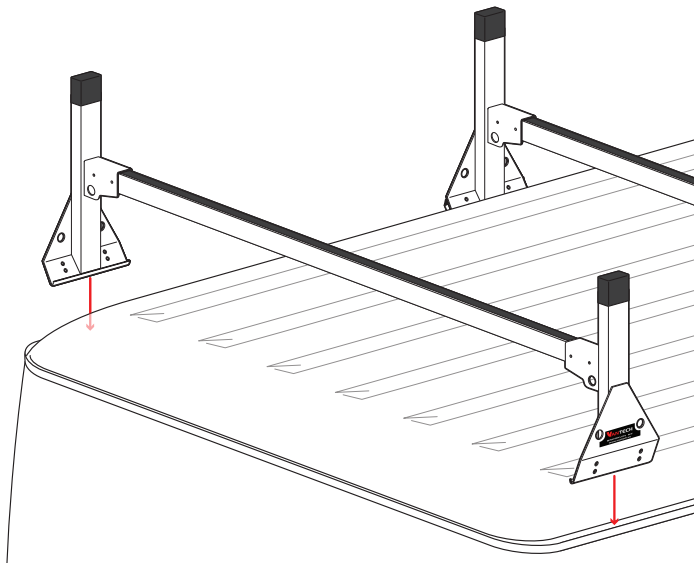
RUBBER SEATS FOR UPRIGHT MOUNTS

- Slide the Rubber Seats onto the bottom of the Upright Mounts.
- These prevent metal on metal contact for vehicles without a protective layer on their drip rail.



SYSTEM PLACEMENT MUST BE PLACED IN THIS ORDER





If you're looking for quality commercial van equipment, visit our website.