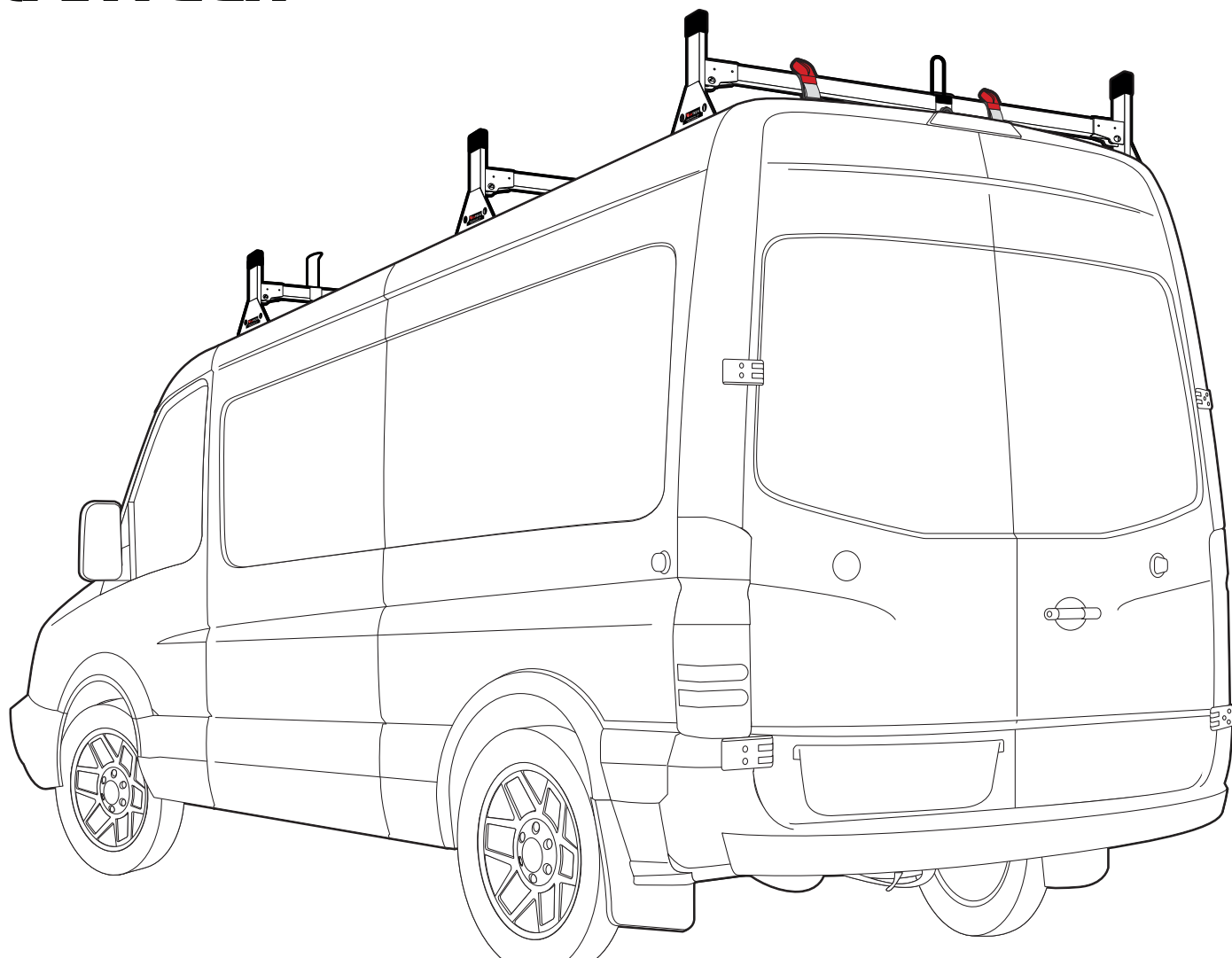


Warehouse Use Only

| Part # | QUANTITY |
|----------|----------|
| D010 | 1 |
| D112 | 1 |
| H33W | 6 |
| A500-50W | 3 |
| BG042 | 3 |
| A02 | 2 |
| A06 | 2 |
| A69 | 2 |

| | |
|-------------|----------------------------|
| Part #: | H2668W |
| Dimensions: | 8" X 8" X 51" (Telescopic) |
| Weight: | ??? |





PRODUCT INFO

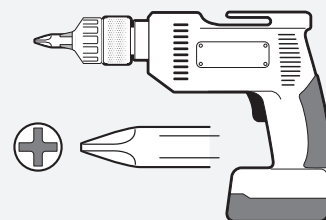
Part #: H2668W
System: H1 Series
Material: Steel
Fitment: Sprinter 2007-On (High Roof)
Color: White

Fastens onto factory tracks (if available)

Tracks sold seperately
Part# R20 / R21

REQUIRED TOOLS

Power Tool With Phillips Head



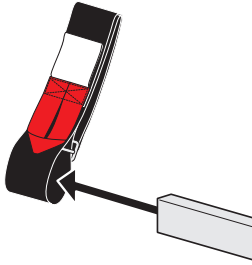
1/2" Wrench



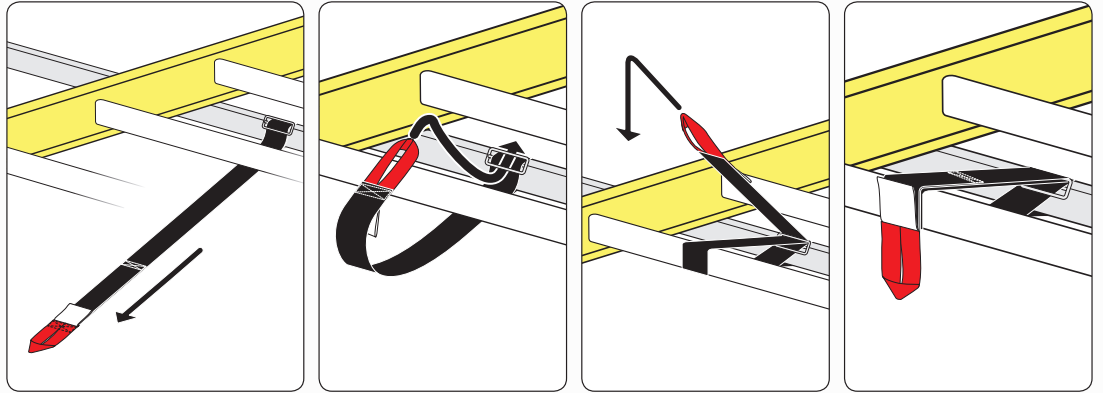
| PART# | DESCRIPTION | QTY | ITEM |
|---------|---------------------------------------|-----|---|
| S054 | 5/16" DOUBLE SLIDER (5" BOLT TO BOLT) | 6 |  |
| B201 | TAP SCREW | 12 |  |
| N005 | 5/16" NYLON NUT | 12 |  |
| W008 | 5/16" X 3/4" WASHER | 12 |  |
| B018 | 5/16" X 1 3/4" CARRIAGE BOLT | 4 |  |
| N016 | 5/16" KNOB | 4 |  |
| H33 | H1 MOUNTING BASE | 6 |  |
| A500-50 | 2" X 1" X 50" CROSS BAR | 3 |  |
| A02 | LADDER GUIDE | 2 |  |
| A06 | LADDER STOPPER | 2 |  |
| A69 | EZ-VELCRO STRAP | 2 |  |
| BG042 | PLASTIC BAR GUARD 42" | 3 |  |

items not drawn to scale

EZ-Velcro Strap



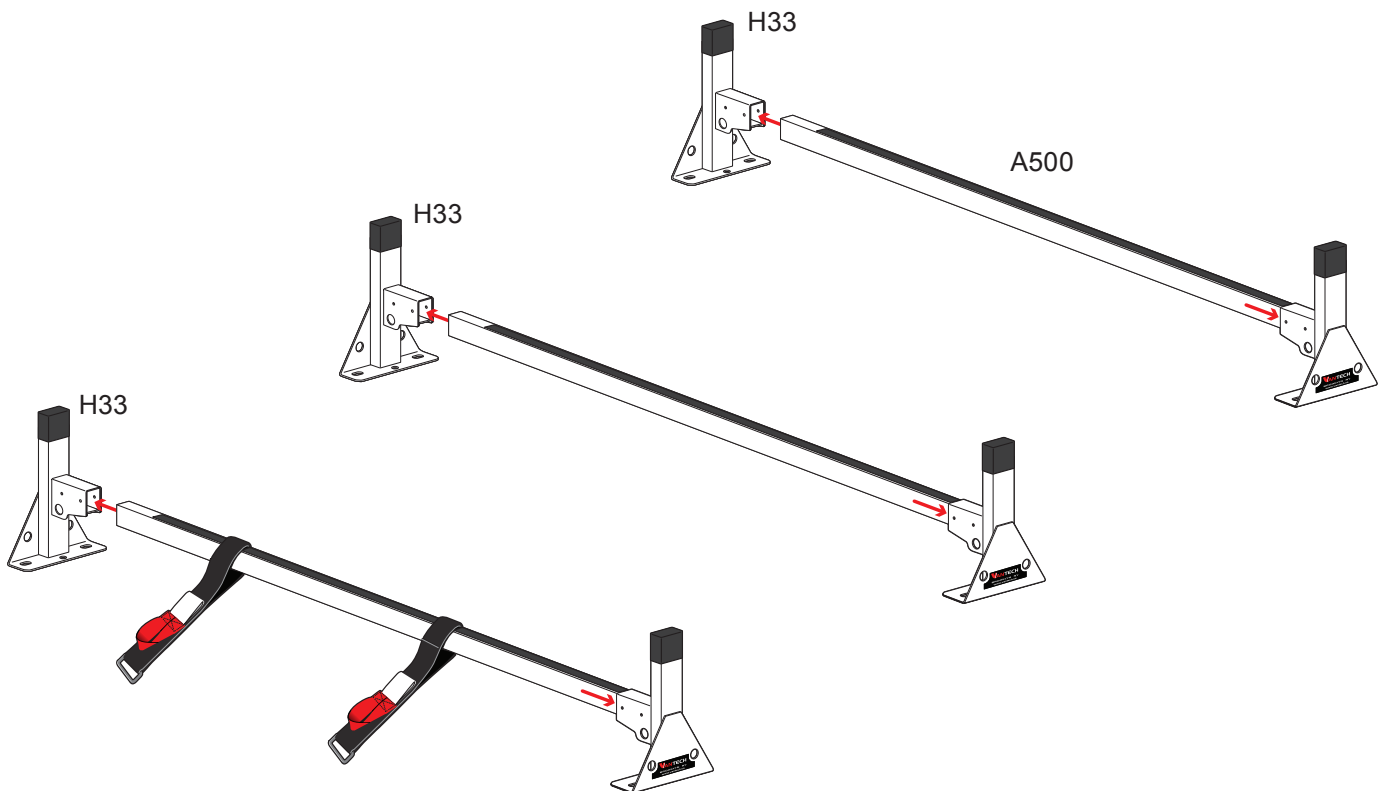
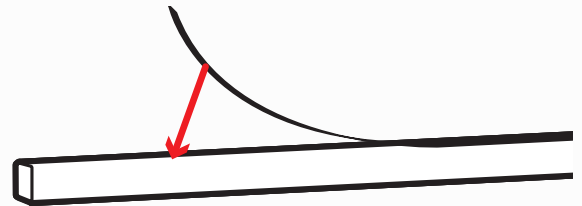
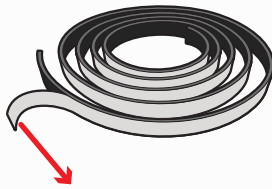
Directions

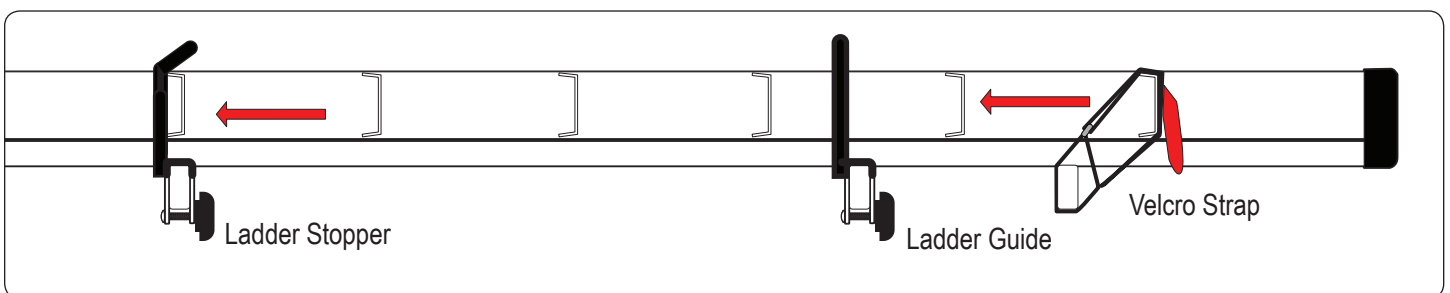
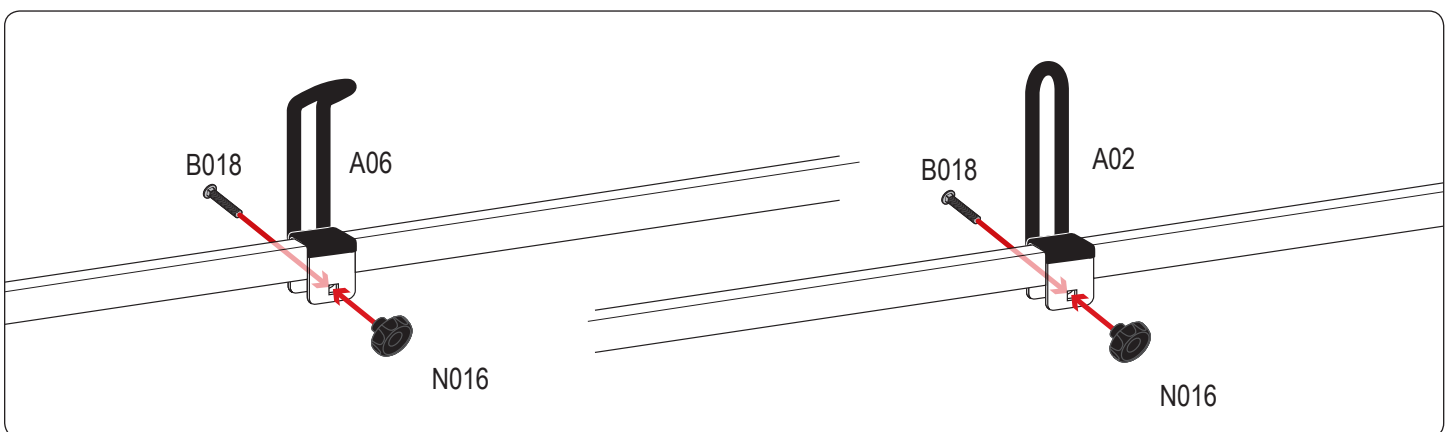
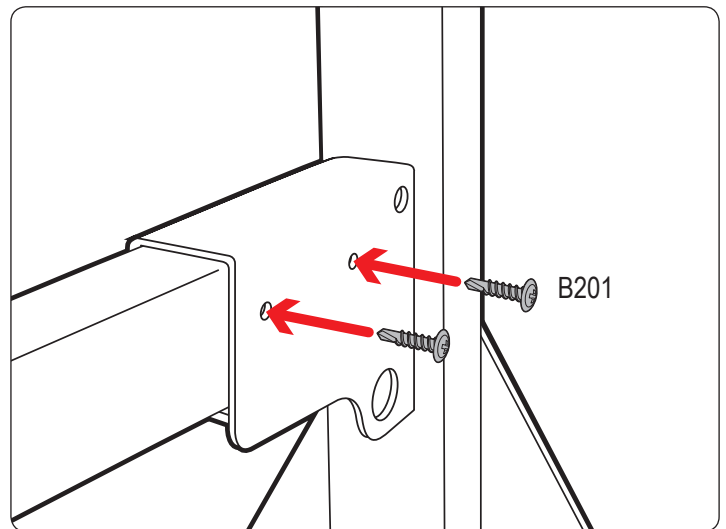
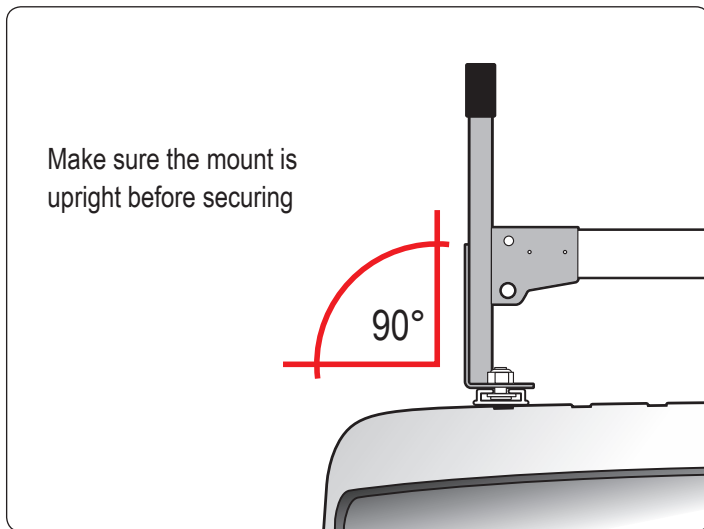
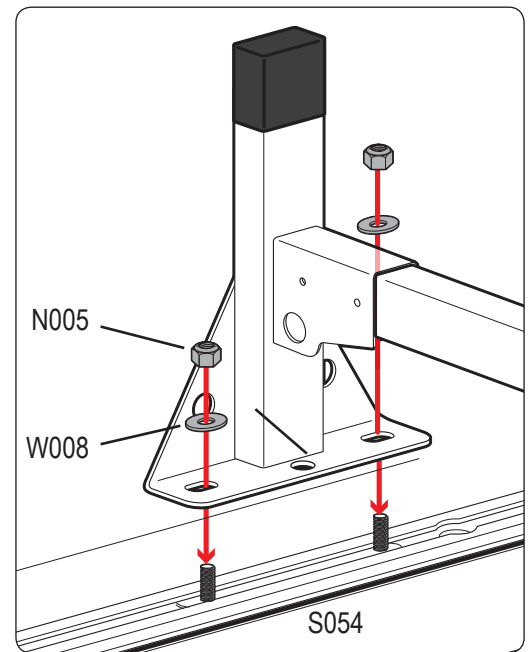
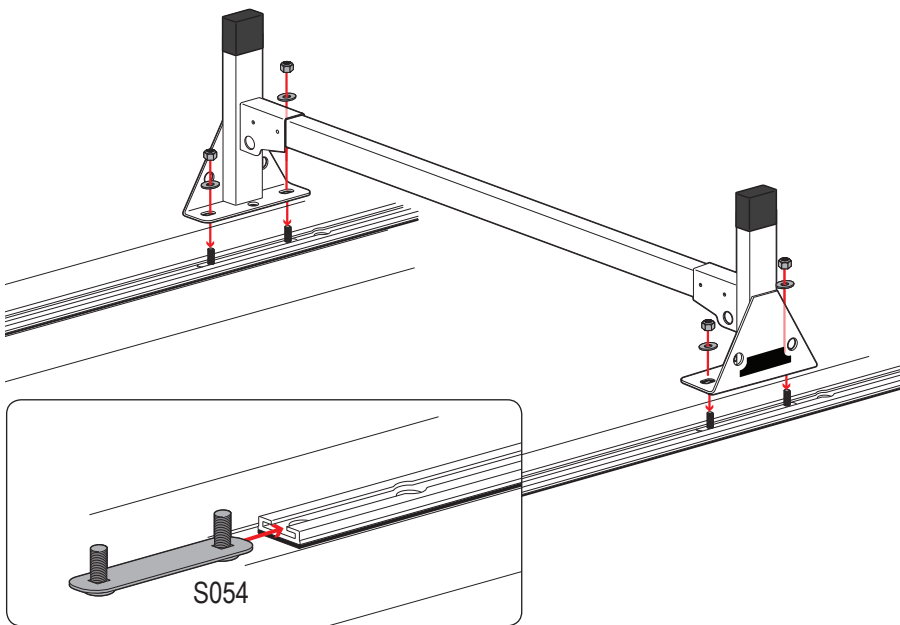


PLASTIC BAR GUARDS FOR STEEL CROSS BARS

- Remove wax paper from plastic bar guard and adhere it to the top of the Cross Bar.

- Leave 4" on each end





Vantech provides the best in truck and commercial van equipment.