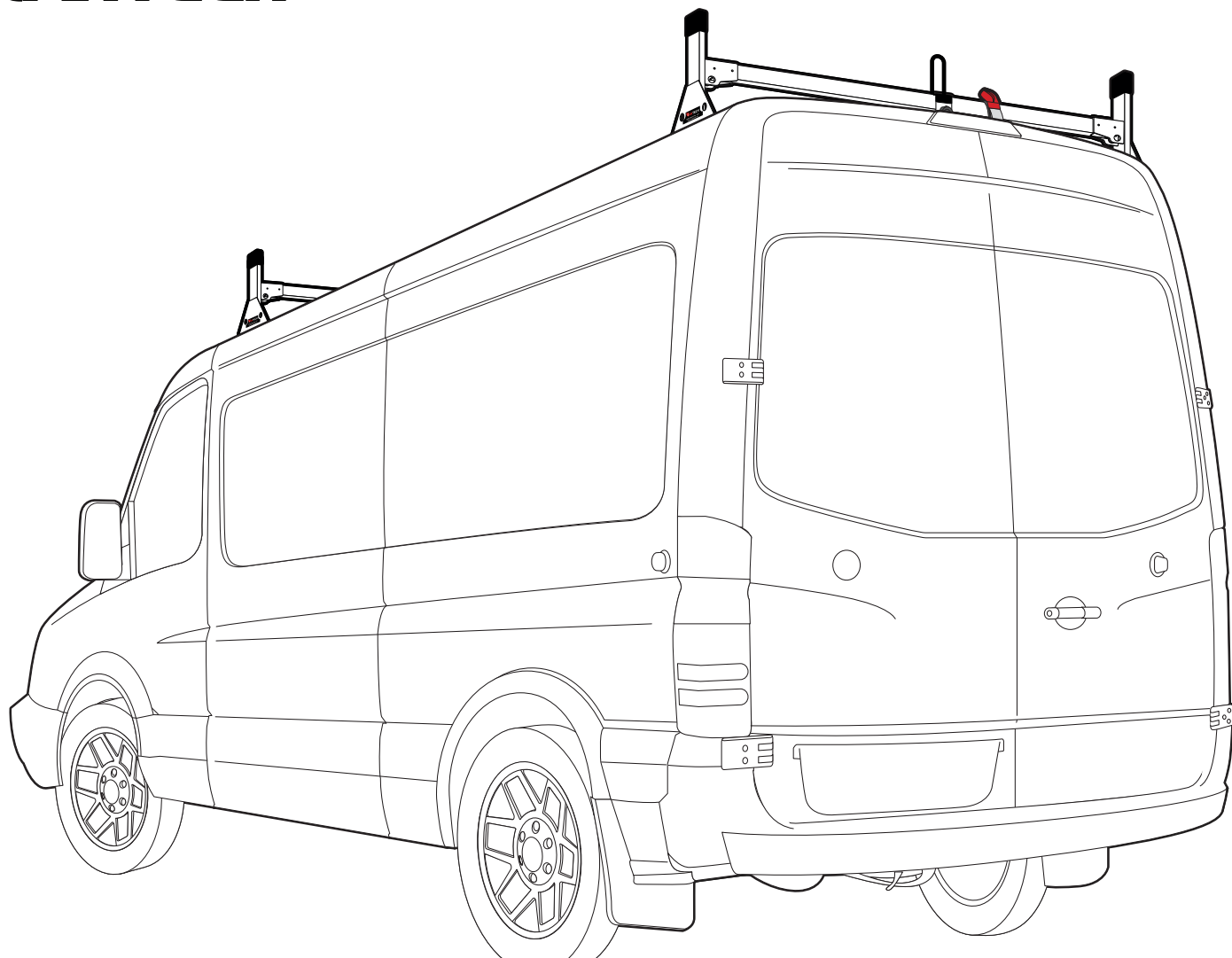


Warehouse Use Only

Part #	QUANTITY
D009	1
D111	1
H33W	4
A500-50W	2
BG042	2
A02	1
A06	1
A69	1

Part #:	H2667W
Dimensions:	8" X 8" X 51" (Telescopic)
Weight:	???





PRODUCT INFO

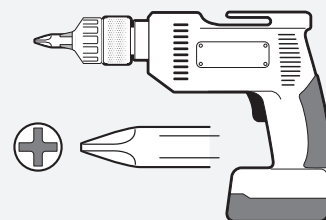
Part #: H2667W
System: H1 Series
Material: Steel
Fitment: Sprinter 2007-On (High Roof)
Color: White

Fastens onto factory tracks (if available)

Tracks sold seperately
Part# R20 / R21

REQUIRED TOOLS

Power Tool With Phillips Head



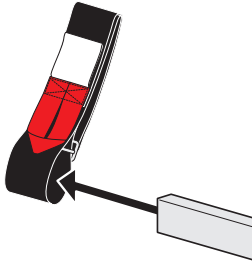
1/2" Wrench



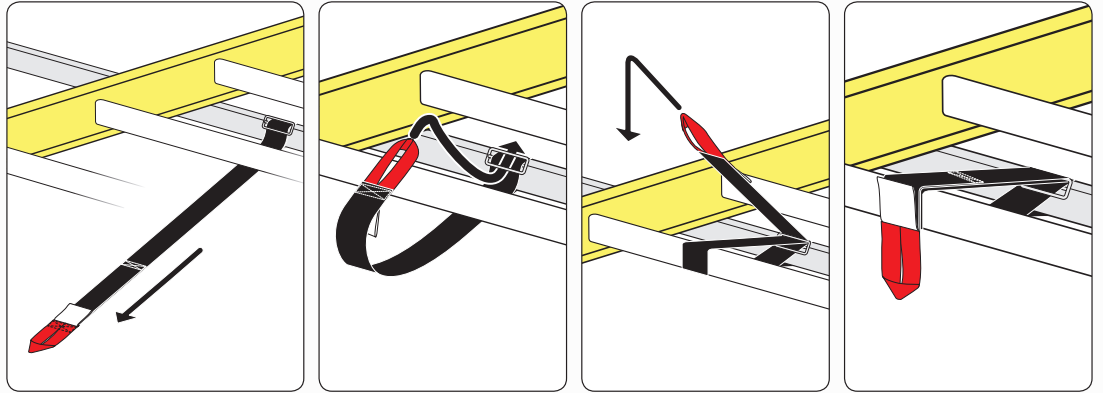
PART#	DESCRIPTION	QTY	ITEM
S054	5/16" DOUBLE SLIDER (5" BOLT TO BOLT)	4	
B201	TAP SCREW	8	
N005	5/16" NYLON NUT	8	
W008	5/16" X 3/4" WASHER	8	
B018	5/16" X 1 3/4" CARRIAGE BOLT	2	
N016	5/16" KNOB	2	
H33	H1 MOUNTING BASE	4	
A500-50	2" X 1" X 50" CROSS BAR	2	
A02	LADDER GUIDE	1	
A06	LADDER STOPPER	1	
A69	EZ-VELCRO STRAP	1	
BG042	PLASTIC BAR GUARD 42"	2	

items not drawn to scale

EZ-Velcro Strap



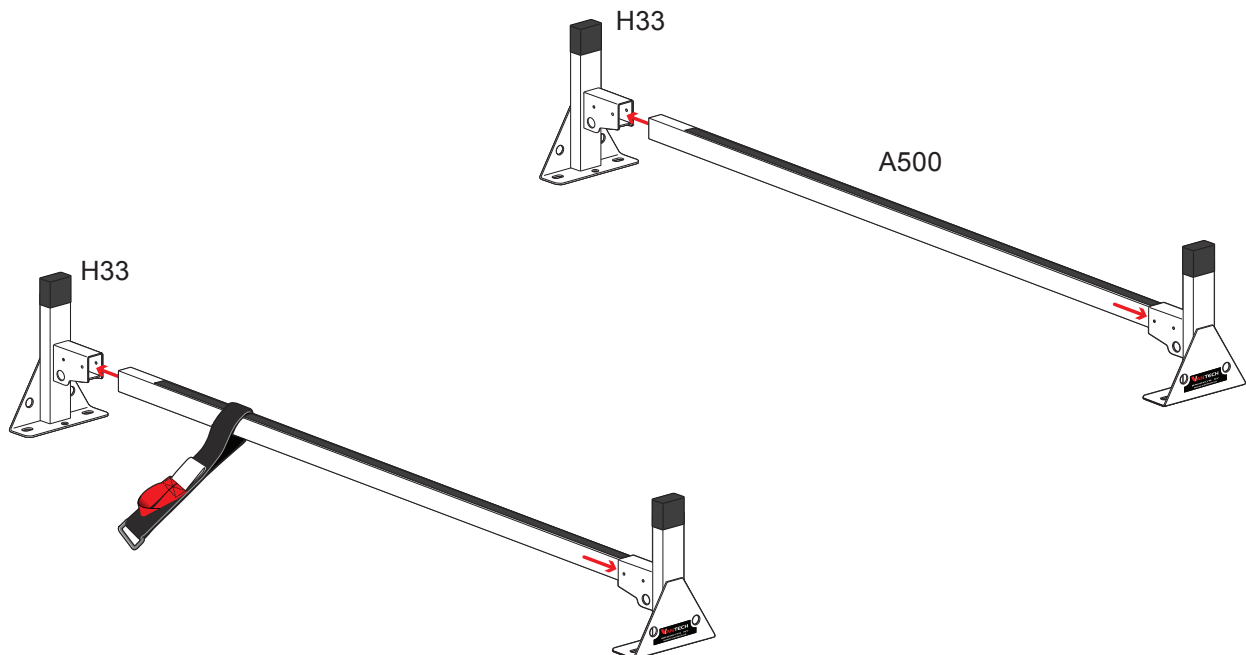
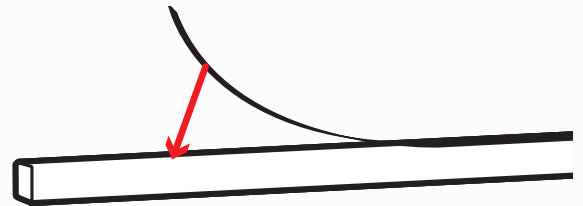
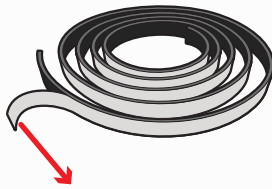
Directions

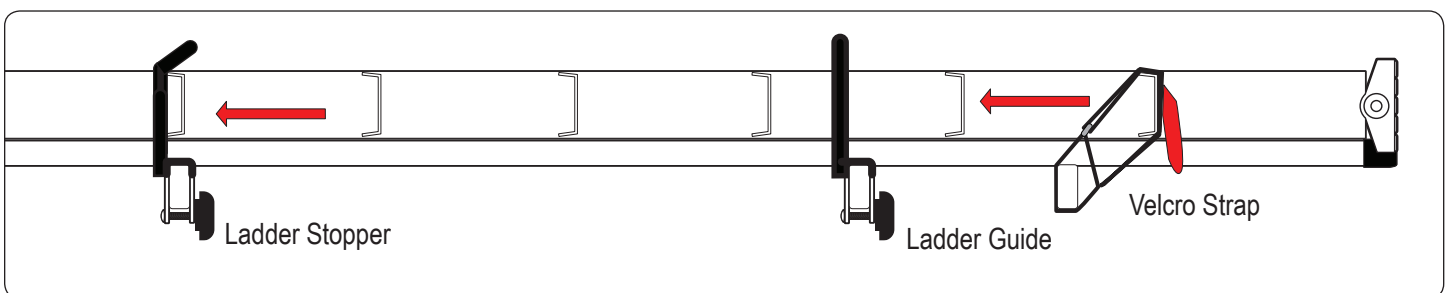
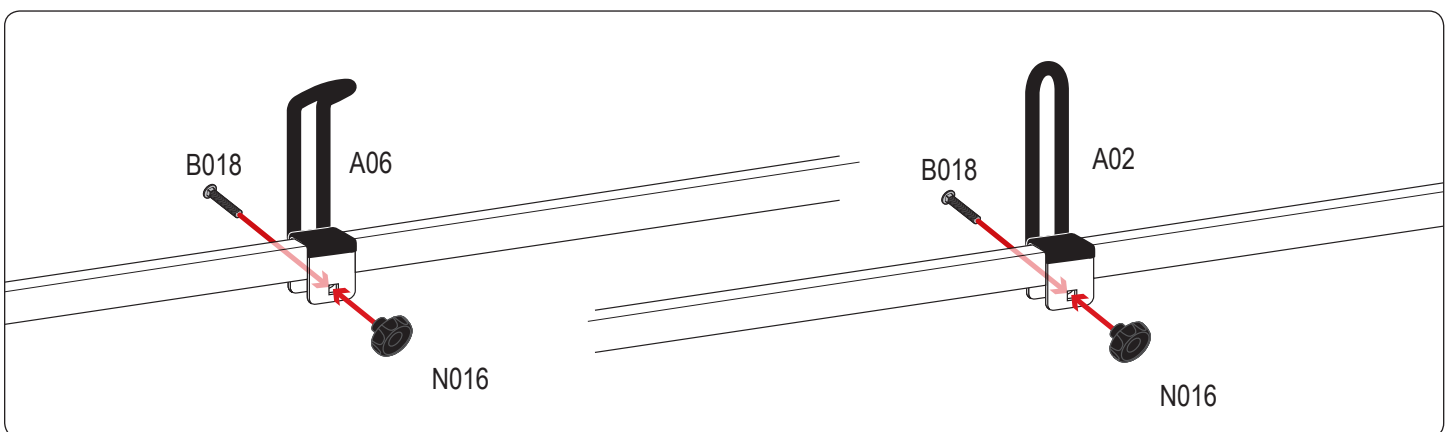
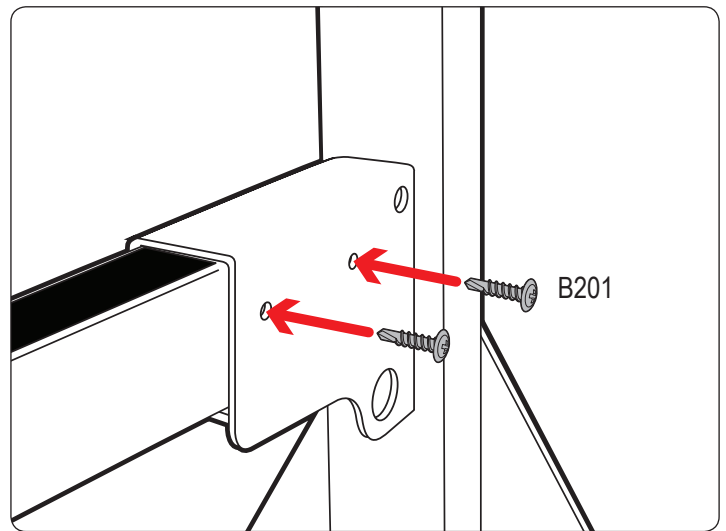
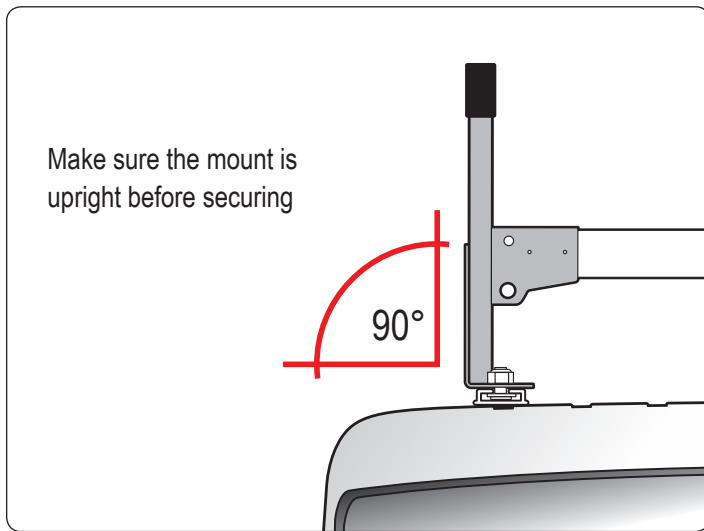
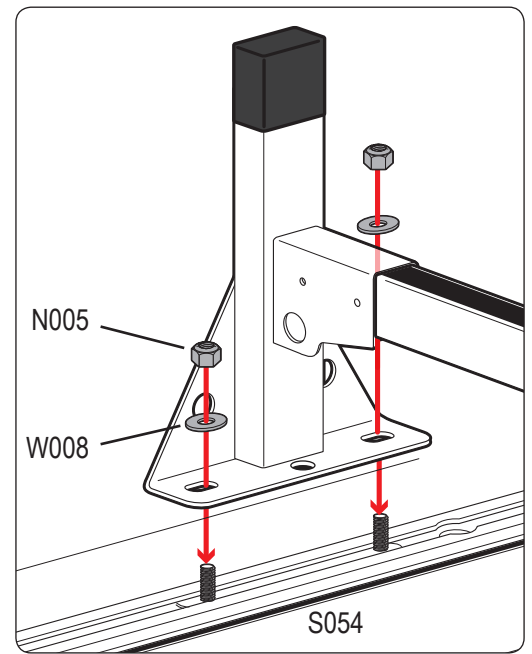
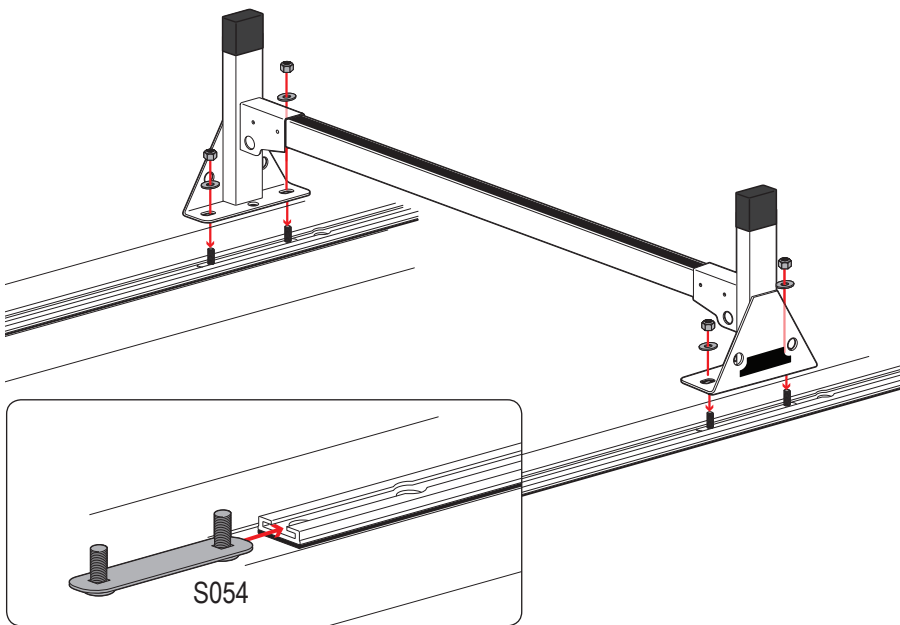


PLASTIC BAR GUARDS FOR STEEL CROSS BARS

- Remove wax paper from plastic bar guard and adhere it to the top of the Cross Bar.

- Leave 4" on each end





Vantech provides the best in truck and commercial van equipment.