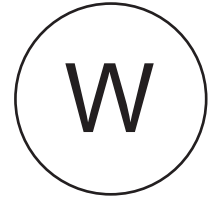


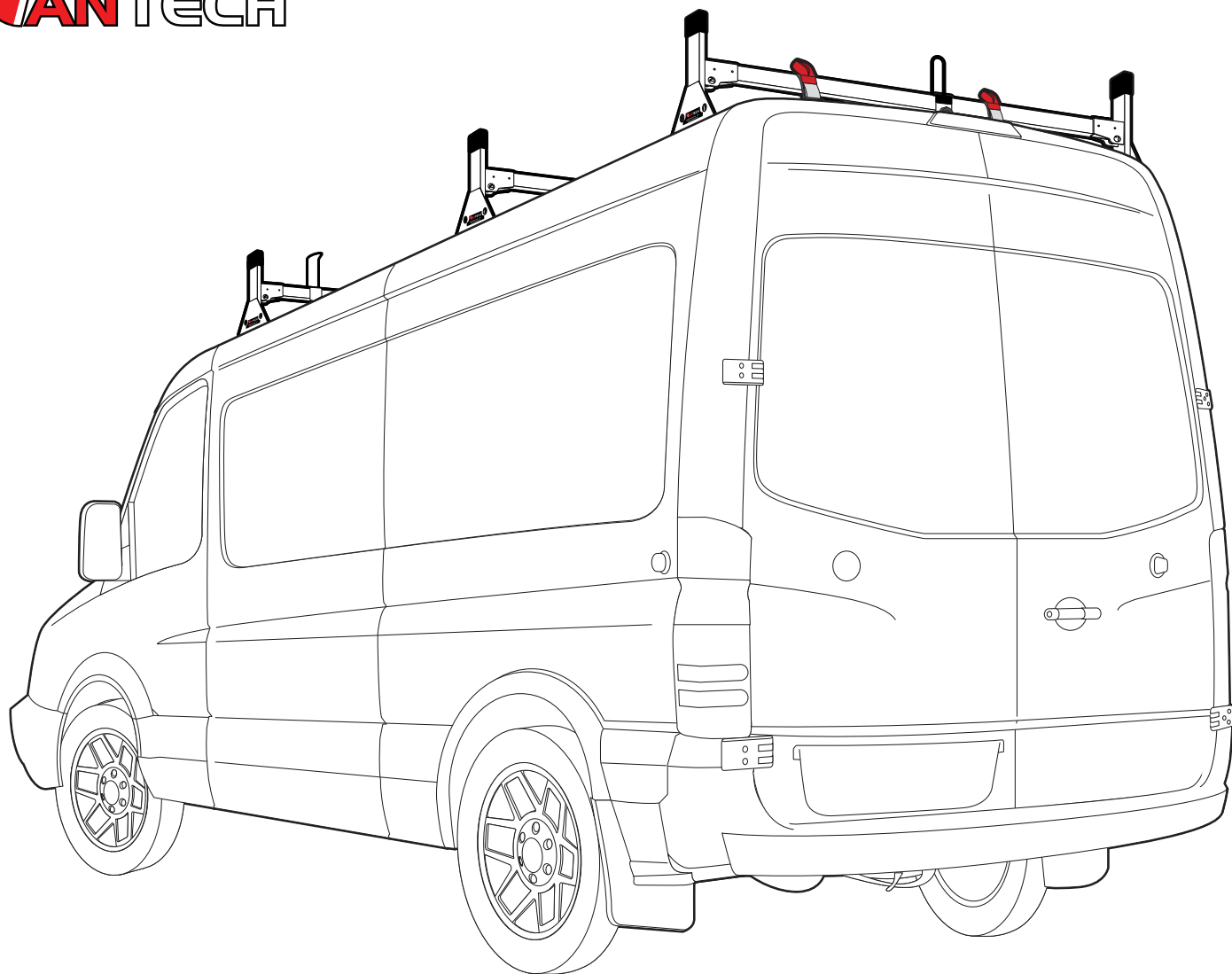
# Warehouse Use Only

---

Part #	QUANTITY
D060	1
D110	1
H34W	6
A613-50W	3
BG542	3
A02	2
A06	2
A69	2

Part #:	H2666W
Dimensions:	8" X 8" X 51" (Telescopic)
Weight:	???





## PRODUCT INFO

---

Part #: H2666W  
System: H1 Series  
Material: Aluminum  
Fitment: Sprinter 2007-On (High Roof)  
Color: White

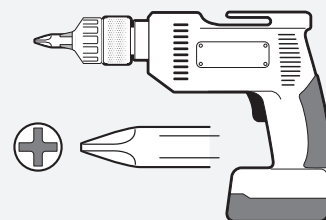
Fastens onto factory tracks (if available)

Tracks sold seperately  
Part# R20 / R21

## REQUIRED TOOLS

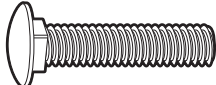



---

Power Tool With Phillips Head



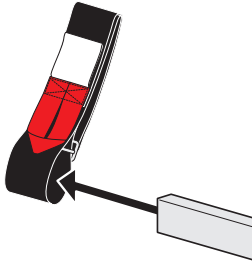
1/2" Wrench



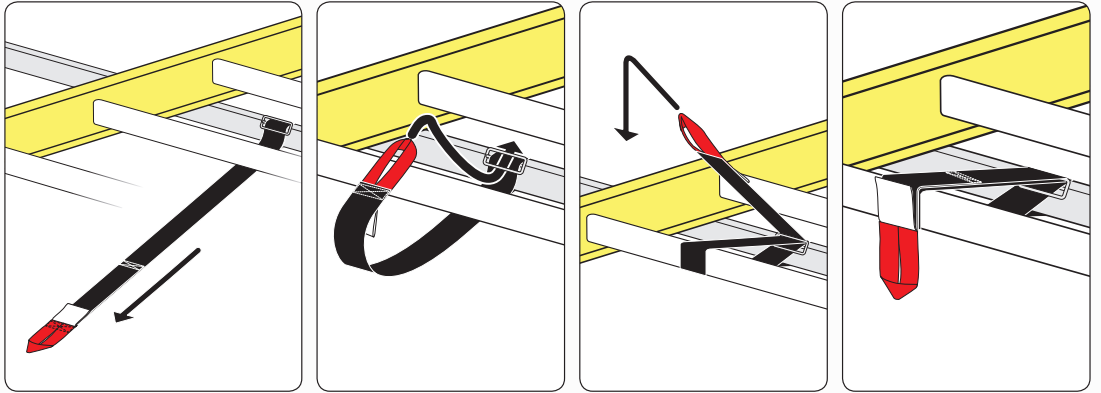
PART#	DESCRIPTION	QTY	ITEM
S054	5/16" DOUBLE SLIDER (5" BOLT TO BOLT)	6	
B201	TAP SCREW	12	
N005	5/16" NYLON NUT	12	
W008	5/16" X 3/4" WASHER	12	
B018	5/16" X 1 3/4" CARRIAGE BOLT	4	
N016	5/16" KNOB	4	
H34	H1 MOUNTING BASE	6	
A613-50	2" X 1" X 50" CROSS BAR	3	
A02	LADDER GUIDE	2	
A06	LADDER STOPPER	2	
A69	EZ-VELCRO STRAP	2	
BG542	RUBBER BAR GUARD 42"	3	

items not drawn to scale

## EZ-Velcro Strap

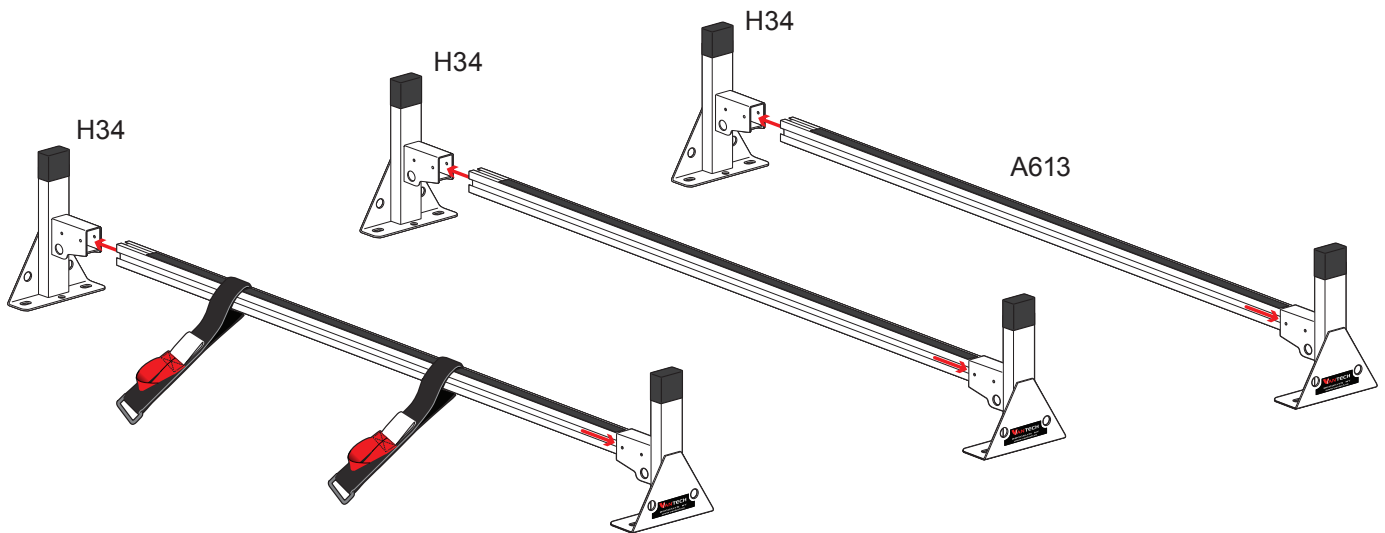


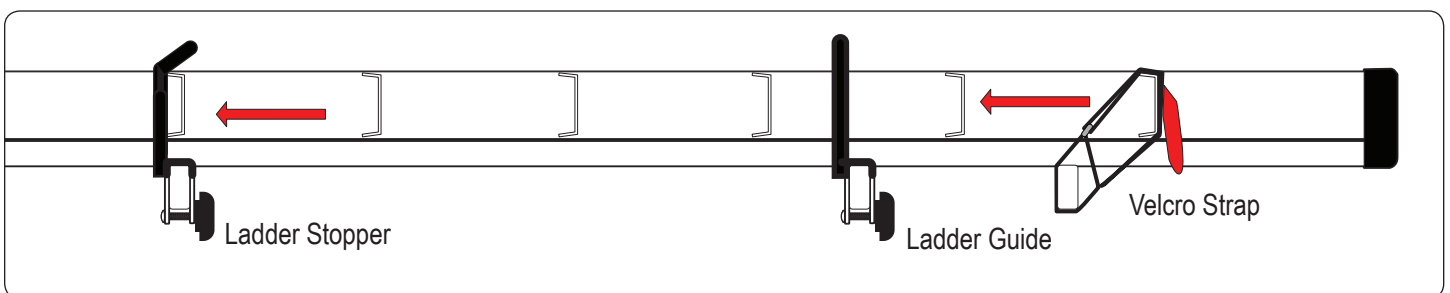
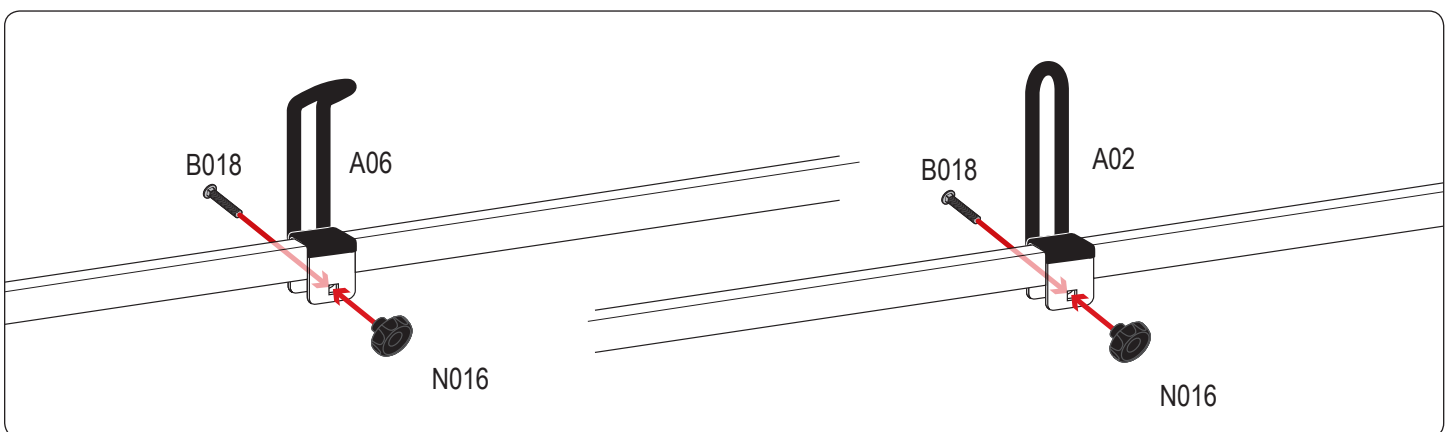
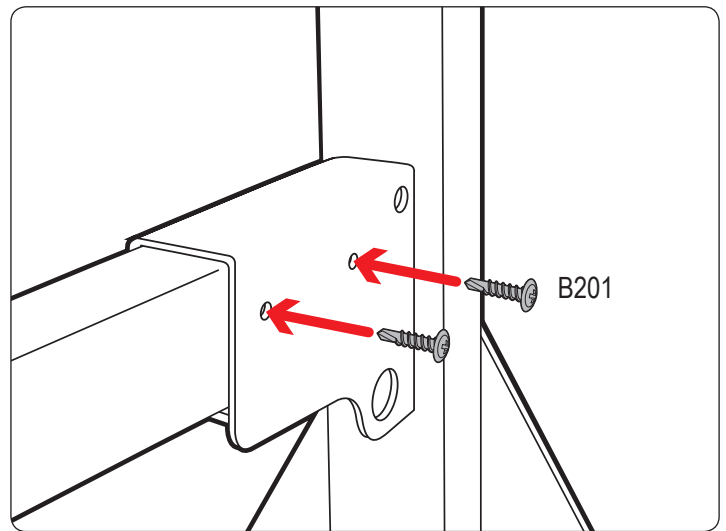
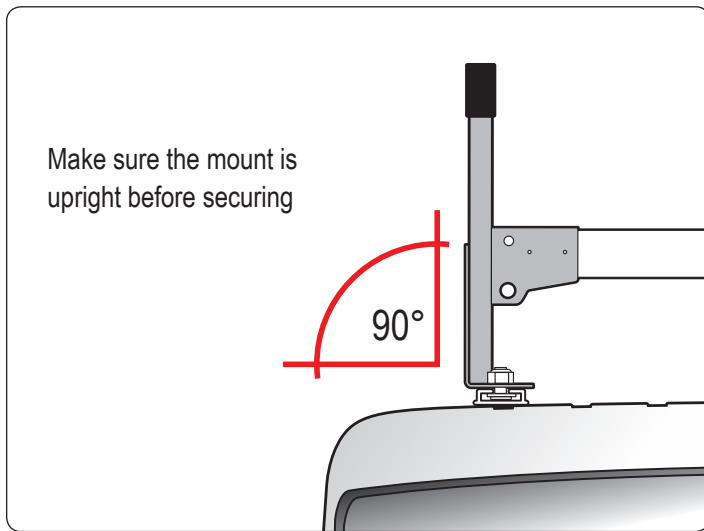
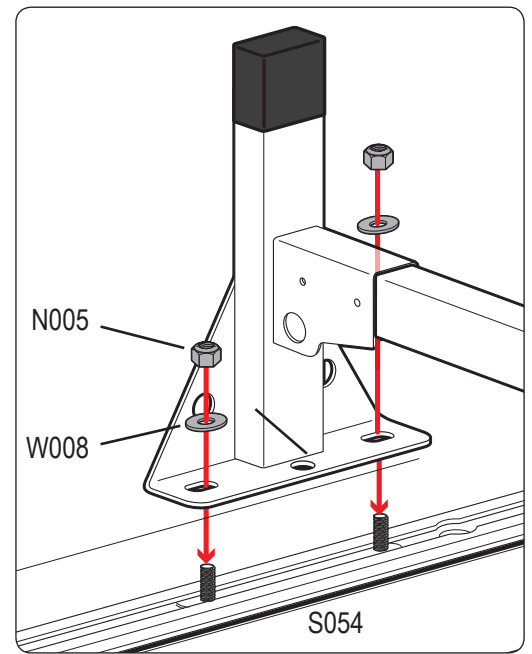
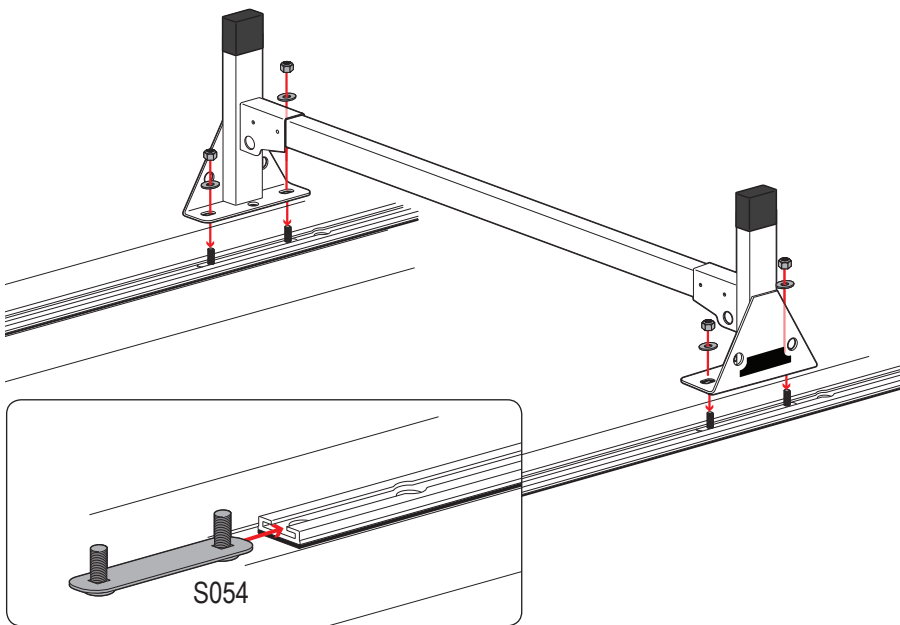
## Directions



## RUBBER BAR GUARDS

- Press the rubber bar guard into the channels of cross bars
- Leave 4" on each end





Vantech provides the best in truck and commercial van equipment.