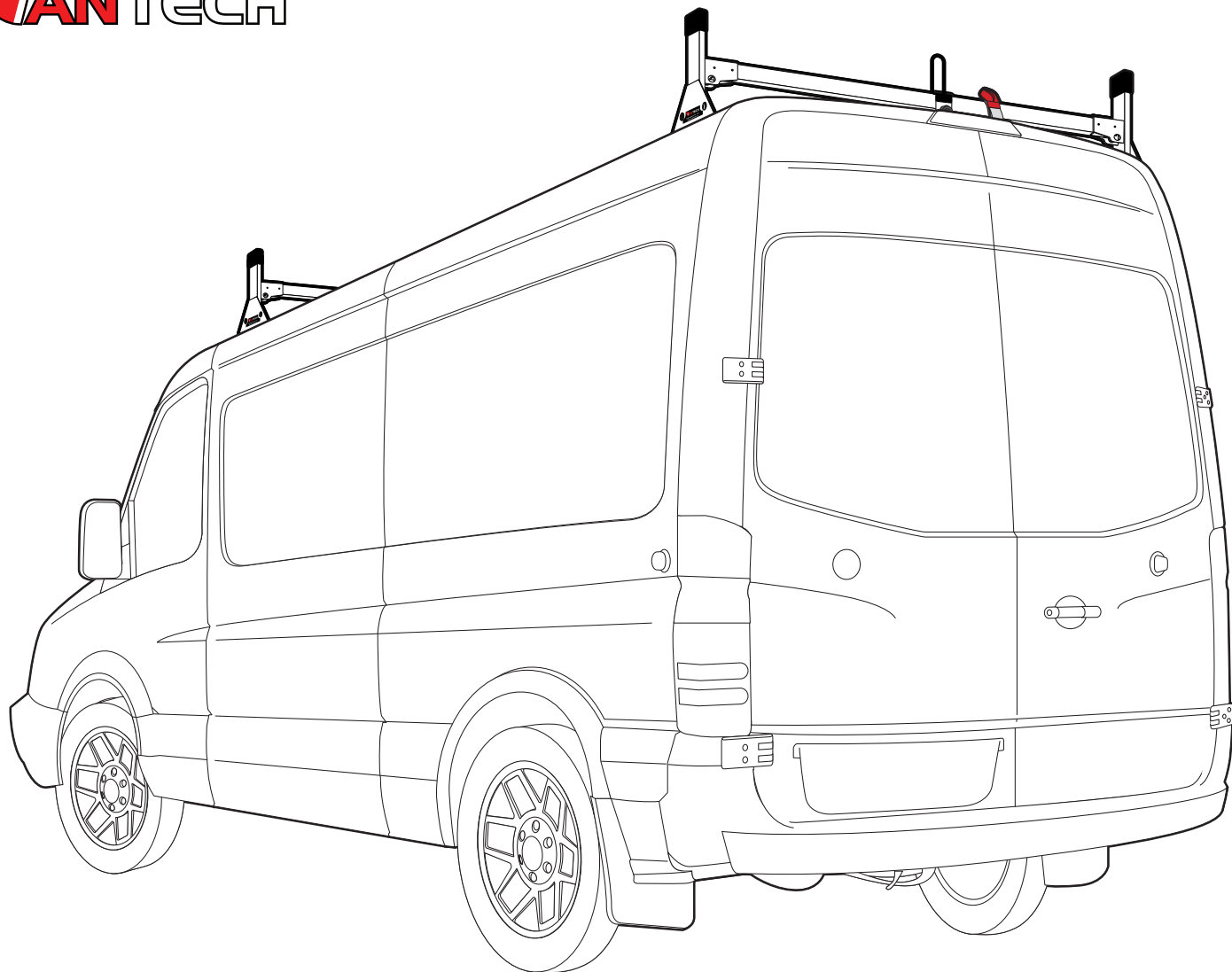


Warehouse Use Only

Part #	QUANTITY
D059	1
D109	1
H34W	4
A613-50W	2
BG542	2
A02	1
A06	1
A69	1

Part #:	H2665W
Dimensions:	8" X 8" X 51" (Telescopic)
Weight:	???





PRODUCT INFO

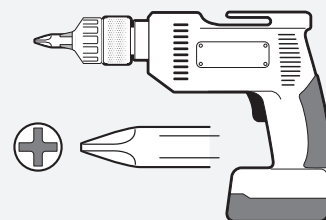
Part #: H2665W
System: H1 Series
Material: Aluminum
Fitment: Sprinter 2007-On (High Roof)
Color: White

Fastens onto factory tracks (if available)

Tracks sold seperately
Part# R20 / R21

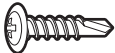
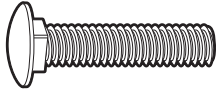


REQUIRED TOOLS

Power Tool With Phillips Head



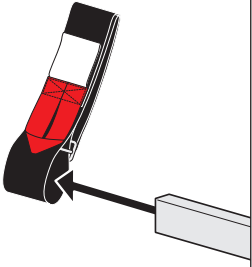
1/2" Wrench



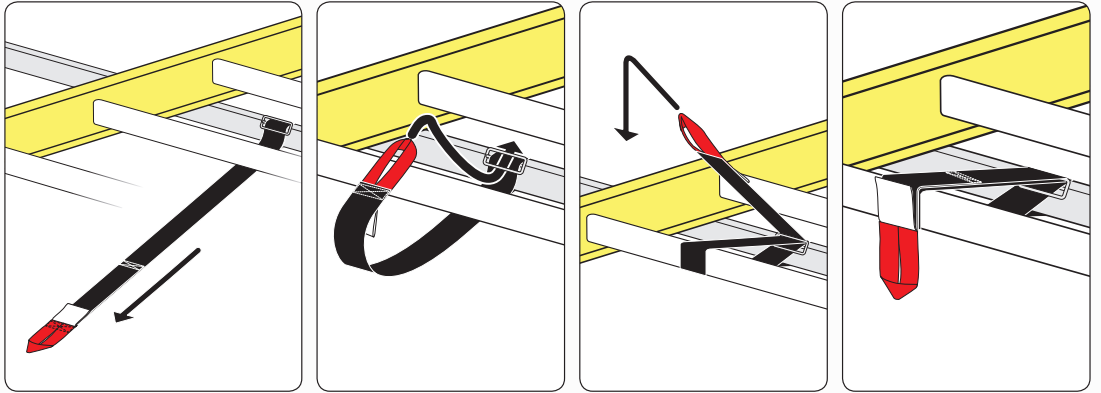
PART#	DESCRIPTION	QTY	ITEM
S054	5/16" DOUBLE SLIDER (5" BOLT TO BOLT)	4	
B201	TAP SCREW	8	
N005	5/16" NYLON NUT	8	
W008	5/16" X 3/4" WASHER	8	
B018	5/16" X 1 3/4" CARRIAGE BOLT	2	
N016	5/16" KNOB	2	
H34	H1 MOUNTING BASE	4	
A613-50	2" X 1" X 50" CROSS BAR	2	
A02	LADDER GUIDE	1	
A06	LADDER STOPPER	1	
A69	EZ-VELCRO STRAP	1	
BG542	RUBBER BAR GUARD 42"	2	

items not drawn to scale

EZ-Velcro Strap

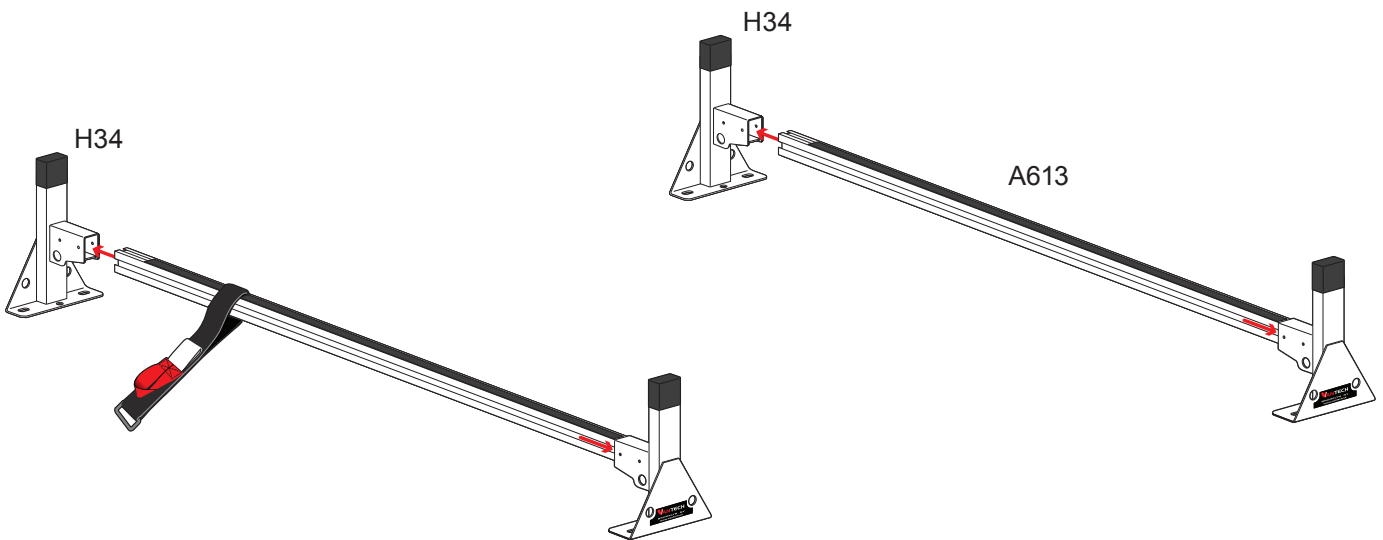


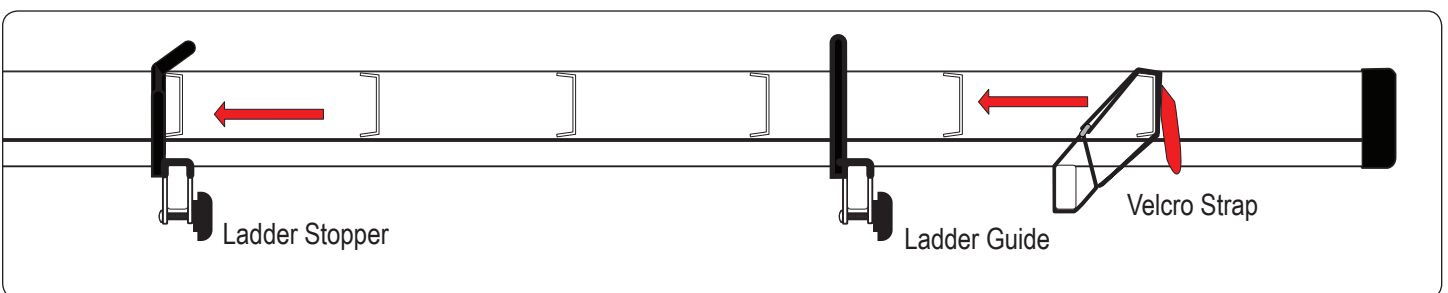
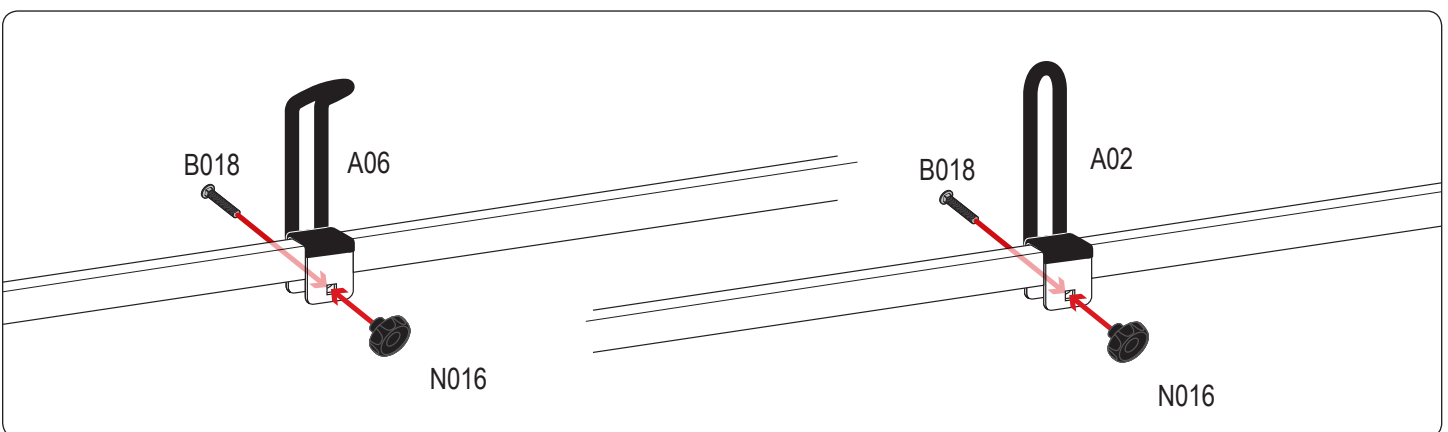
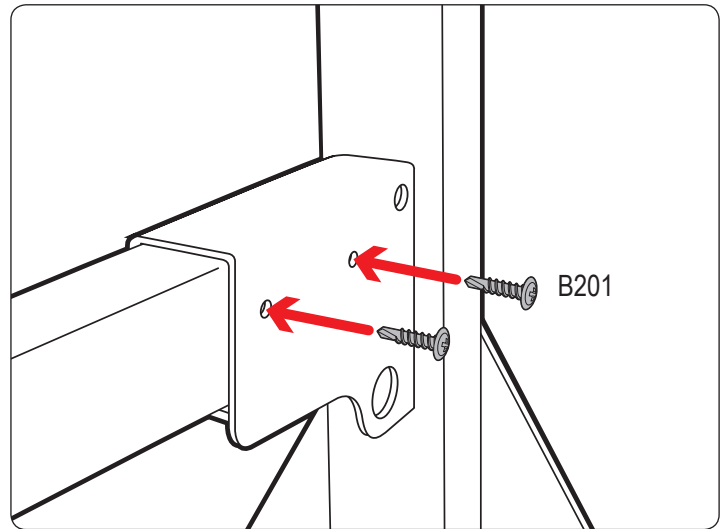
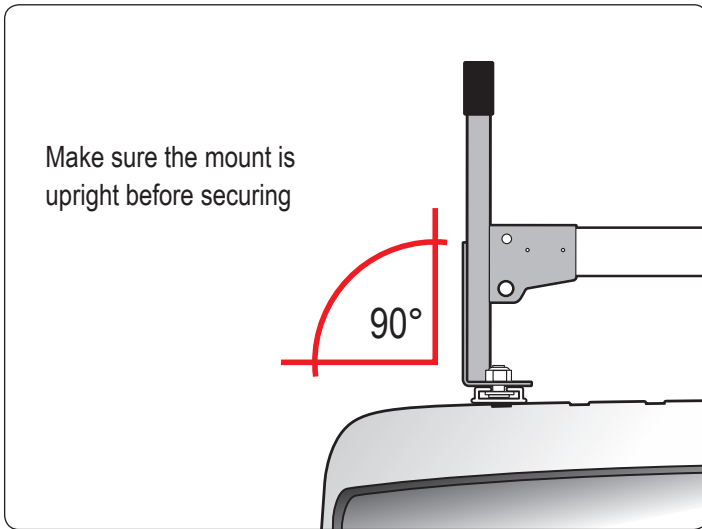
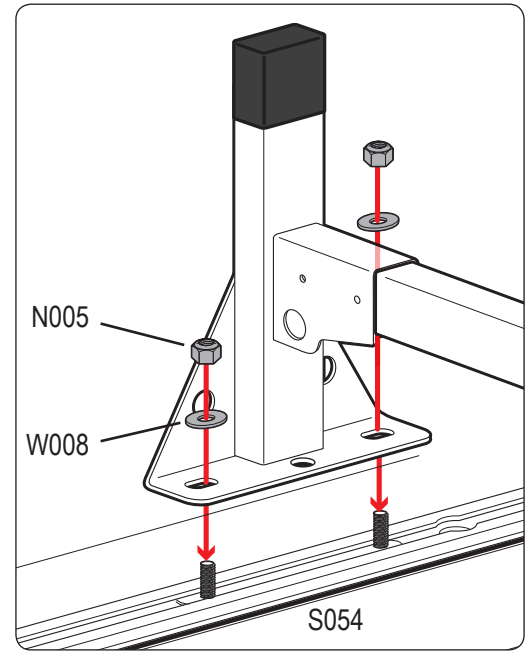
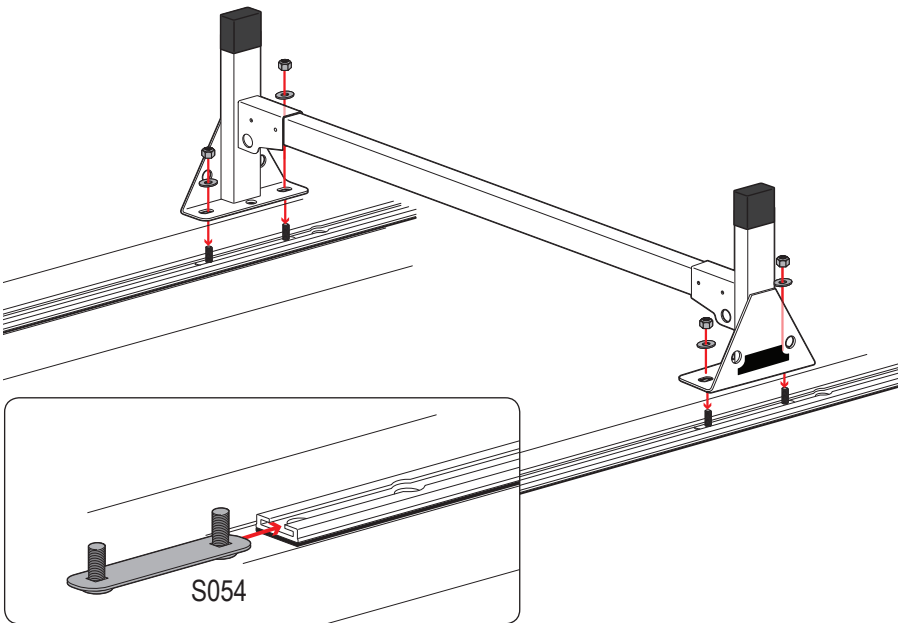
Directions



RUBBER BAR GUARDS

- Press the rubber bar guard into the channels of cross bars
- Leave 4" on each end





Vantech provides the best in truck and commercial van equipment.