

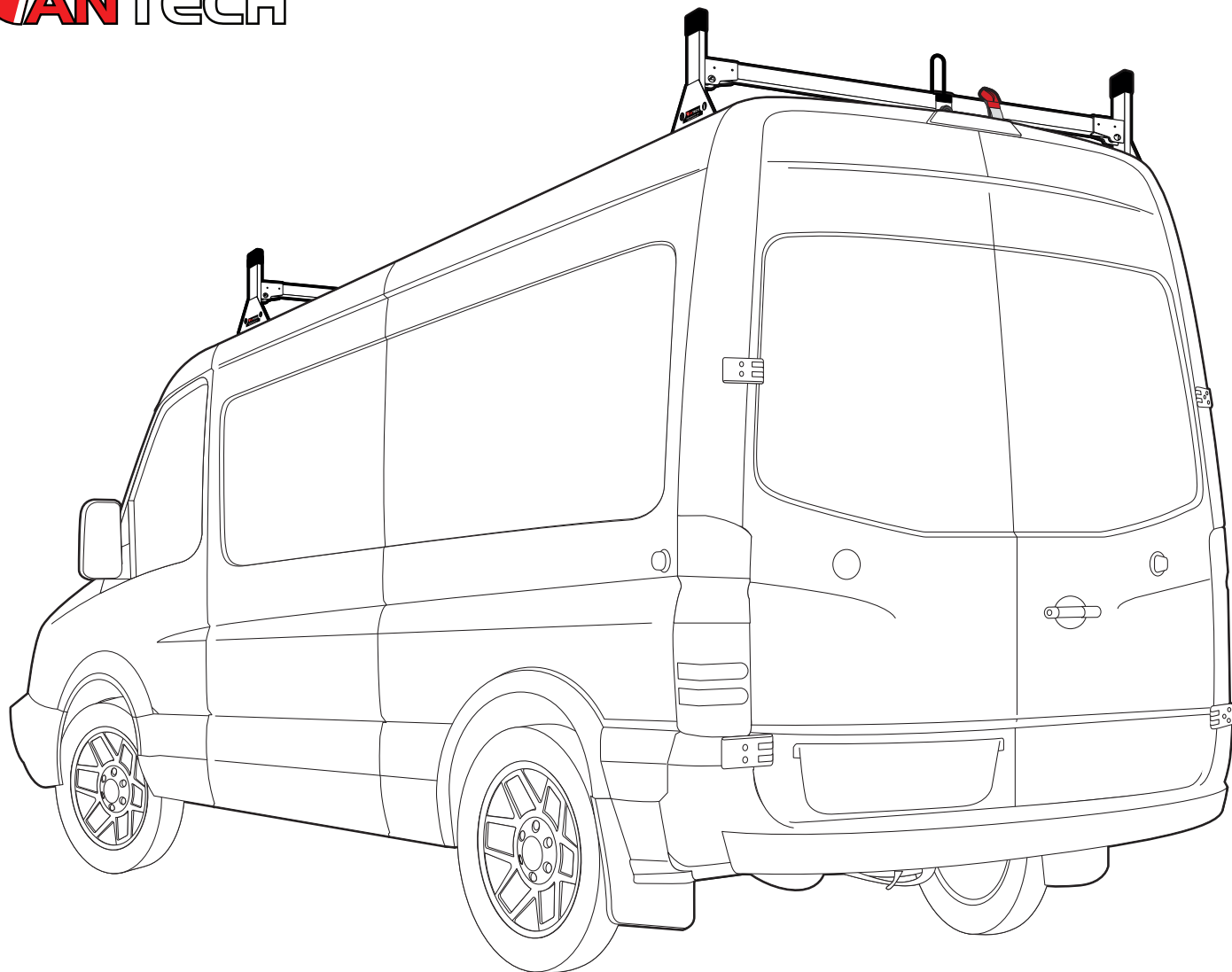
# Warehouse Use Only

---

Part #	QUANTITY
D059	1
D109	1
H34B	4
A613-50B	2
BG542	2
A02	1
A06	1
A69	1

Part #:	H2665B
Dimensions:	8" X 8" X 51" (Telescopic)
Weight:	???





## PRODUCT INFO

---

Part #: H2665B  
System: H1 Series  
Material: Aluminum  
Fitment: Sprinter 2007-On (High Roof)  
Color: Black

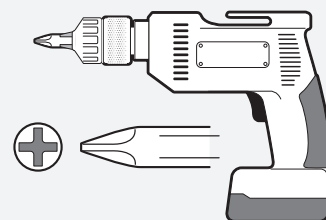
Fastens onto factory tracks (if available)

Tracks sold seperately  
Part# R20 / R21

## REQUIRED TOOLS

---

Power Tool With Phillips Head



1/2" Wrench



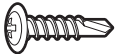
PART#	DESCRIPTION	QTY	ITEM
-------	-------------	-----	------


items not drawn to scale

S054	5/16" DOUBLE SLIDER (5" BOLT TO BOLT)	4	
------	---------------------------------------	---	---



B201	TAP SCREW	8	
------	-----------	---	---

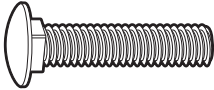


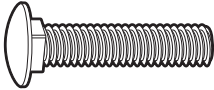
N005	5/16" NYLON NUT	8	
------	-----------------	---	---



W008	5/16" X 3/4" WASHER	8	
------	---------------------	---	---

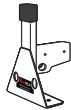


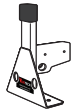
B018	5/16" X 1 3/4" CARRIAGE BOLT	2	
------	------------------------------	---	---




N016	5/16" KNOB	2	
------	------------	---	--



H34	H1 MOUNTING BASE	4	
-----	------------------	---	---



A613-50	2" X 1" X 50" CROSS BAR	2	
---------	-------------------------	---	---



A02	LADDER GUIDE	1	
-----	--------------	---	---



A06	LADDER STOPPER	1	
-----	----------------	---	---



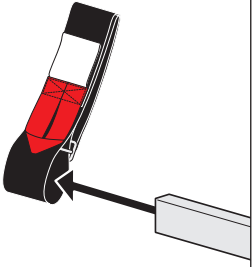
A69	EZ-VELCRO STRAP	1	
-----	-----------------	---	---



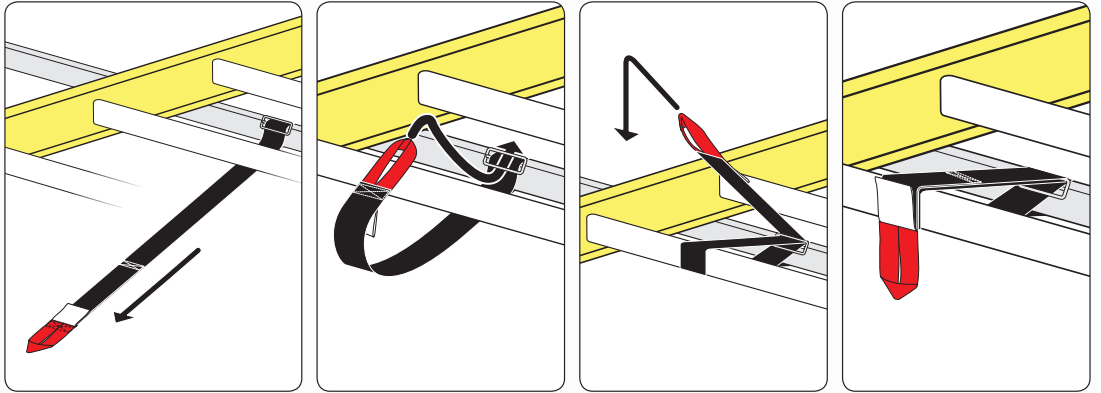
BG542	RUBBER BAR GUARD 42"	2	
-------	----------------------	---	---



## EZ-Velcro Strap

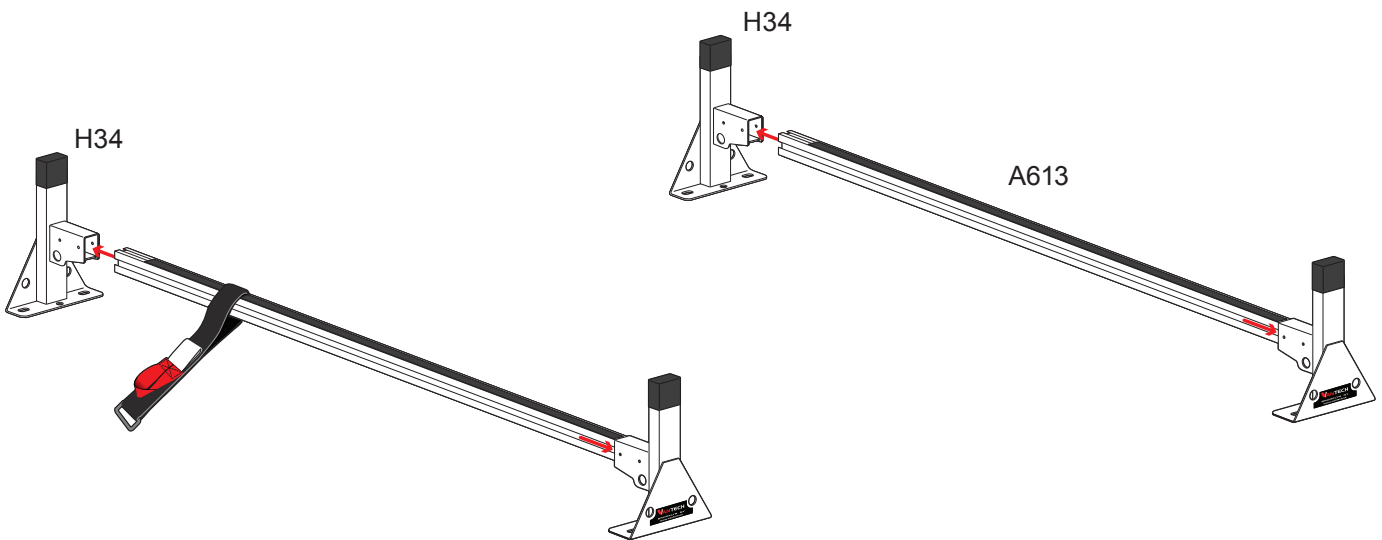


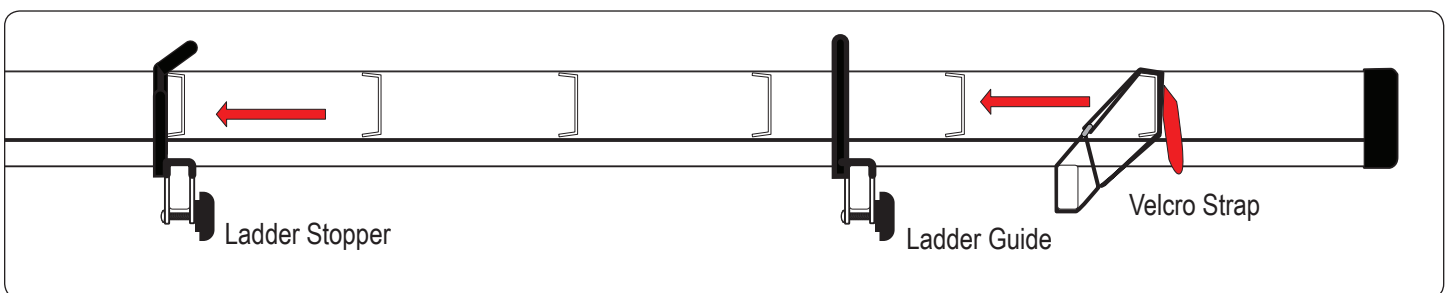
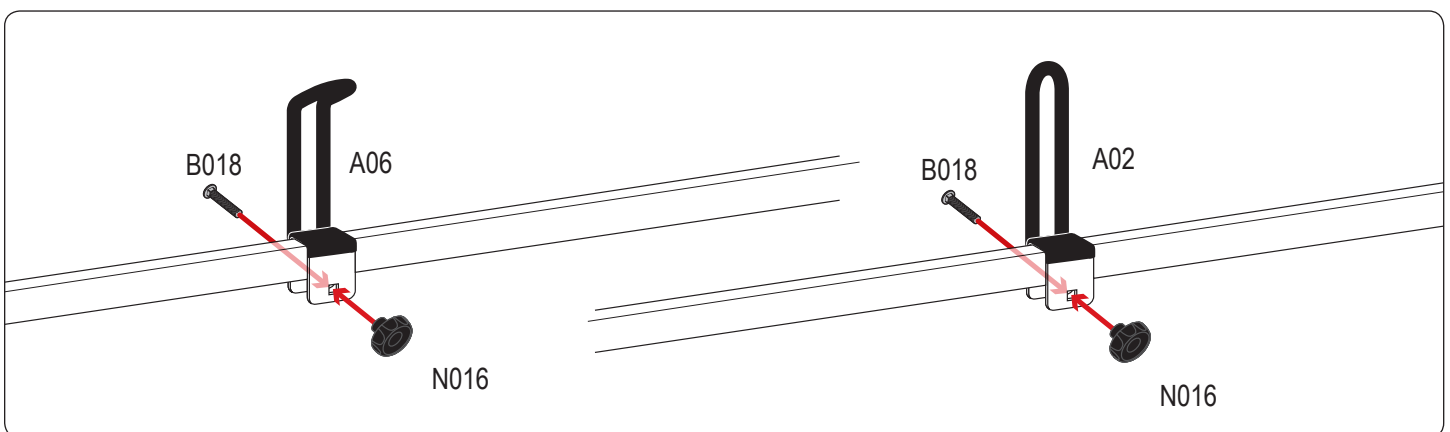
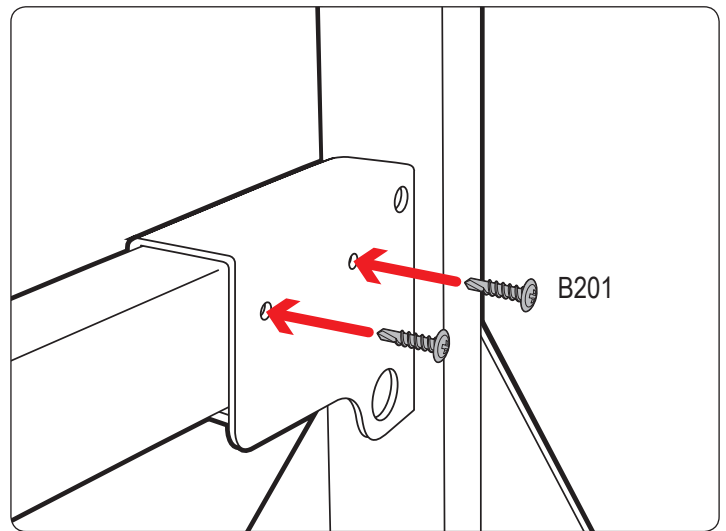
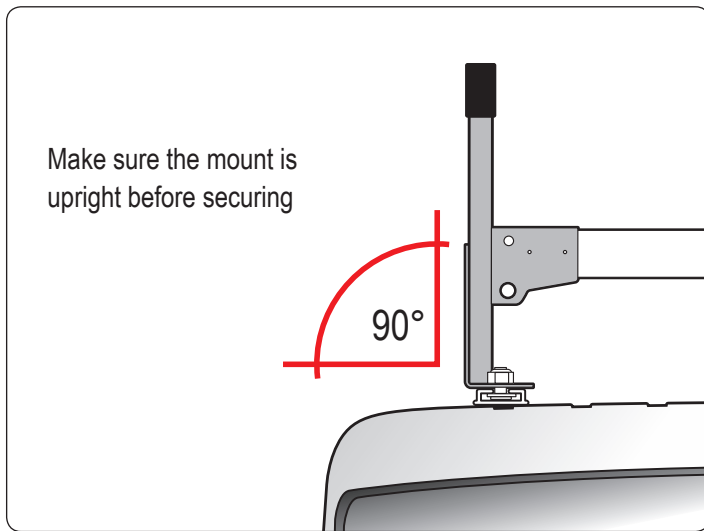
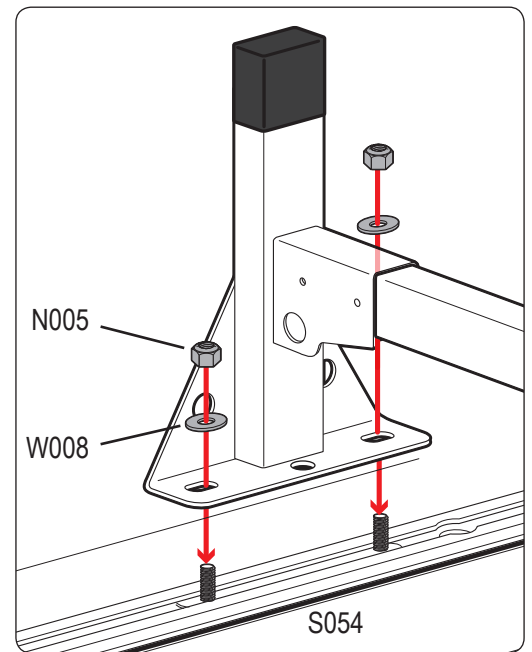
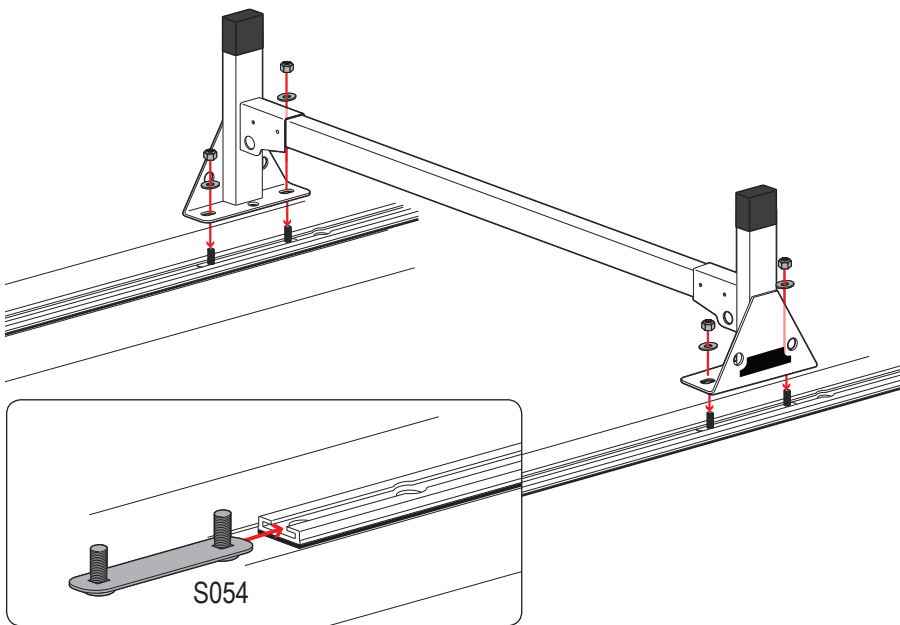
## Directions



## RUBBER BAR GUARDS

- Press the rubber bar guard into the channels of cross bars
- Leave 4" on each end





Vantech provides the best in truck and commercial van equipment.