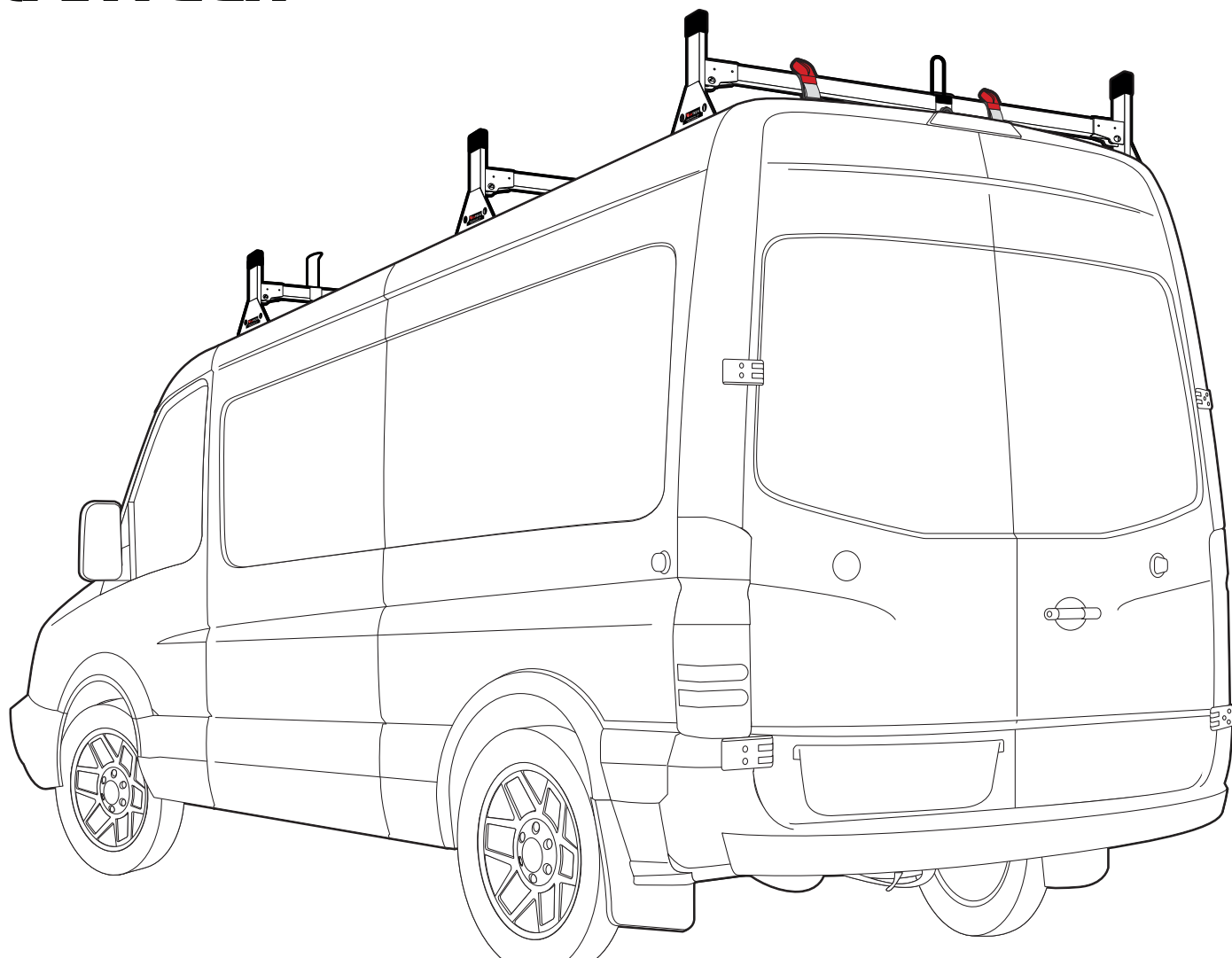


Warehouse Use Only

Part #	QUANTITY
D010	1
D112	1
H33W	6
A500-57W	3
BG049	3
A02	2
A06	2
A69	2

Part #:	H2652W
Dimensions:	8" X 8" X 58" (Telescopic)
Weight:	???





PRODUCT INFO

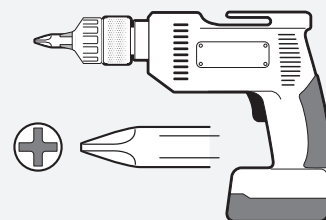
Part #: H2652W
System: H1 Series
Material: Steel
Fitment: Sprinter 2007-On (Low Roof)
Color: White

Fastens onto factory tracks (if available)

Tracks sold seperately
Part# R20 / R21


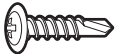


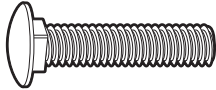

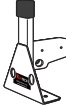





REQUIRED TOOLS

Power Tool With Phillips Head



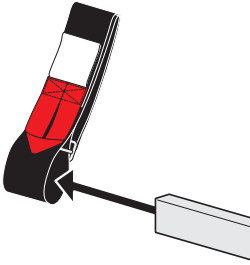
1/2" Wrench



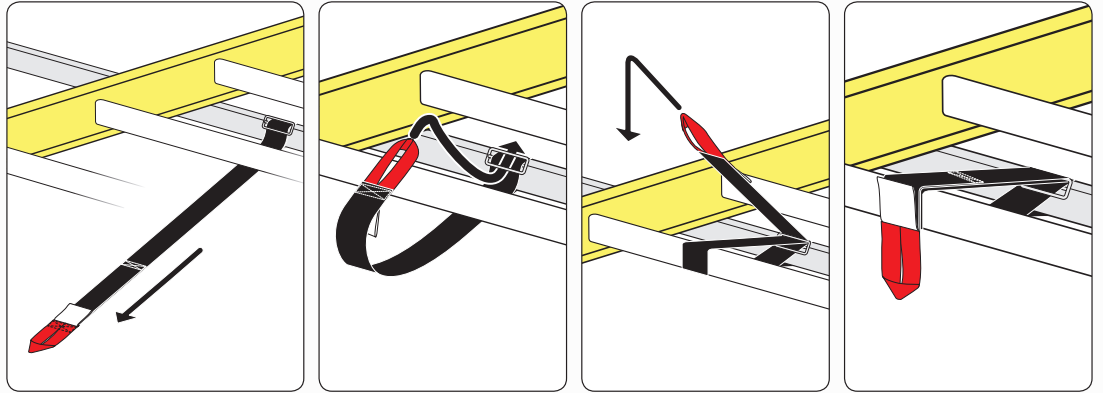
PART#	DESCRIPTION	QTY	ITEM
S054	5/16" DOUBLE SLIDER	6	
B201	TAP SCREW	12	
N005	5/16" NYLON NUT	12	
W008	5/16" X 3/4" WASHER	12	
B018	5/16" X 1 3/4" CARRIAGE BOLT	4	
N016	5/16" KNOB	4	
H33	H1 MOUNTING BASE	6	
A500-57	2" X 1" X 57" CROSS BAR	3	
A02	LADDER GUIDE	2	
A06	LADDER STOPPER	2	
A69	EZ-VELCRO STRAP	2	
BG049	PLASTIC BAR GUARD 49"	3	

items not drawn to scale

EZ-Velcro Strap



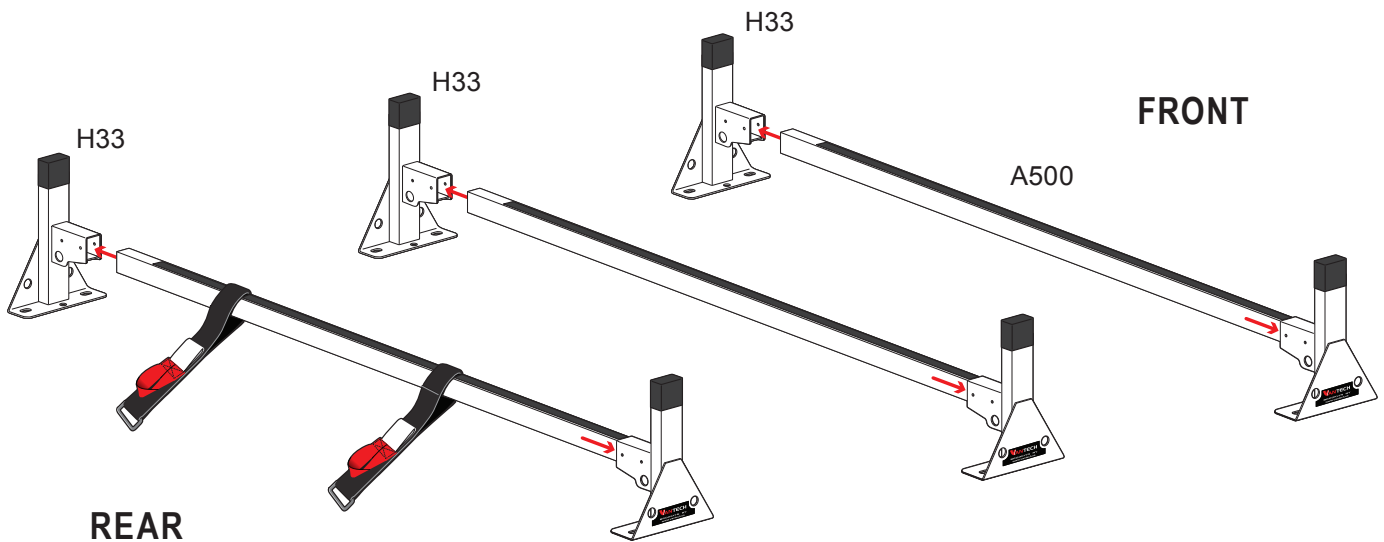
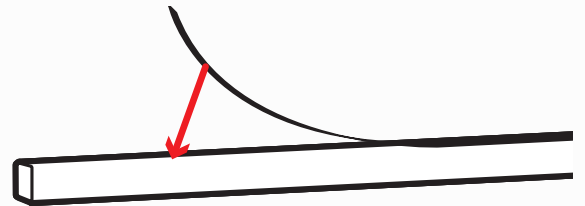
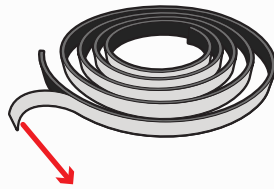
Directions

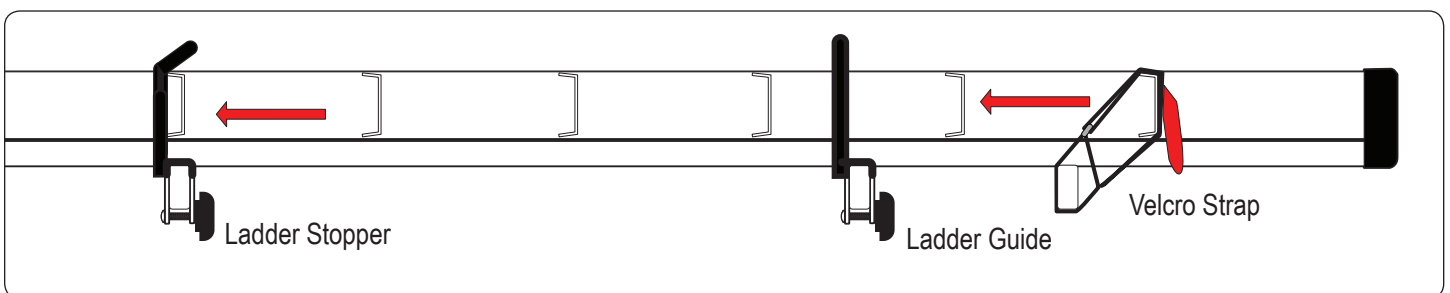
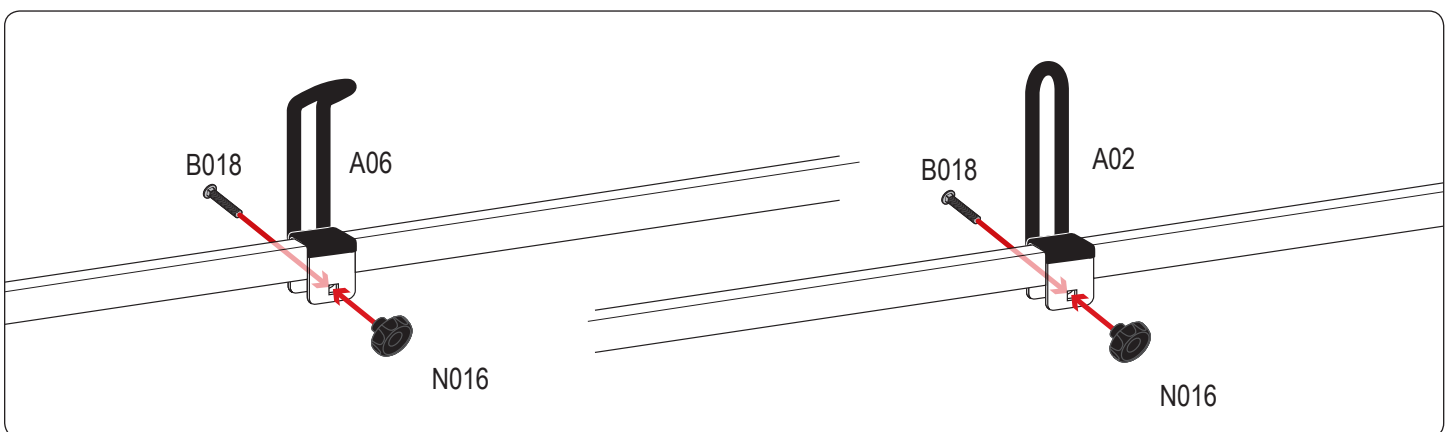
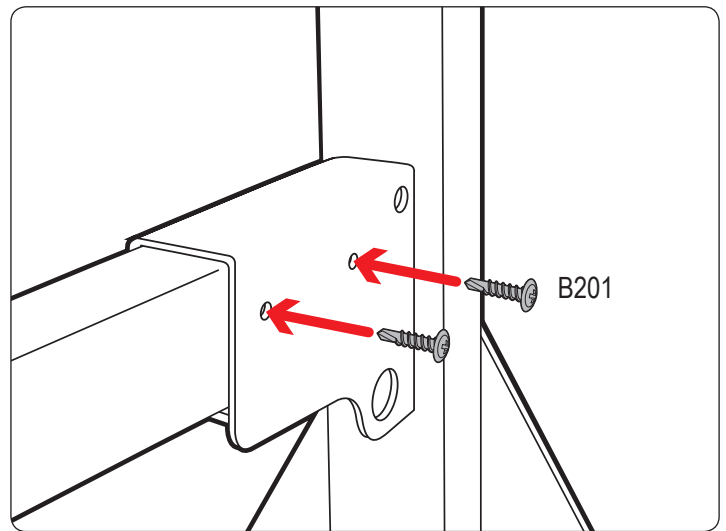
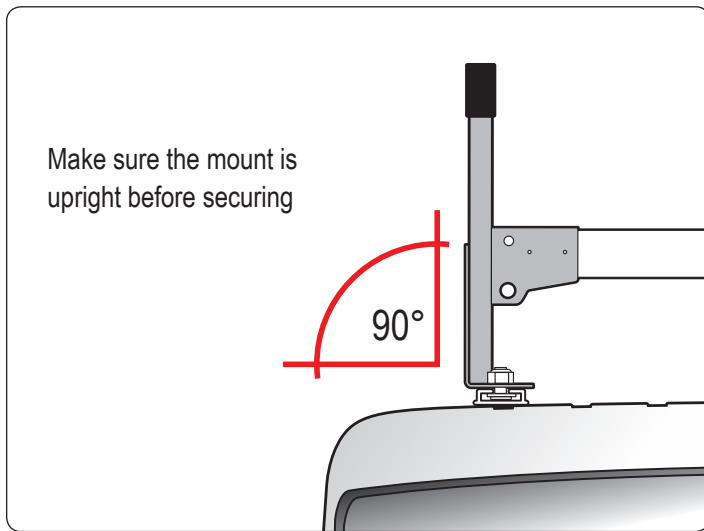
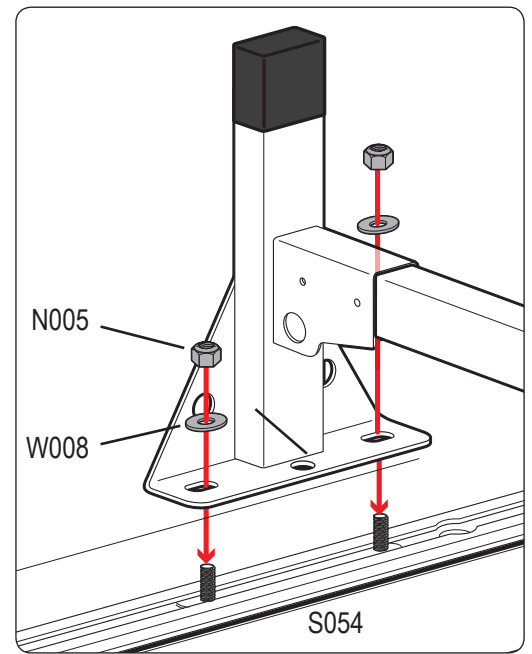
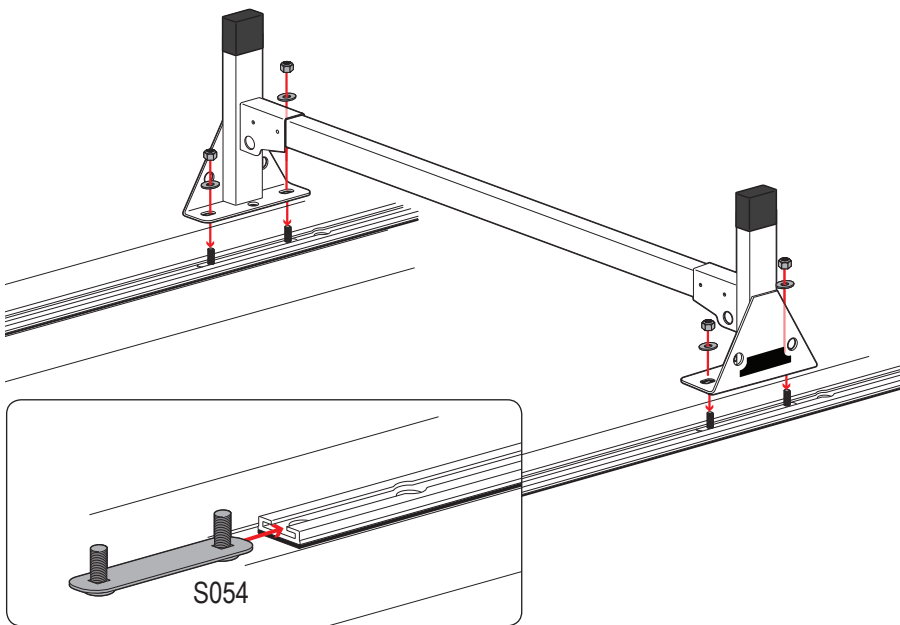


PLASTIC BAR GUARDS FOR STEEL CROSS BARS

- Remove wax paper from plastic bar guard and adhere it to the top of the Cross Bar.

- Leave 4" on each end





Vantech provides the best in truck and commercial van equipment.