

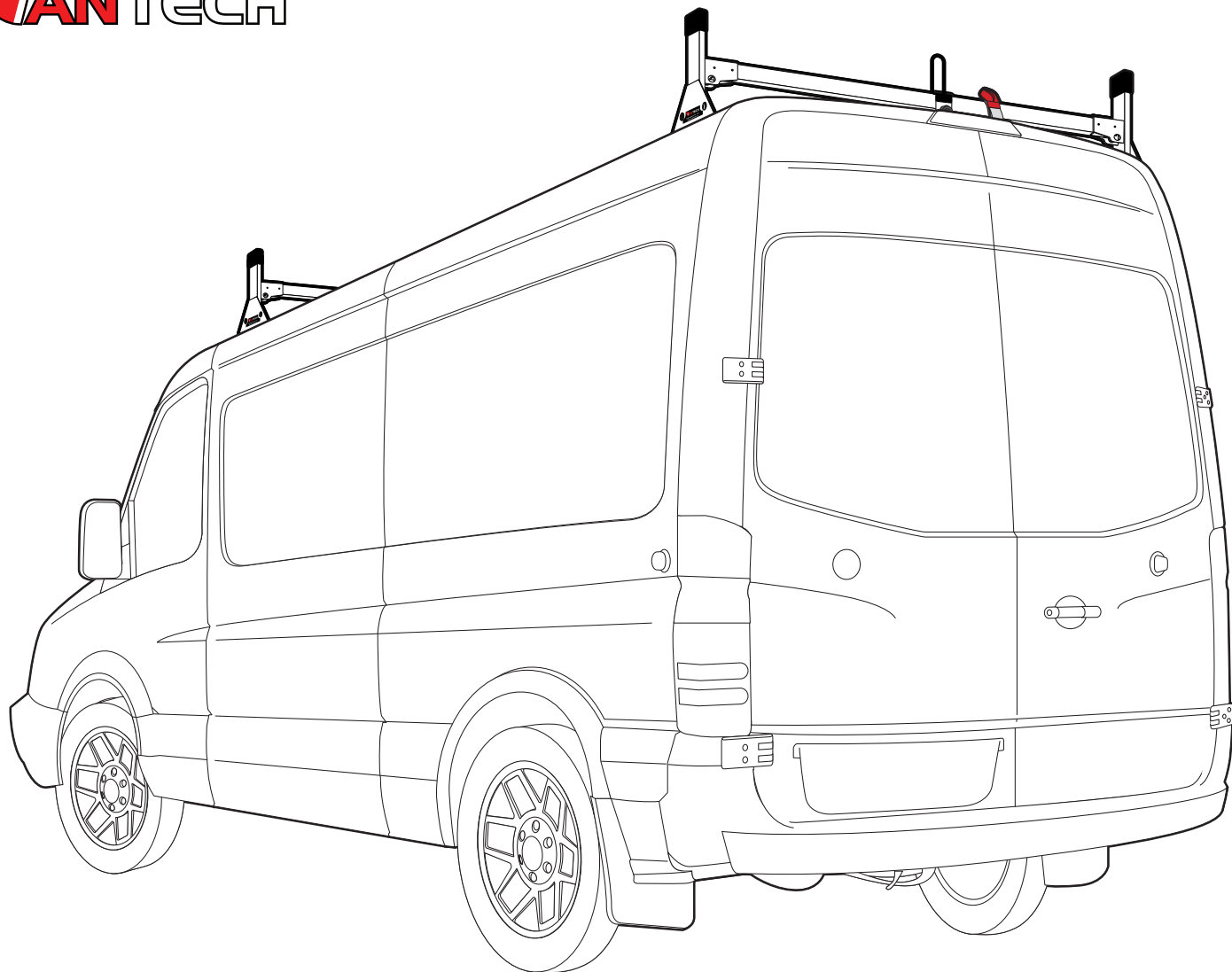
# Warehouse Use Only

---

Part #	QUANTITY
D059	1
D109	1
H34W	4
A613-57W	2
BG549	2
A02	1
A06	1
A69	1

Part #:	H2641W
Dimensions:	8" X 8" X 58" (Telescopic)
Weight:	???





## PRODUCT INFO

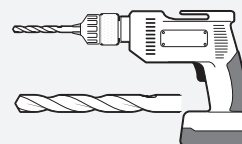
Part #: H2641W  
System: H1 Series  
Material: Aluminum  
Fitment: Sprinter 2007-On (Low Roof)  
Color: White

Fastens onto factory tracks (if available)

Tracks sold separately  
Part# R20 / R21

## REQUIRED TOOLS

Power Tool

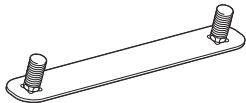
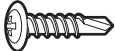


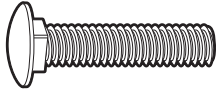

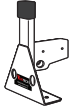







Phillips Head



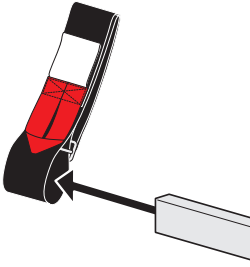
1/2" Wrench



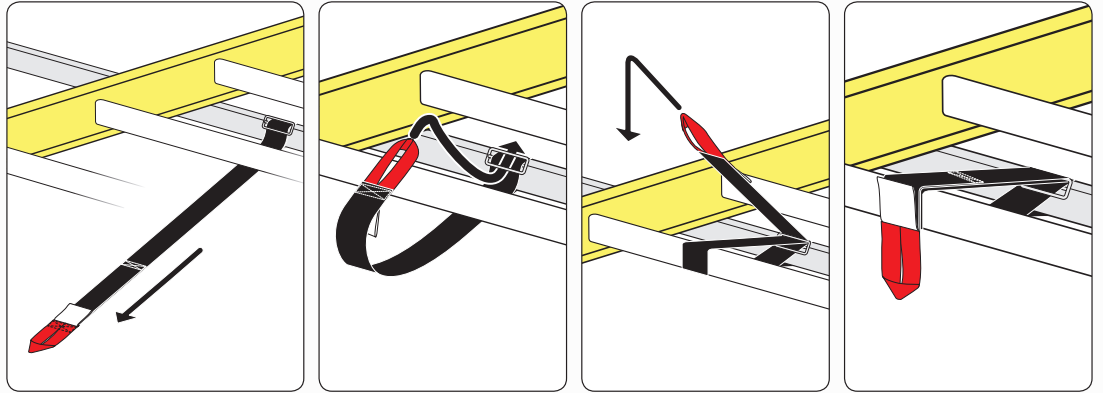
PART#	DESCRIPTION	QTY	ITEM
S054	5/16" DOUBLE SLIDER	4	
B201	TAP SCREW	8	
N005	5/16" NYLON NUT	8	
W008	5/16" X 3/4" WASHER	8	
B018	5/16" X 1 3/4" CARRIAGE BOLT	2	
N016	5/16" KNOB	2	
H34	H1 MOUNTING BASE	4	
A613-57	2" X 1" X 57" CROSS BAR	2	
A02	LADDER GUIDE	1	
A06	LADDER STOPPER	1	
A69	EZ-VELCRO STRAP	1	
BG549	RUBBER BAR GUARD 49"	2	

items not drawn to scale

### EZ-Velcro Strap

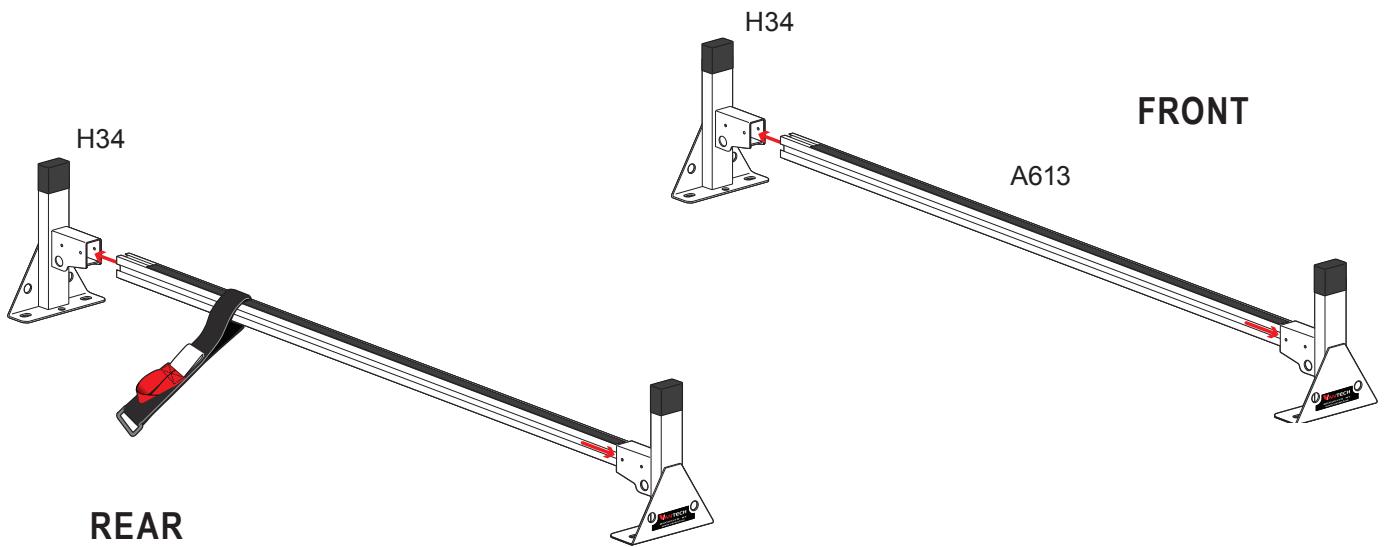


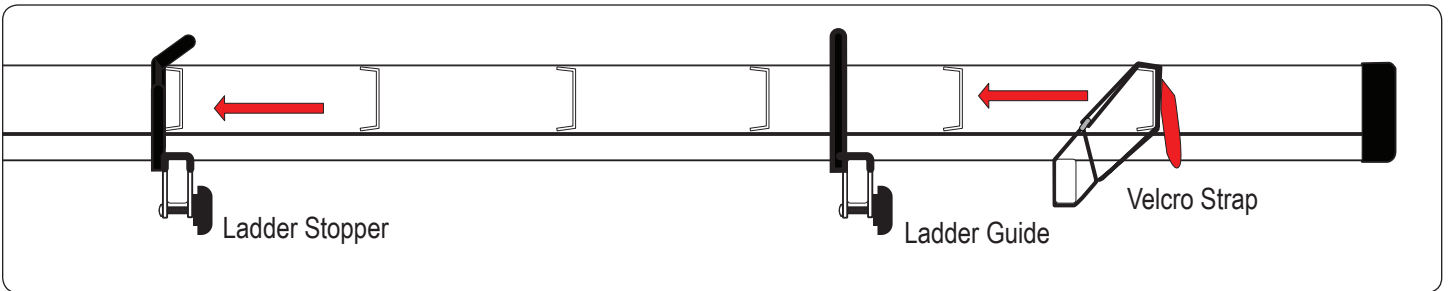
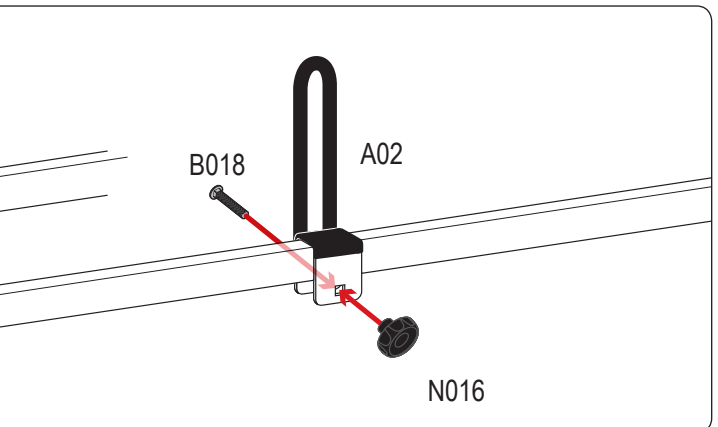
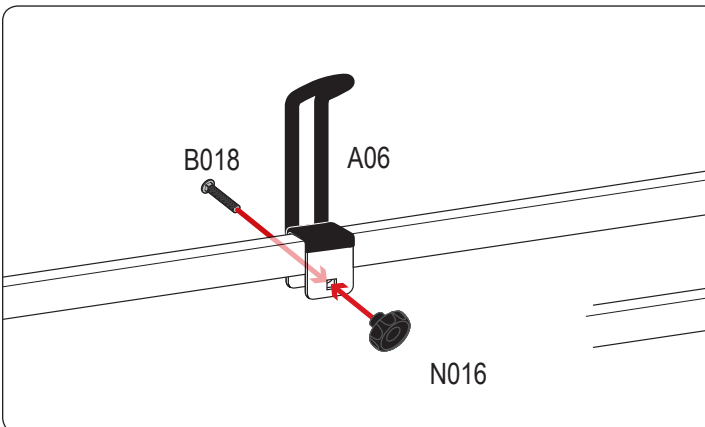
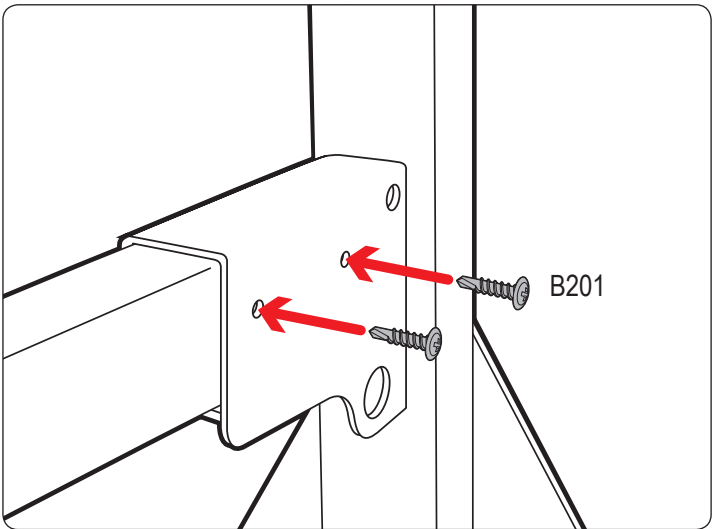
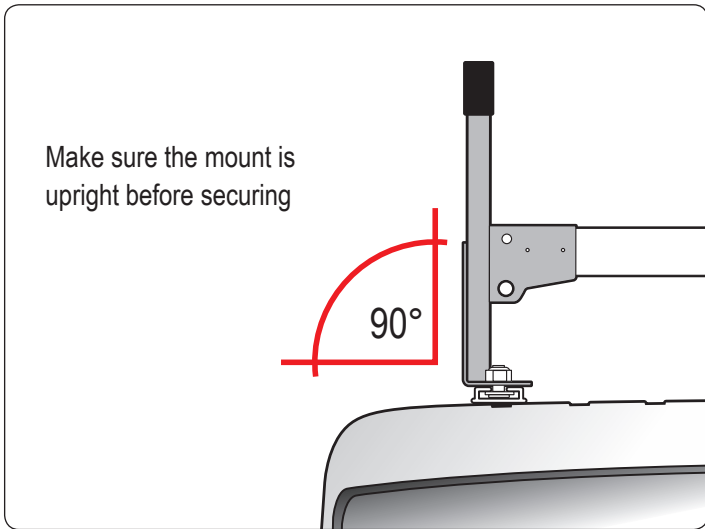
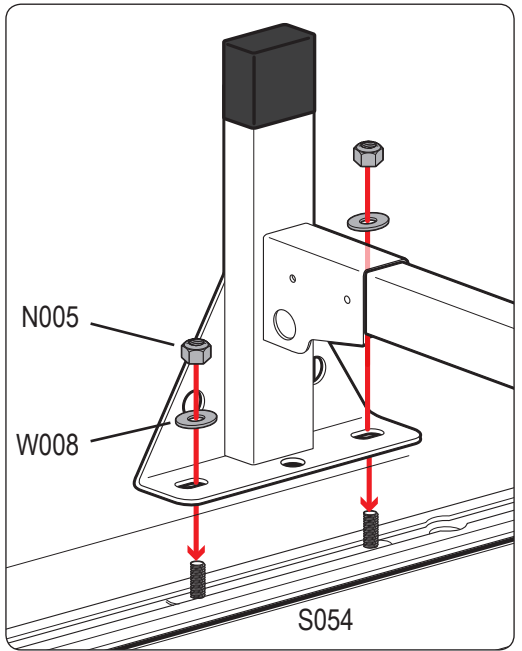
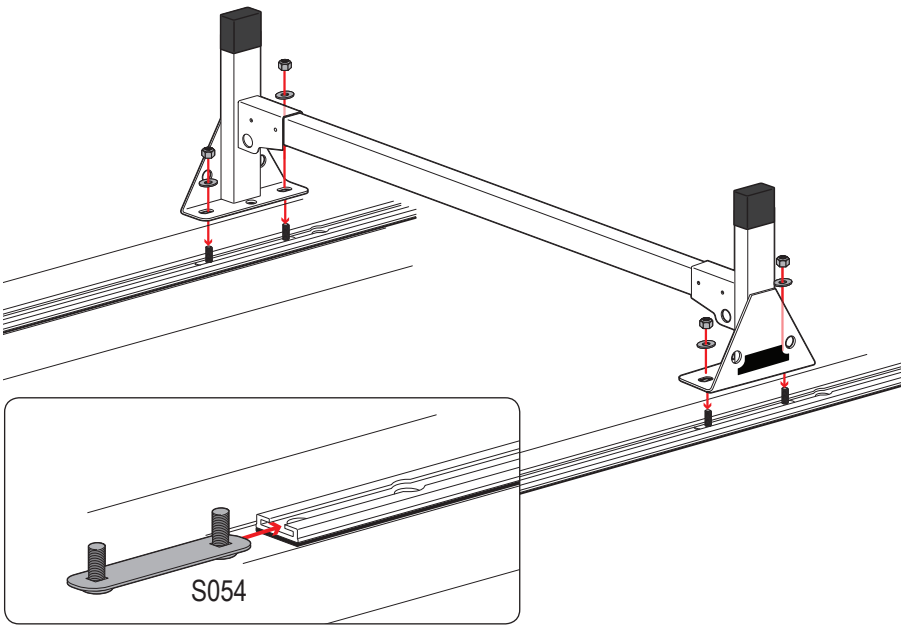
### Directions



### RUBBER BAR GUARDS

- Press the rubber bar guard into the channels of cross bars
- Leave 4" on each end





Vantech provides the best in truck and commercial van equipment.