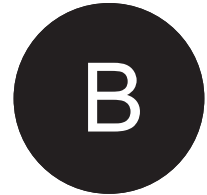


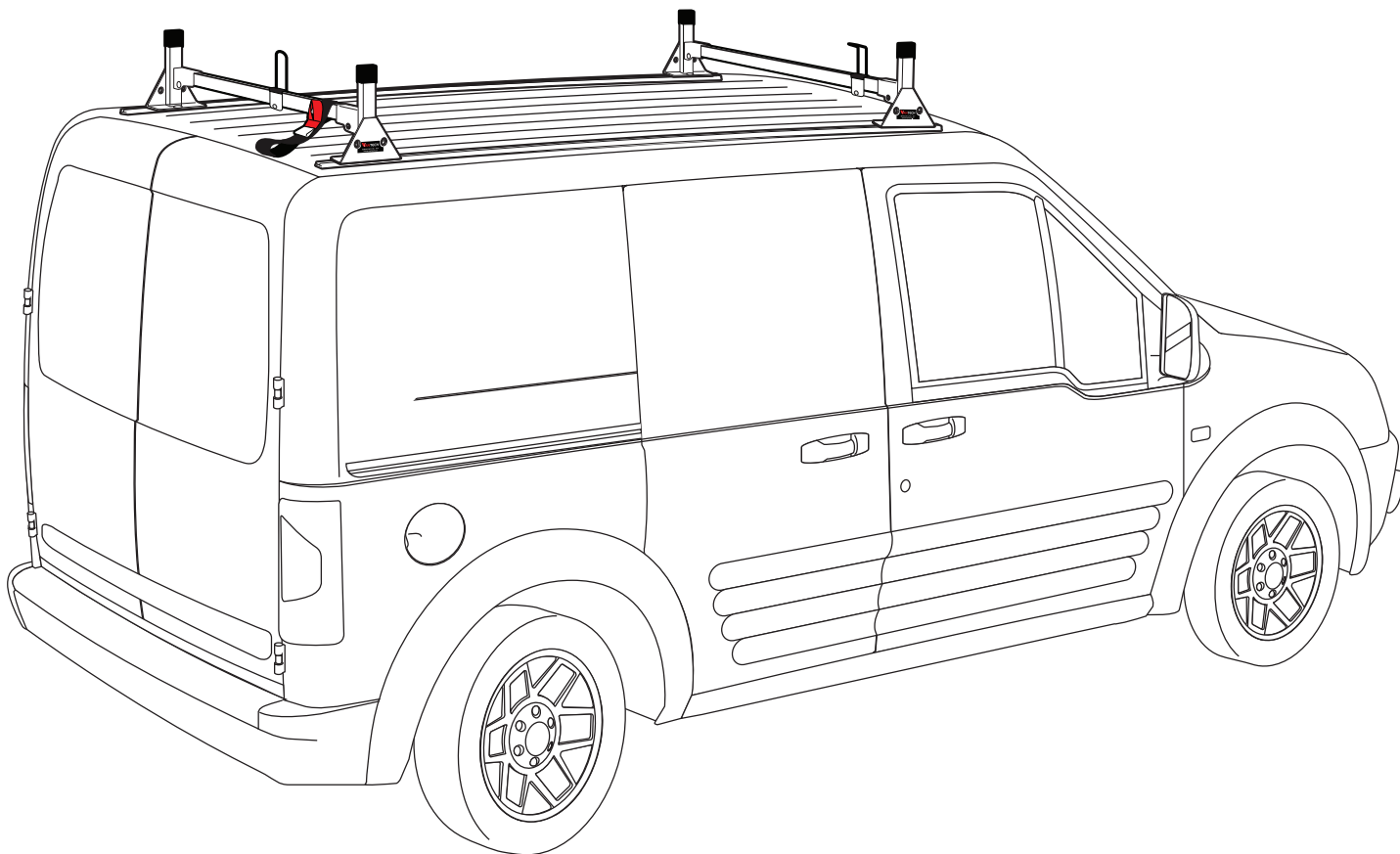
# Warehouse Use Only

---

Part #	QUANTITY
D059	1
D109	1
D202	1
H34B	4
A613-39B	2
R16	2
A02	1
A06	1
A69	1
G069	2
BG531	2

Part #:	H2167B
Dimensions:	8" X 8" X 70" (Telescopic)
Weight:	???





## PRODUCT INFO

Part #: H2167B  
System: H1 Series  
Material: Aluminum  
Fitment: Transit Connect 2008-13  
Color: Black

## REQUIRED TOOLS

7/16" Wrench



1/2" Wrench



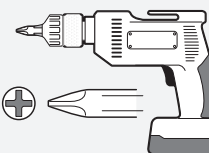
9/16" Wrench



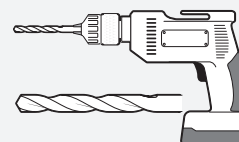
Marker


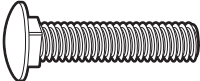
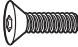
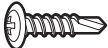
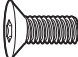
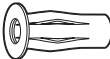












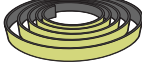



Power Tool  
with Phillips Head

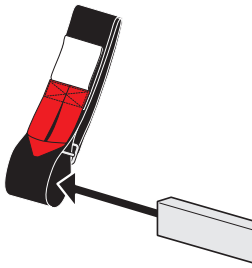


Power Tool  
with 3/8" Drill Bit

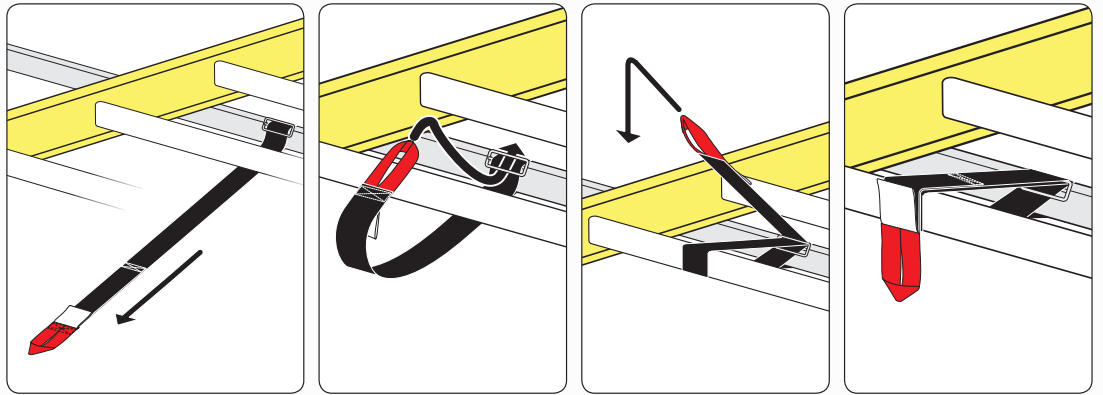


PART #	DESCRIPTION	QTY	ITEM ITEM NOT DRAWN TO SCALE
S054	5/16" DOUBLE SLIDER	4	
B018	5/16" X 1 3/4" CARRIAGE BOLT	2	
B152	1/4" X 1" COUNTER SUNK (FOR ANCHOR)	2	
B201	TAP SCREW	8	
B205	M8 OE REPLACEMENT COUNTER SUNK	4	
N024	1/4" PLUS NUT	2	
N005	5/16" NYLON NUT	8	
W008	5/16" X 3/4" WASHER	8	
N016	5/16" KNOB	2	
B056	(TOOL) 1/4" X 2" HEX BOLT	1	
N019	(TOOL) 1/4" PLUS NUT	1	
W004	(TOOL) 1/4" X 1/2" WASHER	1	
H34	H1 MOUNTING BASE	4	
A613-39	2" X 1" X 39" CROSS BAR	2	
R16	69.5" TRANSIT CONNECT TRACK	2	
A02	LADDER GUIDE	1	
A06	LADDER STOPPER	1	
A69	EZ-VELCRO STRAP	1	
G069	1.5" X 69.5" GASKET	2	
BG531	PLASTIC BAR GUARD 31"	2	

### EZ-Velcro Strap

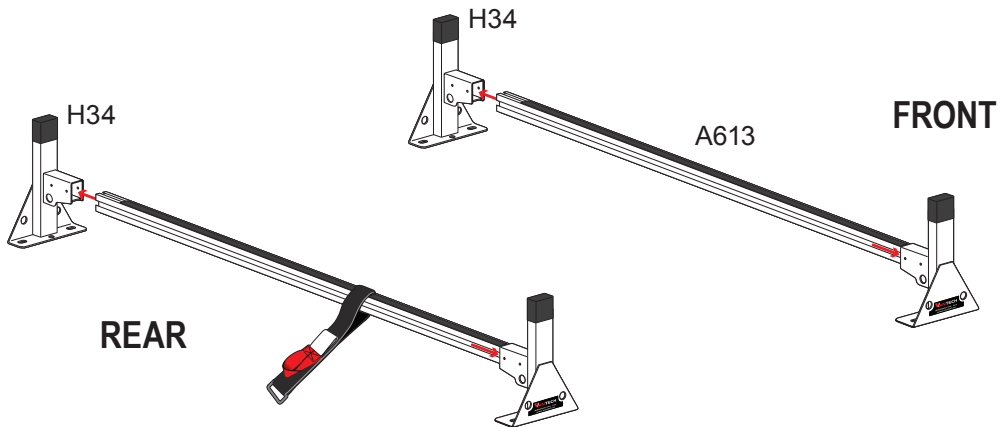


### Directions

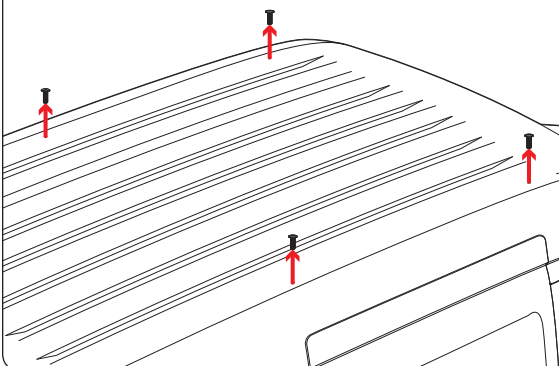


### RUBBER BAR GUARDS

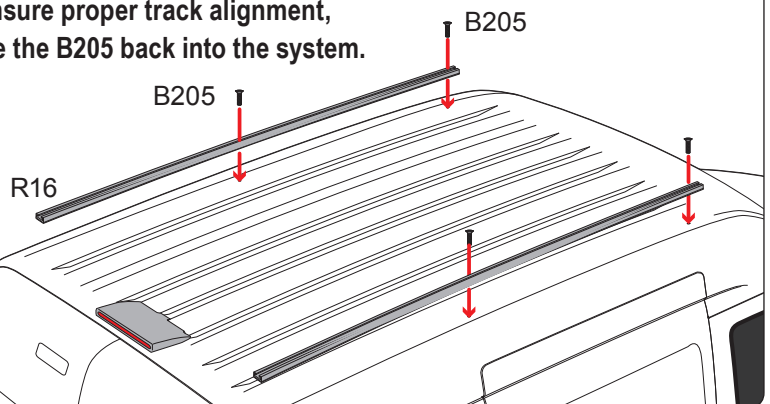
- Press the rubber bar guard into the channels of cross bars
- Leave 4" on each end

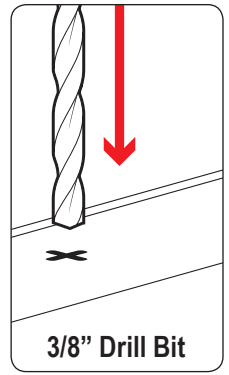
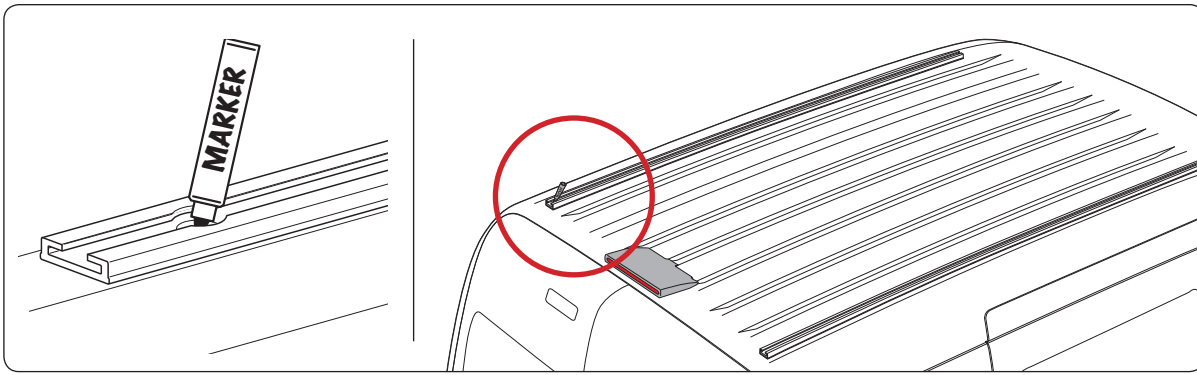


### Remove Factory OE Bolts



\*To Ensure proper track alignment, secure the B205 back into the system.





**PLUS NUT INSTALLATION**

