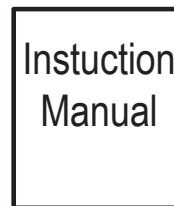
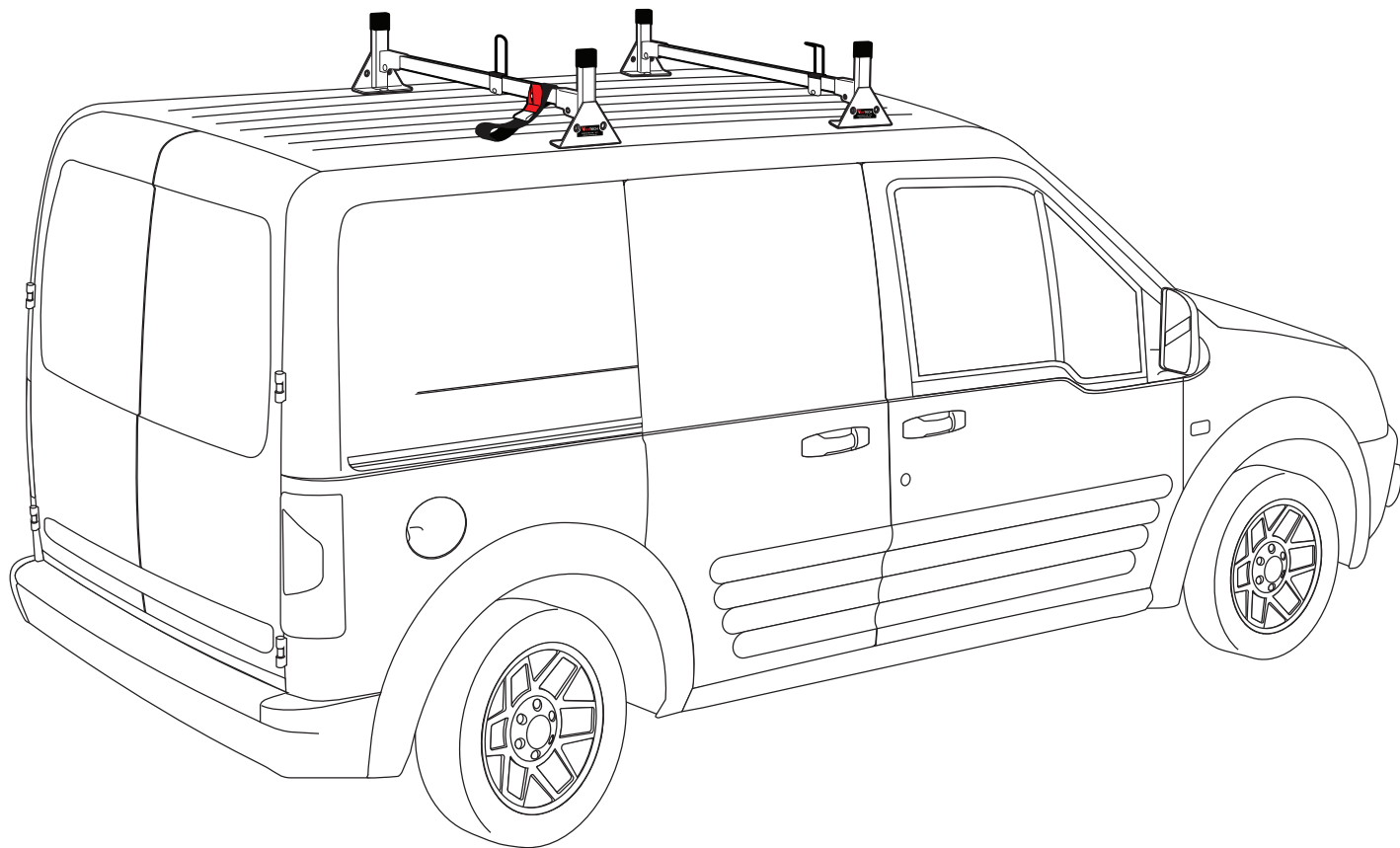


Warehouse Use Only

Part #	QUANTITY
D013	1
D111	1
G308	4
H33B	4
A500-39B	2
BG031	2
A02	1
A06	1
A69	1

Part #:	H2161B
Dimensions:	8" X 8" X 40" (Telescopic)
Weight:	???



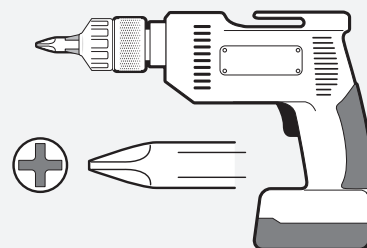


PRODUCT INFO

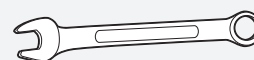
Part #: H2161B
System: H1 Series
Material: Steel
Fitment: Transit Connect 2008-13
Color: Black

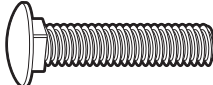
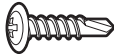






REQUIRED TOOLS

Power Tool with Phillips Head

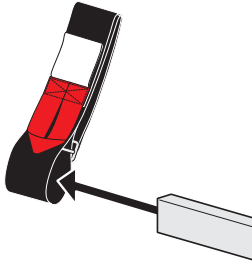


1/2" Wrench

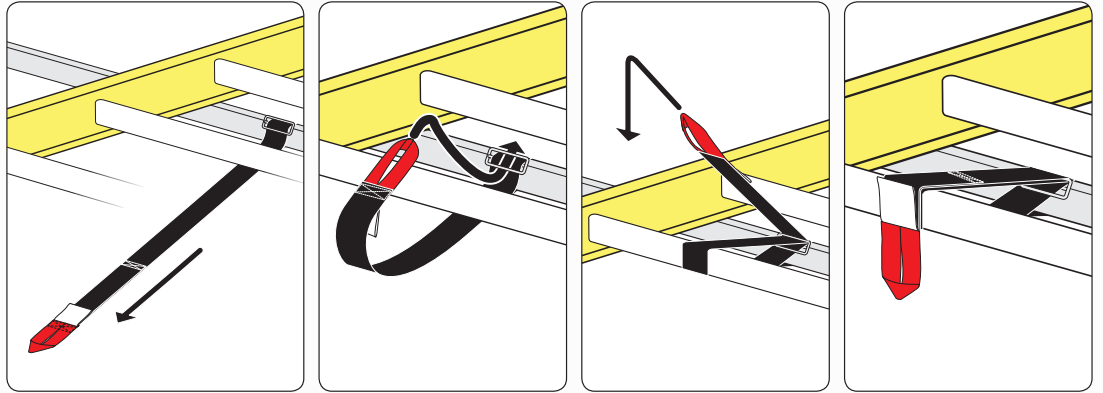


PART #	DESCRIPTION	QTY	ITEM ITEM NOT DRAWN TO SCALE
B018	5/16" X 1 3/4" CARRIAGE BOLT	2	
B243	M8-20 HEX BOLT	4	
B201	TAP SCREW	8	
N005	5/16" NYLON NUT	8	
W008	5/16" X 3/4" WASHER	4	
W022	5/16" LOCK WASHER	4	
N016	5/16" KNOB	2	
H33	H1 MOUNTING BASE	4	
A500-39	2" X 1" X 39" CROSS BAR	2	
R16	69.5" TRANSIT CONNECT TRACK	2	
A02	LADDER GUIDE	1	
A06	LADDER STOPPER	1	
A69	EZ-VELCRO STRAP	1	
G308	2" X 8" GASKET	4	
BG031	PLASTIC BAR GUARD 31"	2	

EZ-Velcro Strap



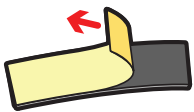
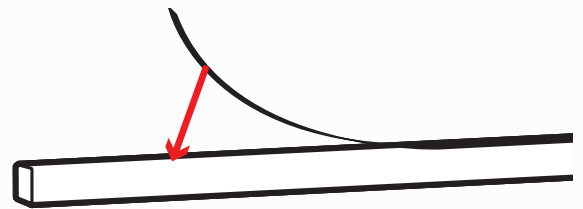
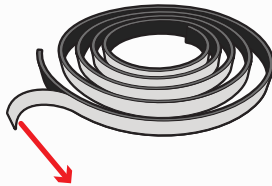
Directions



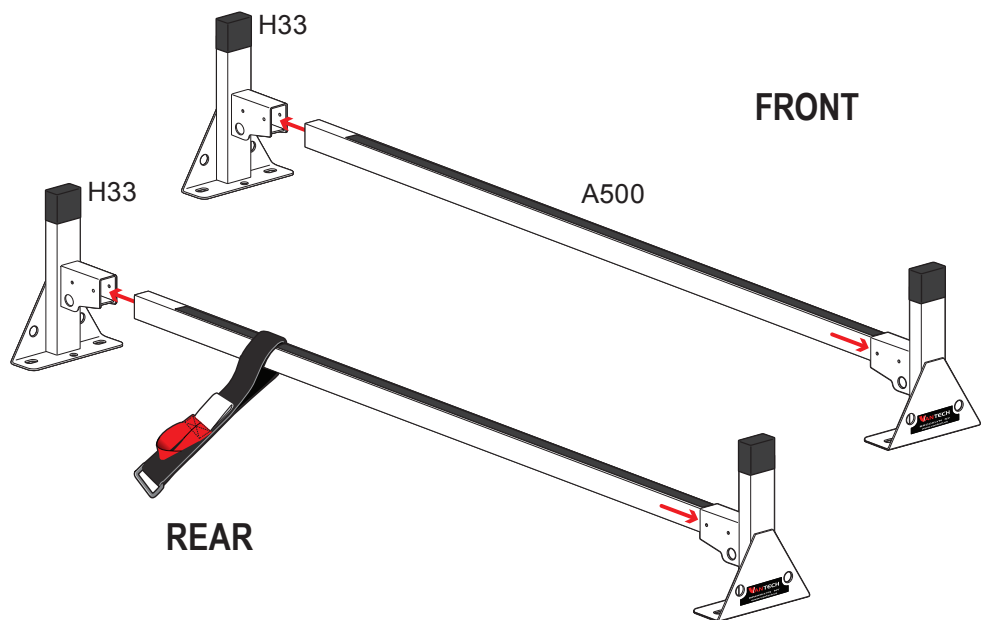
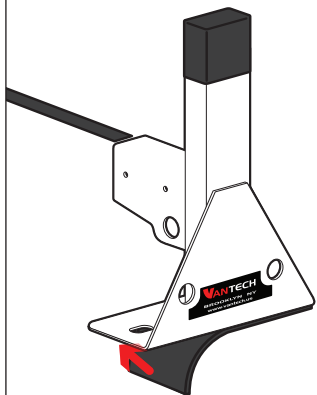
PLASTIC BAR GUARDS FOR STEEL CROSS BARS

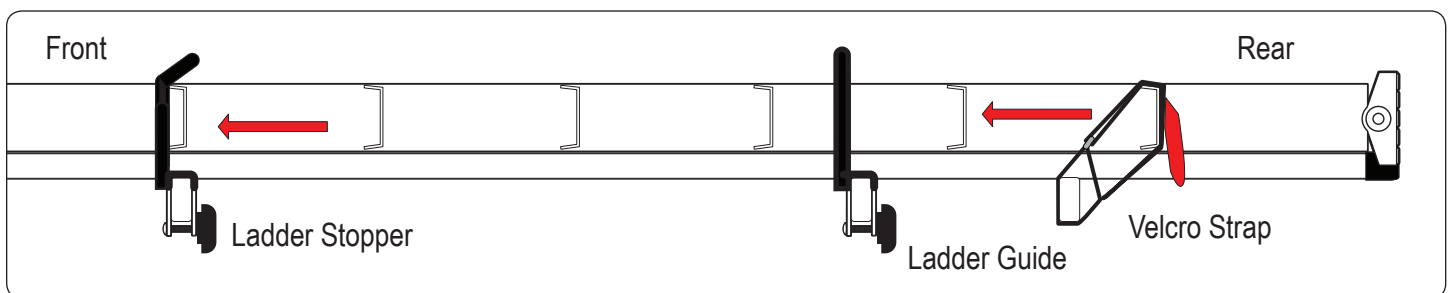
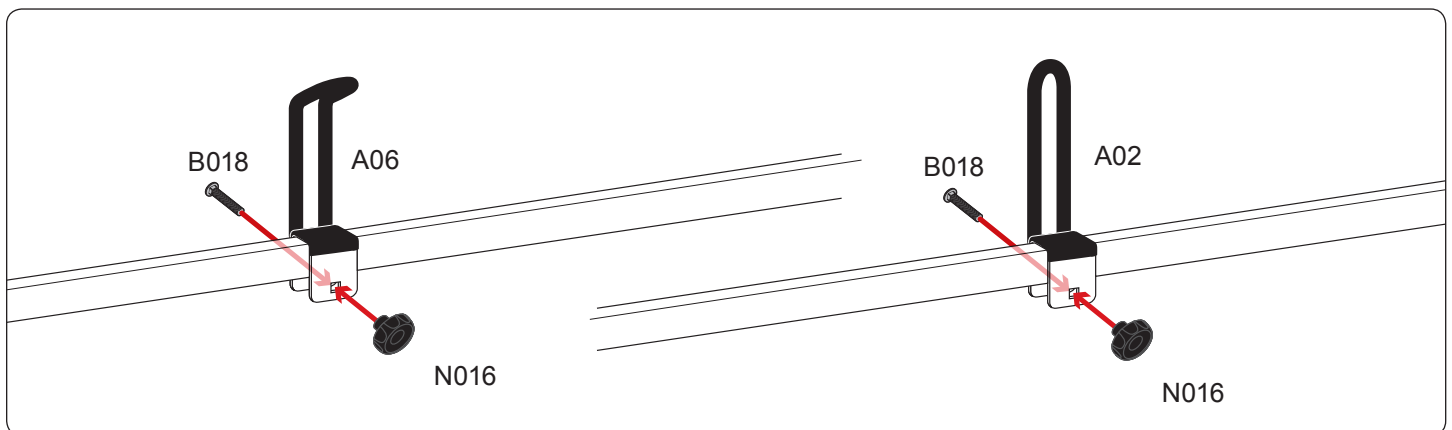
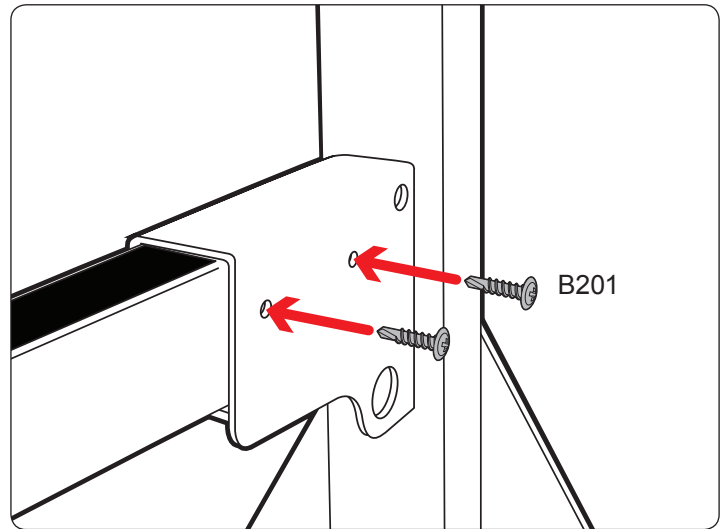
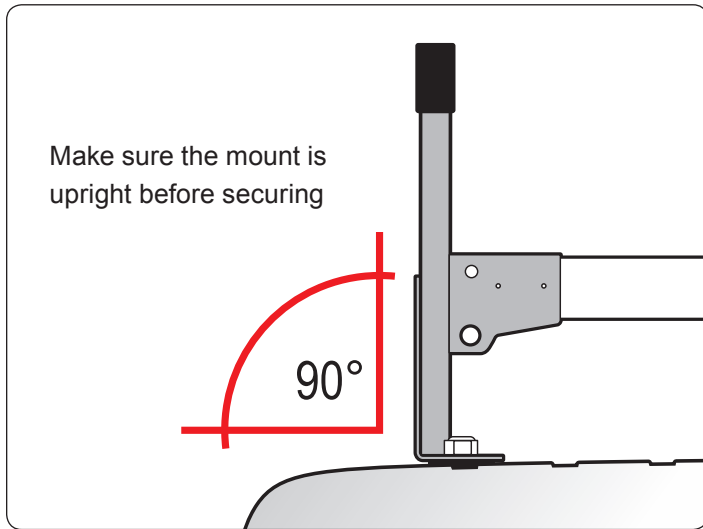
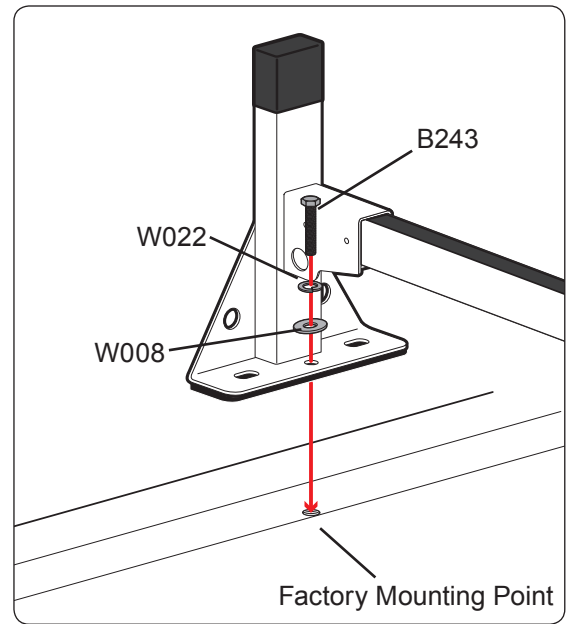
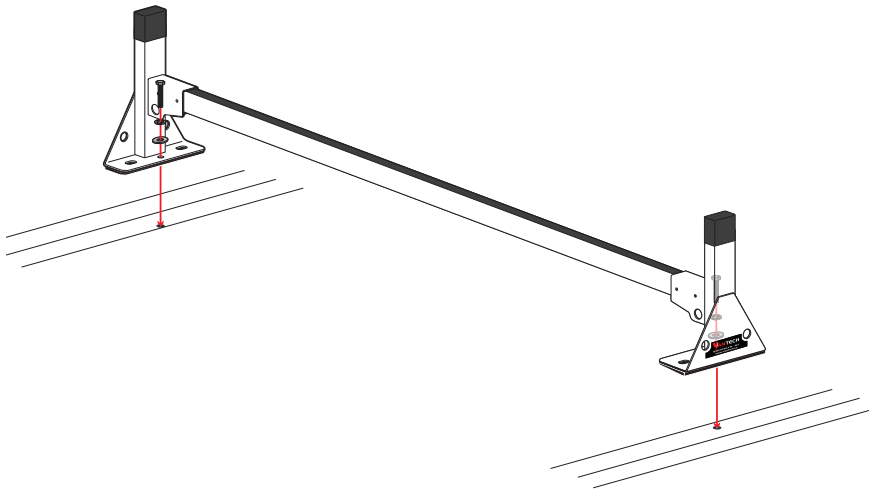
- Remove wax paper from plastic bar guard and adhere it to the top of the Cross Bar.

- Leave 4" on each end



G308





Vantech provides the best in truck and commercial van equipment.