

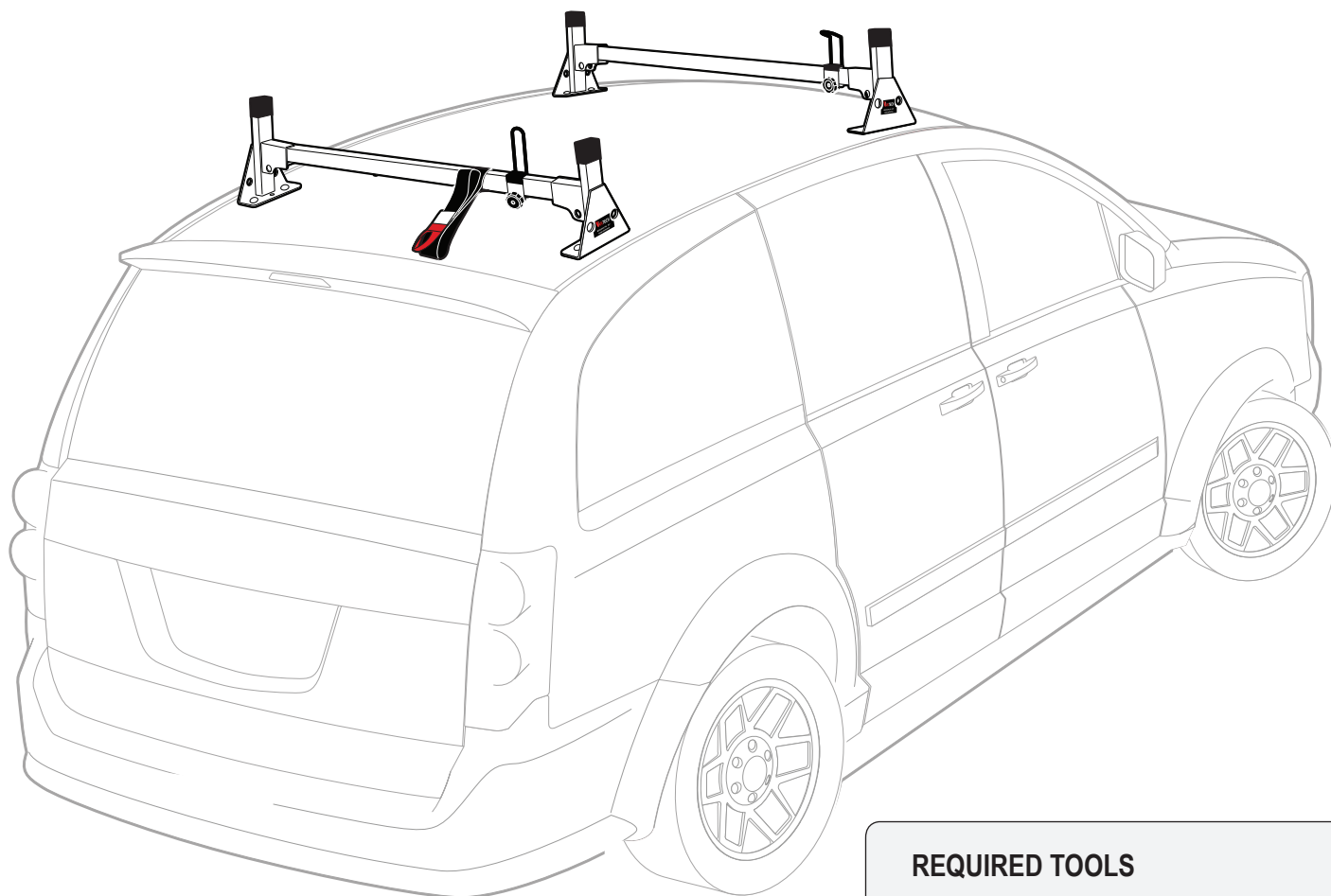


Warehouse Use Only

Part #	QUANTITY
D020	1
D111	1
G308	4
H33W	4
A500-56W	2
BG048	2
A02	1
A06	1
A69	1

Part #:	H2096W
Dimensions:	8" X 8" X 57" (Telescopic)
Weight:	???



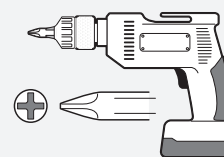


PRODUCT INFO

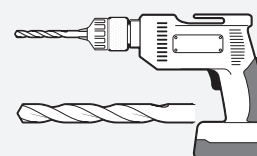
Part #: H2096W
System: H1 Series
Material: Steel
Fitment: Universal (Drilling Required)
Color: White

REQUIRED TOOLS

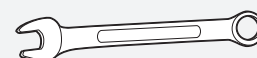
Power Tool With Phillips Head



Power Tool With 5/16" Drill Bit


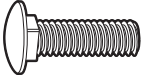


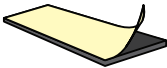


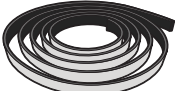


1/2" Wrench

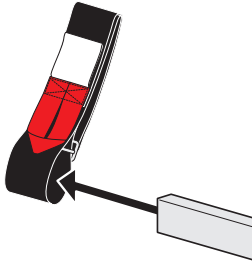


Marker

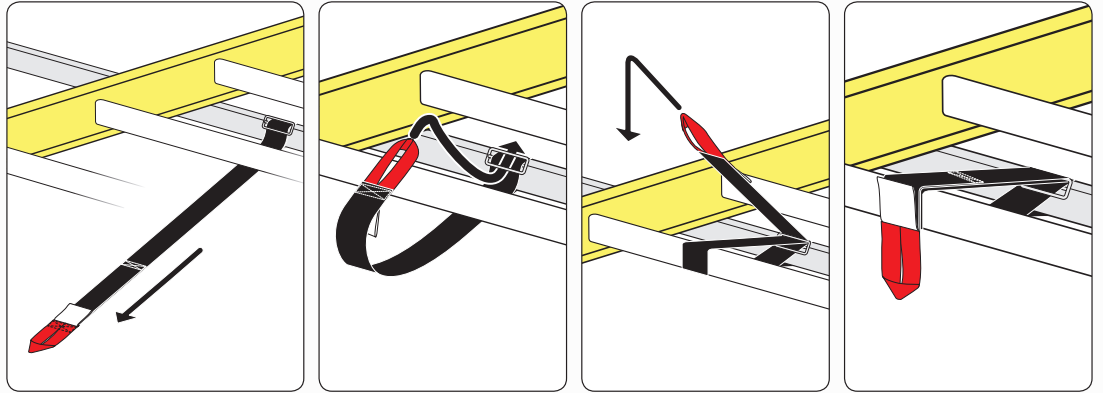


PART #	DESCRIPTION	QTY	ITEM ITEM NOT DRAWN TO SCALE
W008	5/16" X 3/4" WASHER	8	
B018	1 3/4" X 5/16" CARRIAGE BOLT	2	
B016	1 1/4" X 5/16" CARRIAGE BOLT	8	
B201	TAP SCREW	8	
N005	5/16" NYLON NUT	8	
N016	5/16" PLASTIC KNOB	2	
M03	INTERIOR PLATE	4	
H33	H1 MOUNTING BASE	4	
A500-56	2" X 1" X 56" CROSS BAR	2	
G308	POLYFOAM GASKET 2" X 8"	4	
A02	LADDER GUIDE	1	
A06	LADDER STOPPER	1	
A69	EZ-VELCRO STRAP	1	
BG048	PLASTIC BAR GUARD 48"	2	

EZ-Velcro Strap



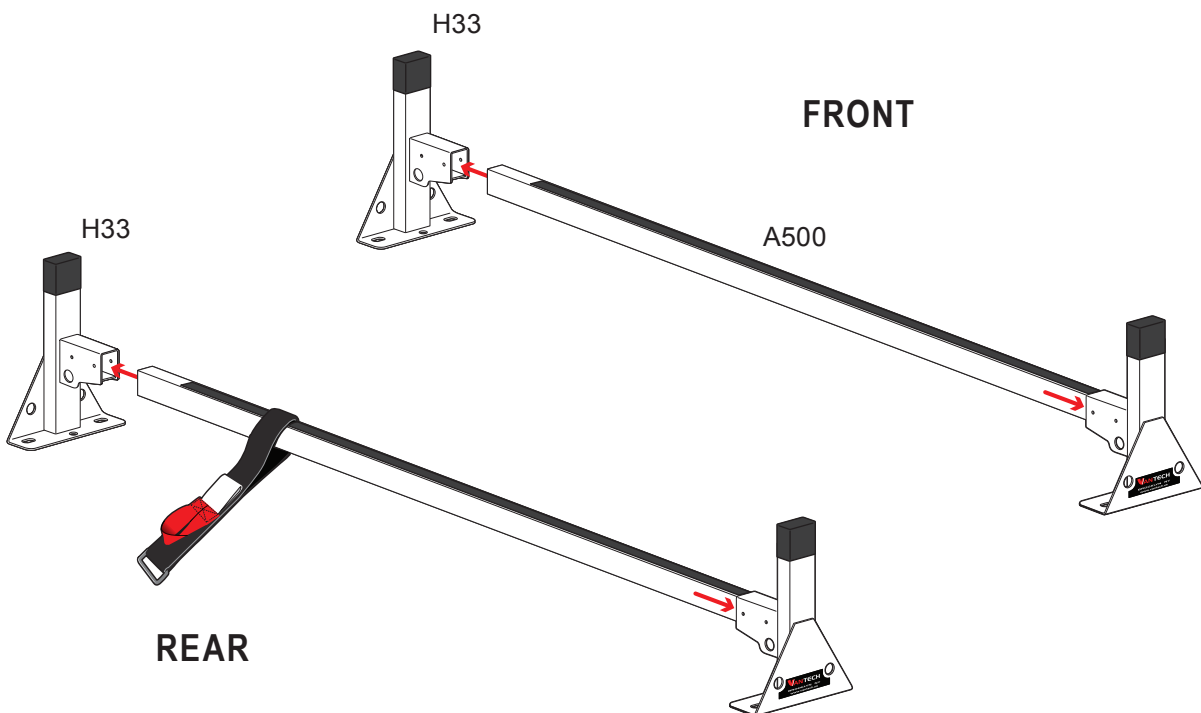
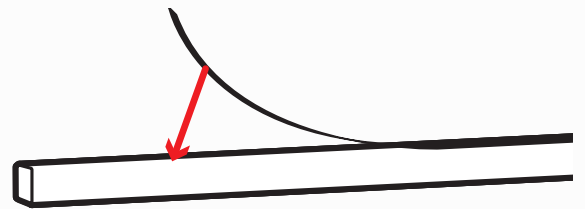
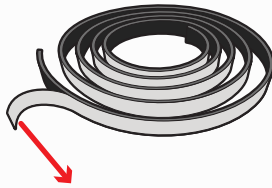
Directions

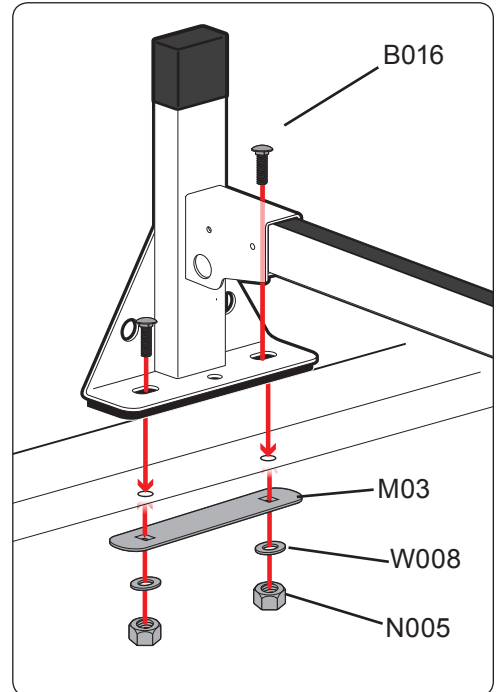
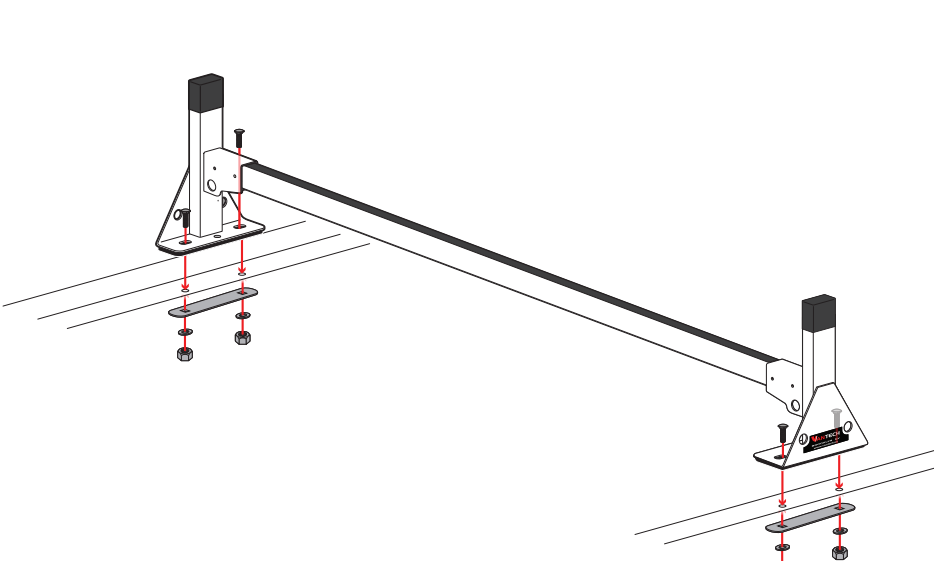
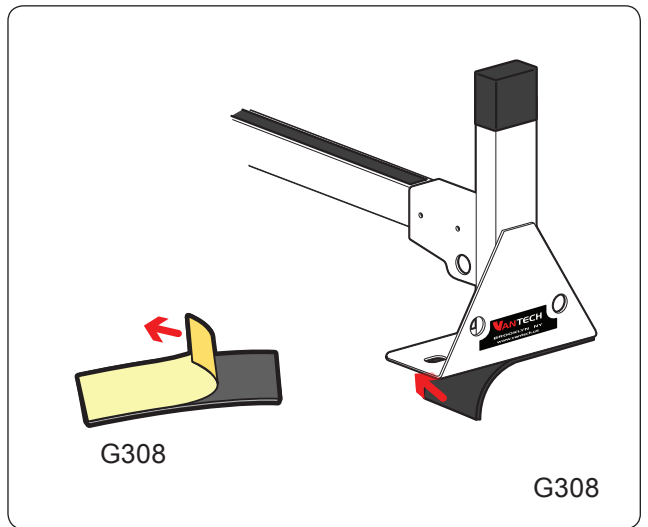
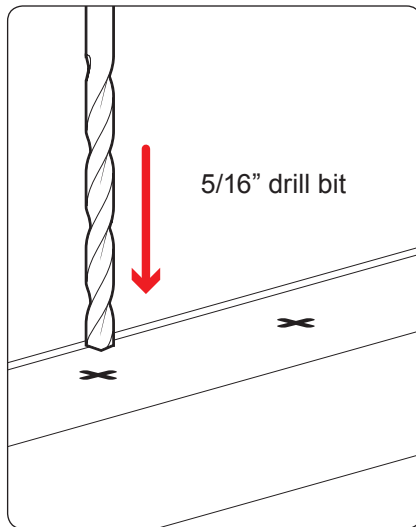
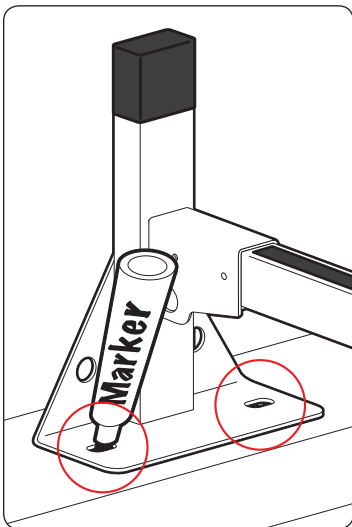
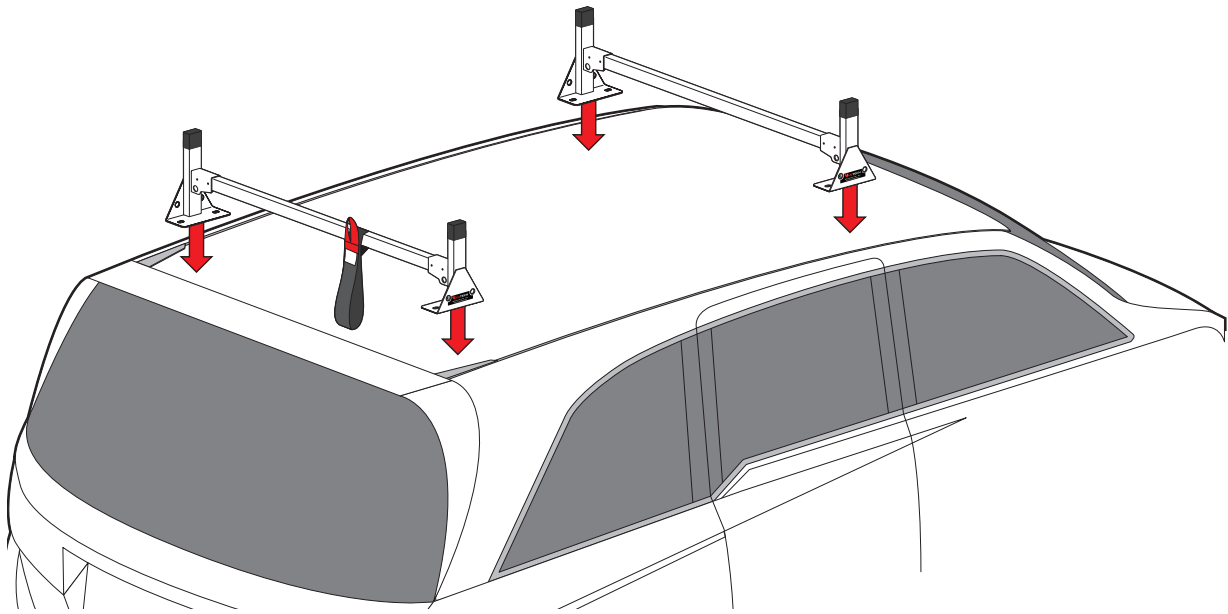


PLASTIC BAR GUARDS FOR STEEL CROSS BARS

- Remove wax paper from plastic bar guard and adhere it to the top of the Cross Bar.

- Leave 4" on each end





Make sure the mount is upright before securing

