

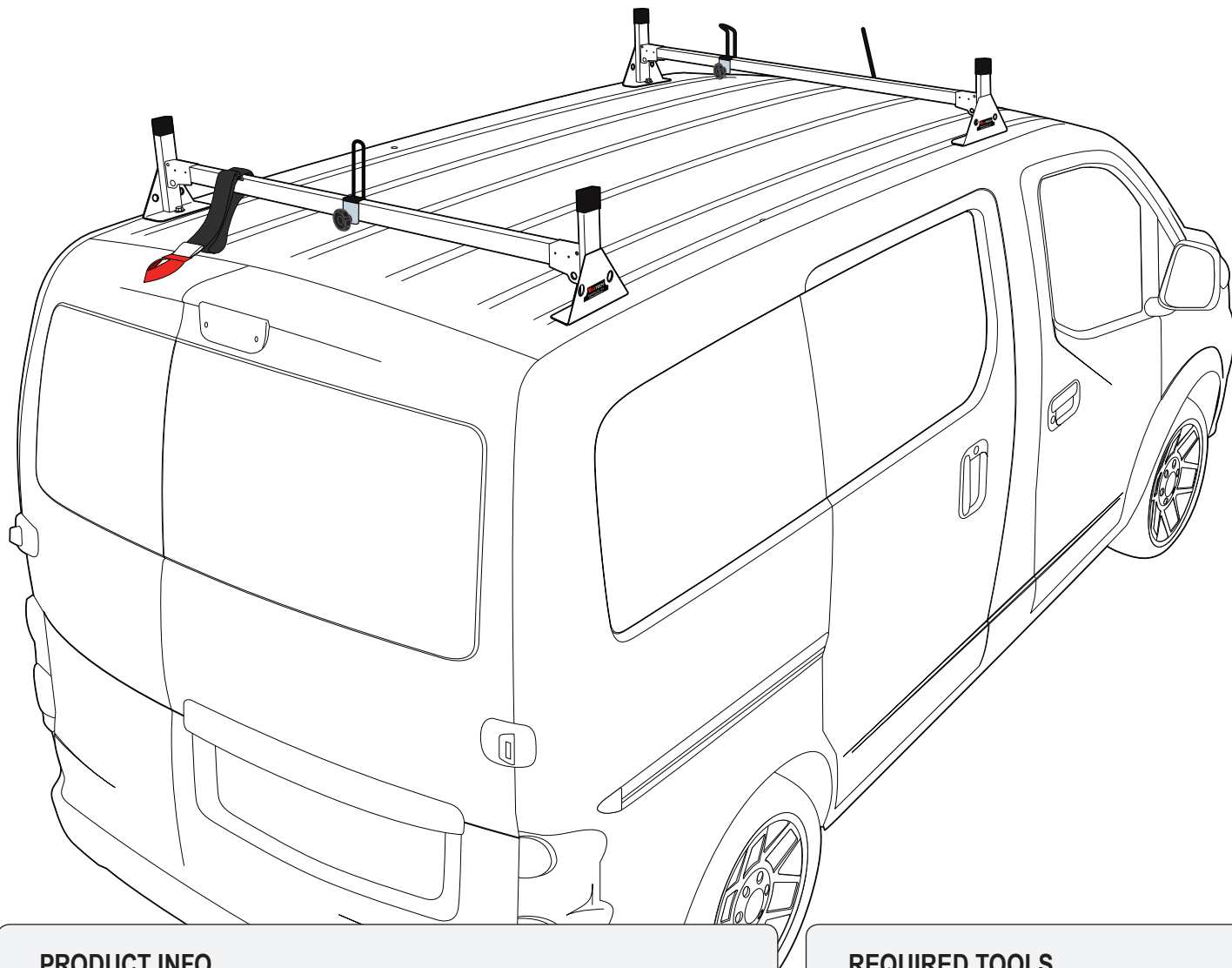


Warehouse Use Only

Part #	QUANTITY
D063	1
D109	1
G206	4
H34W	4
A613-45W	2
BG537	2
A02	1
A06	1
A69	1

Part #:	H1612W
Dimensions:	8" X 8" X 46" (Telescopic)
Weight:	???



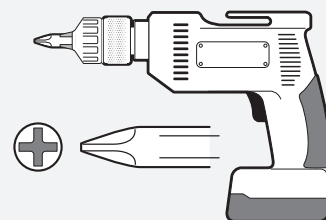


PRODUCT INFO

Part #: H1612W
System: H1 Series
Material: Aluminum
Fitment: Nissan NV200 2013-On
Color: White


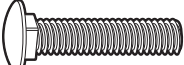
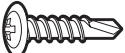

REQUIRED TOOLS

Power Tool With Phillips Head

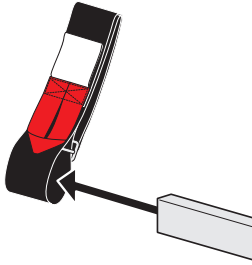


1/2" Wrench

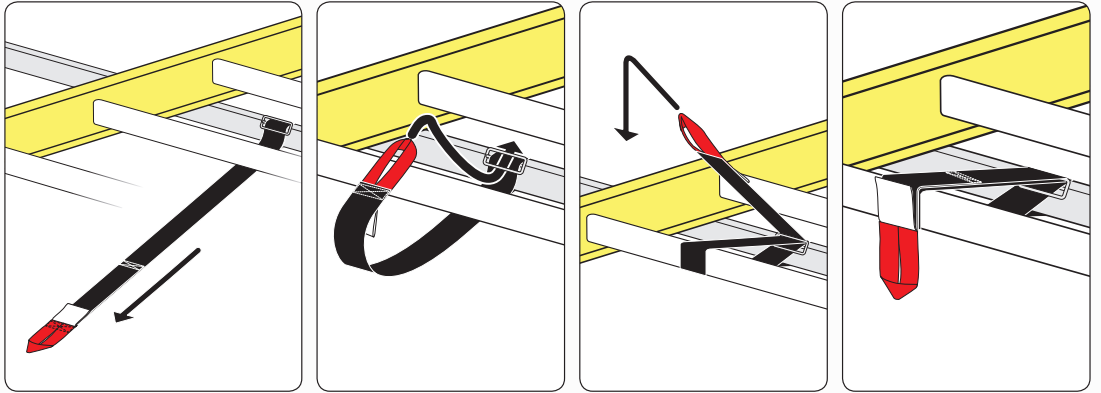


PART #	DESCRIPTION	QTY	ITEM ITEM NOT DRAWN TO SCALE
W008	5/16" X 3/4" WASHER	4	
W022	5/16" LOCK WASHER	4	
B018	1 3/4" X 5/16" CARRIAGE BOLT	2	
B201	TAP SCREW	8	
B245	M8-30 HEX BOLT	4	
N016	5/16" PLASTIC KNOB	2	
H34	H1 MOUNTING BASE	4	
A613-45	2" X 1" X 45" CROSS BAR	2	
G206	RUBBER SEAT 6"	4	
A02	LADDER GUIDE	1	
A06	LADDER STOPPER	1	
A69	EZ-VELCRO STRAP	1	
BG537	RUBBER BAR GUARD 37"	2	

EZ-Velcro Strap

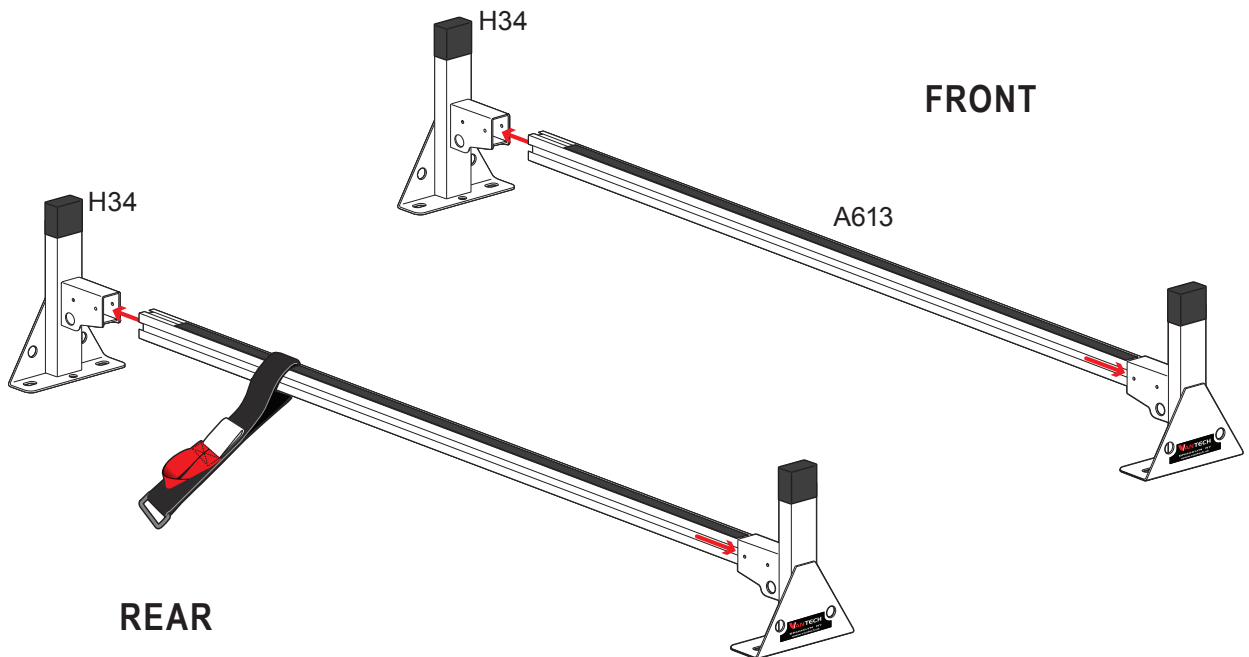


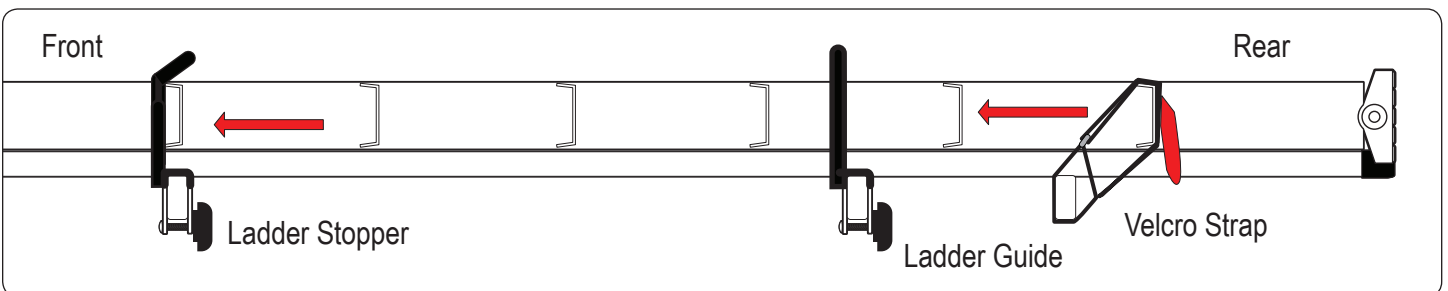
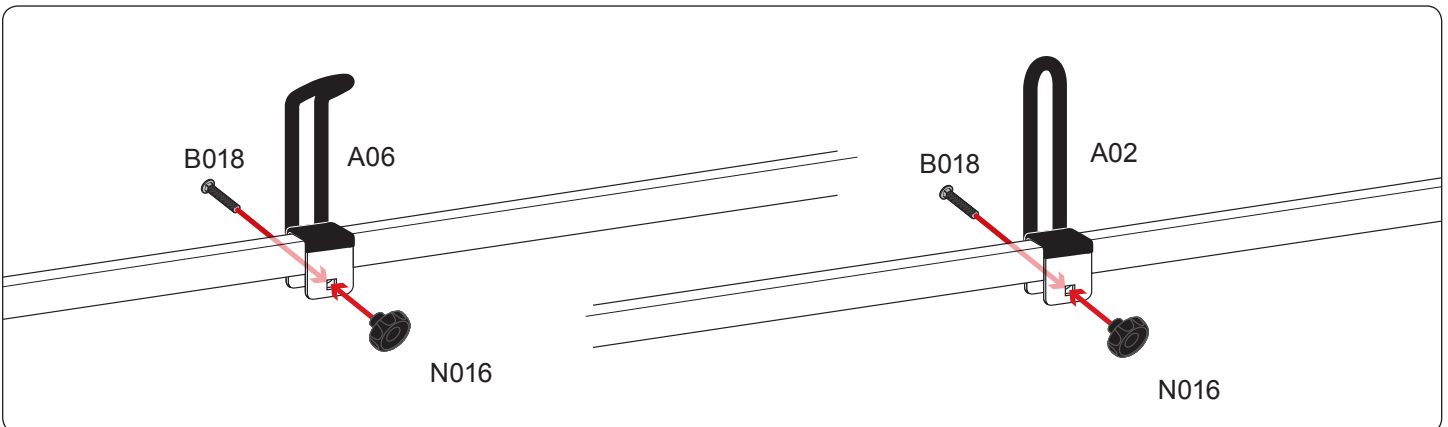
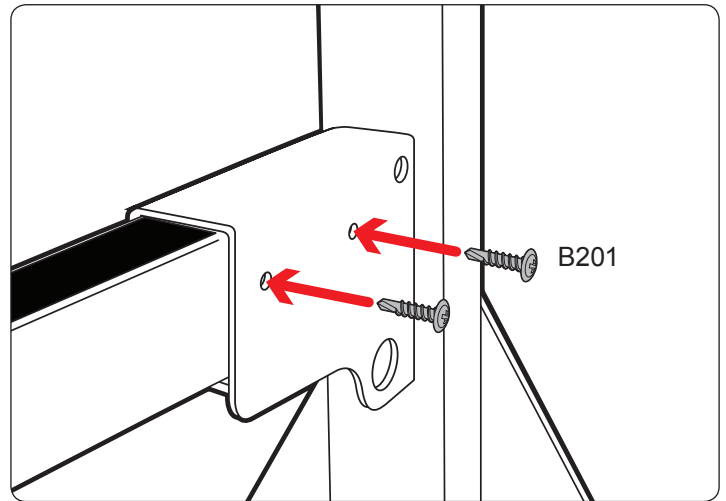
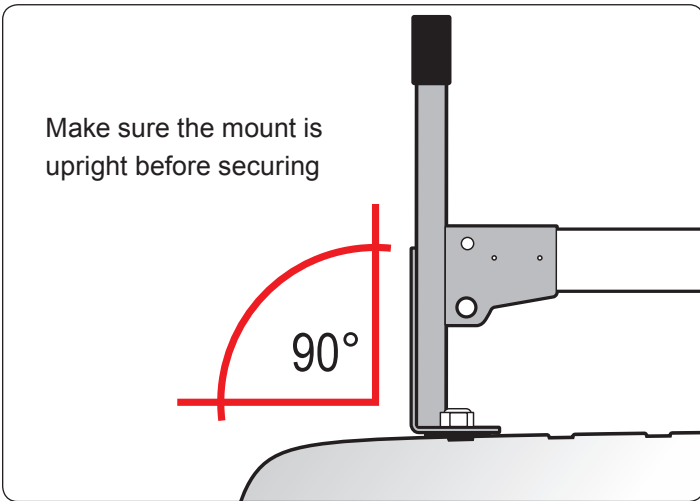
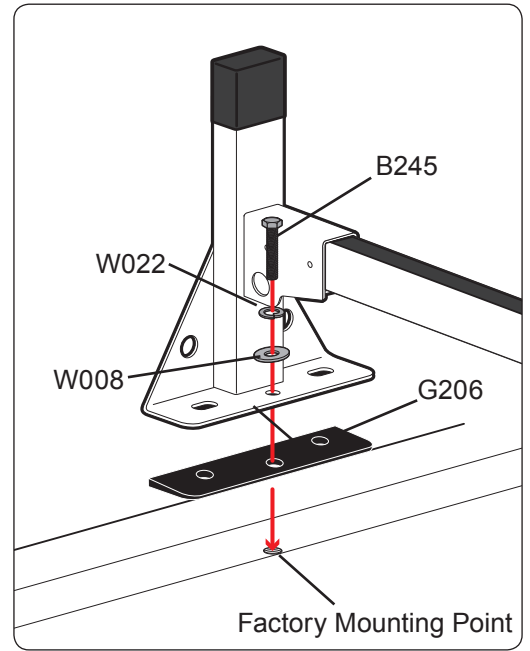
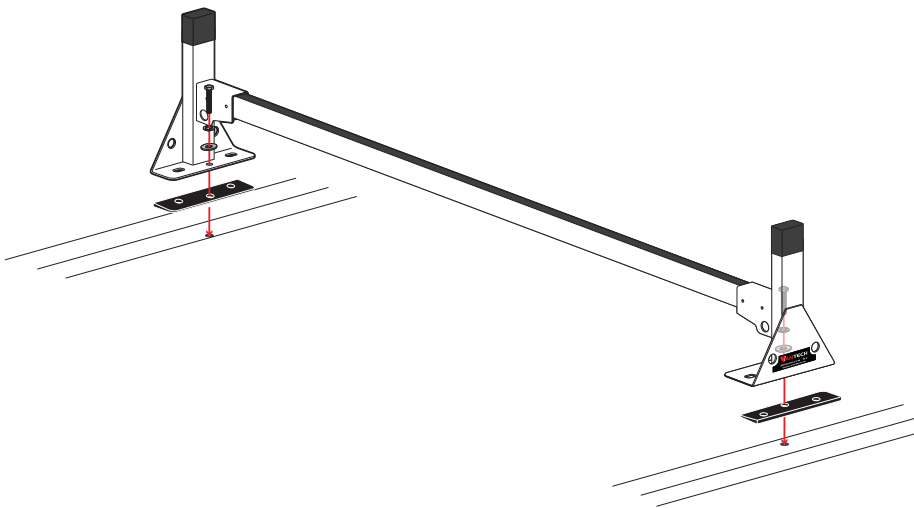
Directions



RUBBER BAR GUARDS

- Press the rubber bar guard into the channels of cross bars
- Leave 4" on each end





Find out more about commercial van equipment we have.