

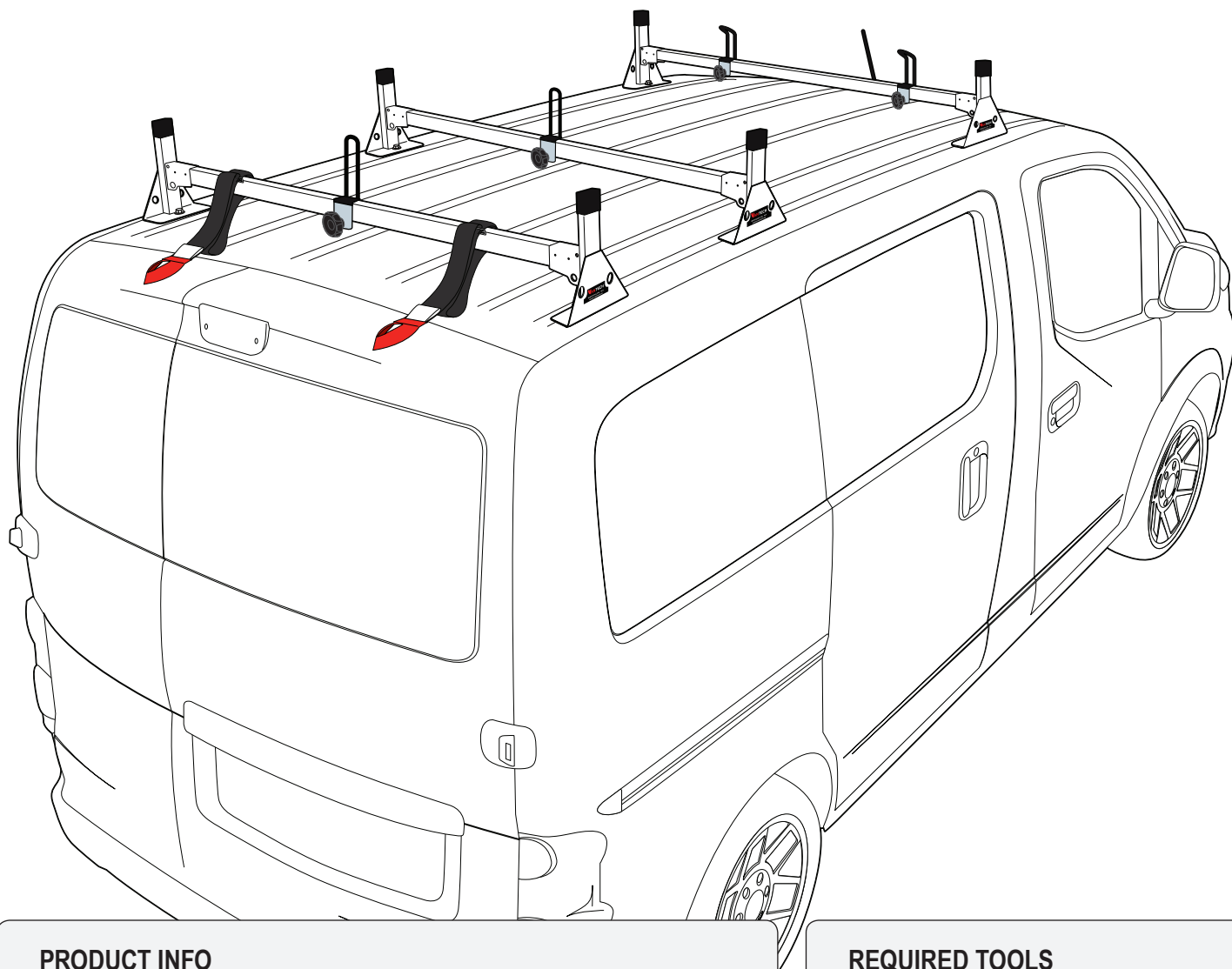


Warehouse Use Only

Part #	QUANTITY
D014	1
D112	1
G206	6
H31W	2
H33W	4
A500-45W	3
BG037	3
A02	2
A06	2
A69	2

Part #:	H1603W
Dimensions:	8" X 8" X 46" (Telescopic)
Weight:	???



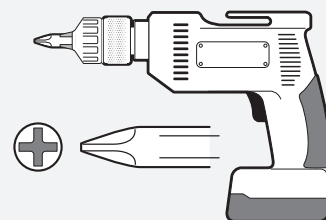


PRODUCT INFO

Part #: H1603W
System: H1 Series
Material: Steel
Fitment: Nissan NV200 2013-On
Color: White

REQUIRED TOOLS

Power Tool With Phillips Head

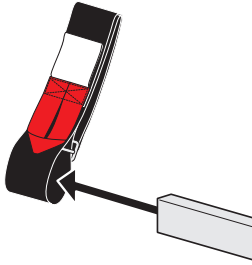


1/2" Wrench

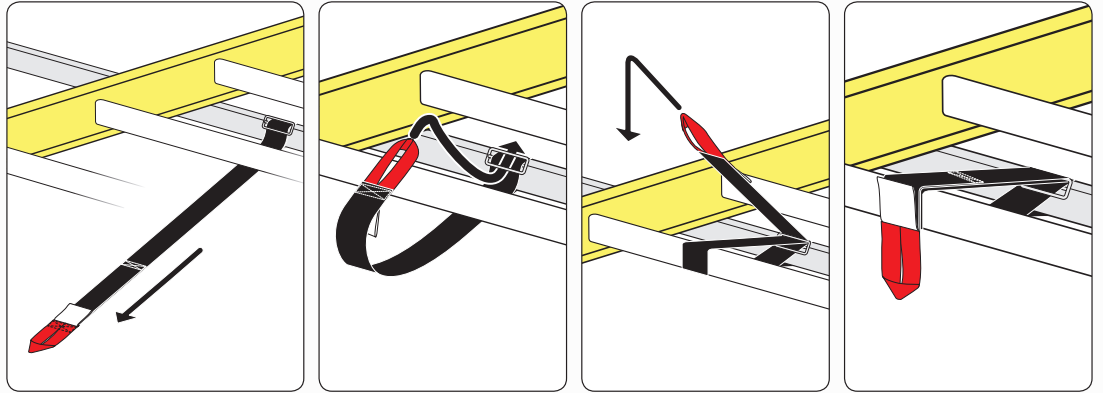


PART #	DESCRIPTION	QTY	ITEM ITEM NOT DRAWN TO SCALE
W008	5/16" X 3/4" WASHER	6	
W022	5/16" LOCK WASHER	6	
B018	1 3/4" X 5/16" CARRIAGE BOLT	4	
B201	TAP SCREW	12	
B245	M8-30 HEX BOLT	6	
N016	5/16" PLASTIC KNOB	4	
H31	H1 MOUNTING BASE (LOW)	2	
H33	H1 MOUNTING BASE (STANDARD)	4	
A500-45	2" X 1" X 45" CROSS BAR	3	
G206	RUBBER SEAT 6"	6	
A02	LADDER GUIDE	2	
A06	LADDER STOPPER	2	
A69	EZ-VELCRO STRAP	2	
BG037	PLASTIC BAR GUARD 37"	3	

EZ-Velcro Strap



Directions



PLASTIC BAR GUARDS FOR STEEL CROSS BARS

- Remove wax paper from plastic bar guard and adhere it to the top of the Cross Bar.

- Leave 4" on each end

