

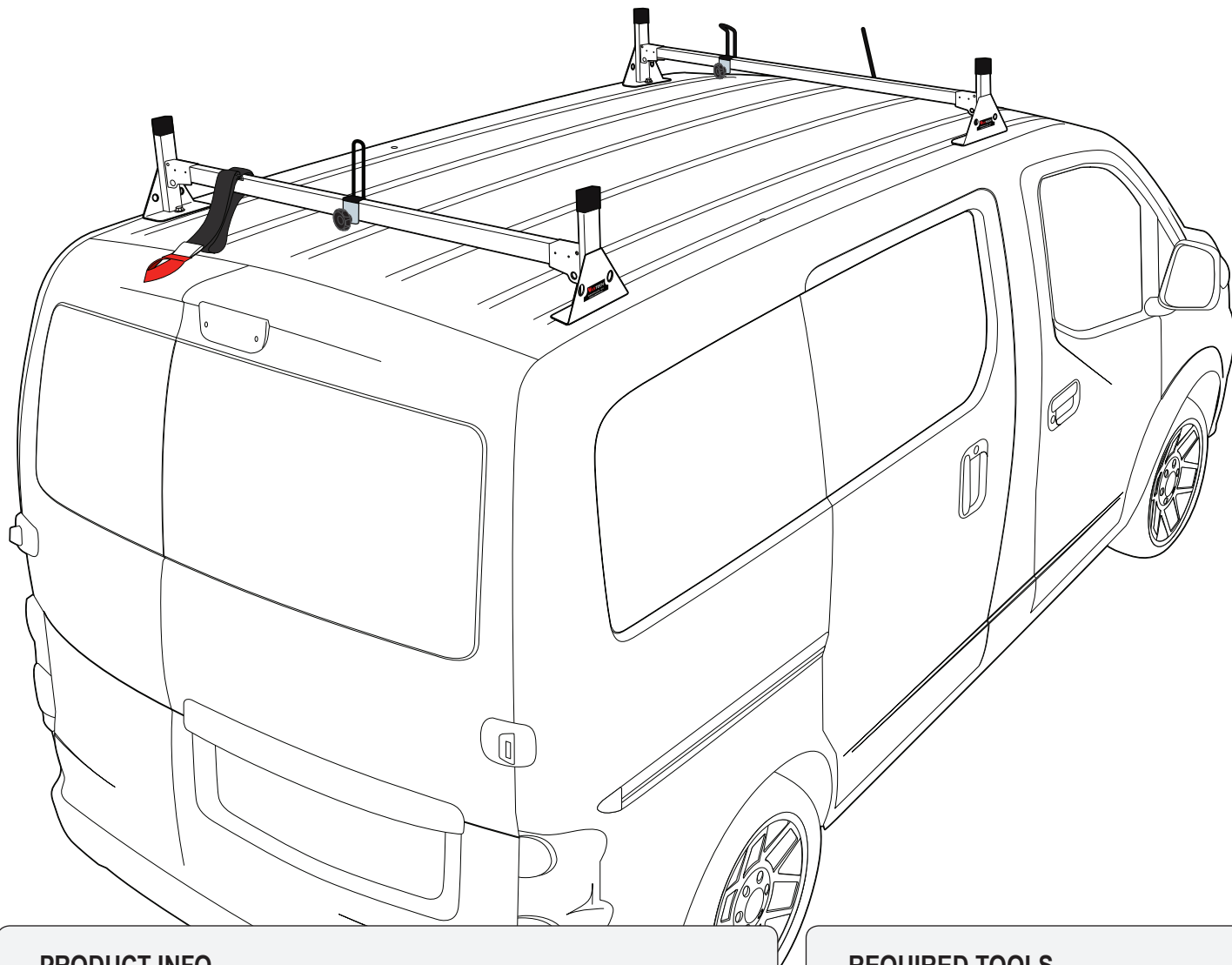


Warehouse Use Only

Part #	QUANTITY
D013	1
D111	1
G206	4
H33W	4
A500-45W	2
BG037	2
A02	1
A06	1
A69	1

Part #:	H1602W
Dimensions:	8" X 8" X 46" (Telescopic)
Weight:	???



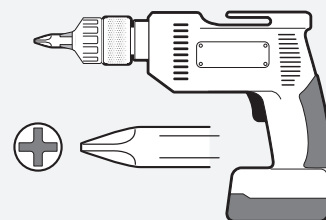


PRODUCT INFO

Part #: H1602W
System: H1 Series
Material: Steel
Fitment: Nissan NV200 2013-On
Color: White


REQUIRED TOOLS

Power Tool With Phillips Head

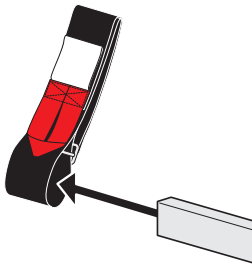


1/2" Wrench

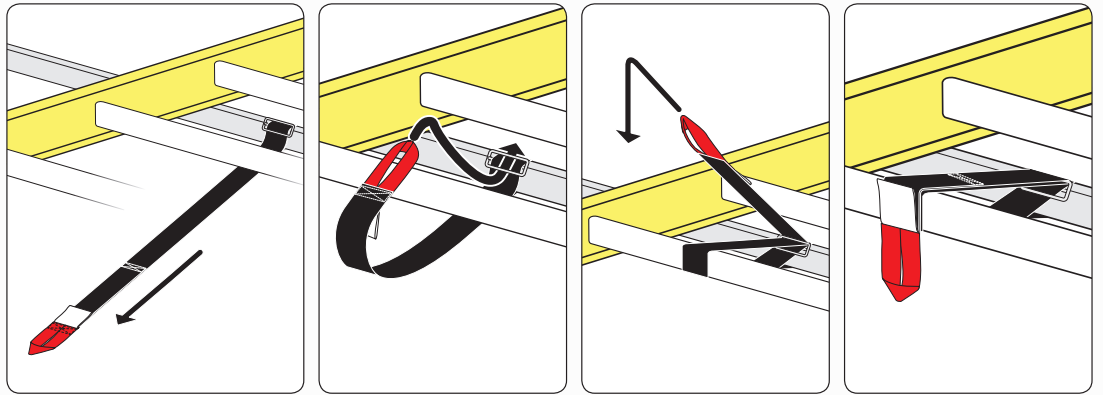


PART #	DESCRIPTION	QTY	ITEM ITEM NOT DRAWN TO SCALE
W008	5/16" X 3/4" WASHER	4	
W022	5/16" LOCK WASHER	4	
B018	1 3/4" X 5/16" CARRIAGE BOLT	2	
B201	TAP SCREW	8	
B245	M8-30 HEX BOLT	4	
N016	5/16" PLASTIC KNOB	2	
H33	H1 MOUNTING BASE	4	
A500-45	2" X 1" X 45" CROSS BAR	2	
G206	RUBBER SEAT 6"	4	
A02	LADDER GUIDE	1	
A06	LADDER STOPPER	1	
A69	EZ-VELCRO STRAP	1	
BG037	PLASTIC BAR GUARD 37"	2	

EZ-Velcro Strap



Directions



PLASTIC BAR GUARDS FOR STEEL CROSS BARS

- Remove wax paper from plastic bar guard and adhere it to the top of the Cross Bar.

- Leave 4" on each end

