

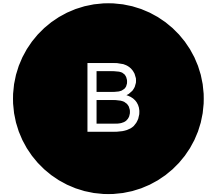


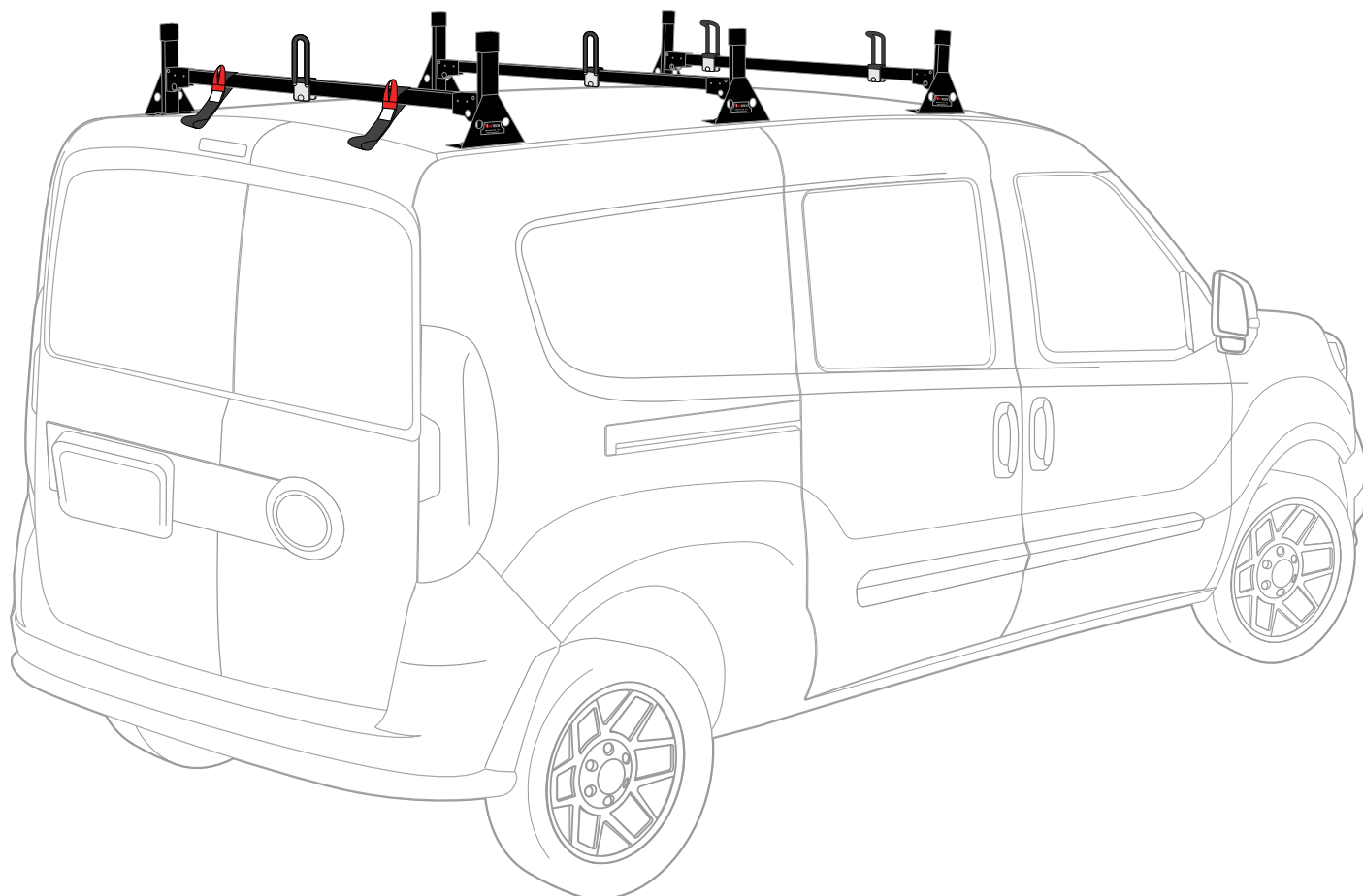
# Warehouse Use Only

---

Part #	QUANTITY
D068	1
D110	1
G206	6
H34B	4
H32B	2
A613-45B	3
BG537	3
A02	2
A06	2
A69	2

Part #:	H1358B
Dimensions:	8" X 8" X 46" (Telescopic)
Weight:	???





## PRODUCT INFO

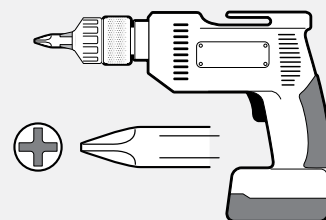
---

Part #: H1358B  
System: H1 Series  
Material: Aluminum  
Fitment: Ram ProMaster City 2015-On  
Color: Black

## REQUIRED TOOLS



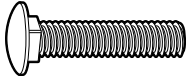

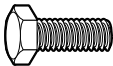

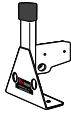
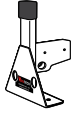
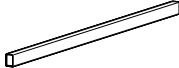





---

Power Tool With Phillips Head

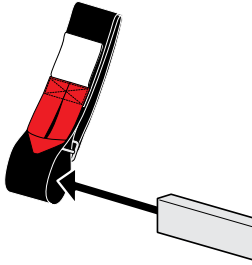


1/2" Wrench

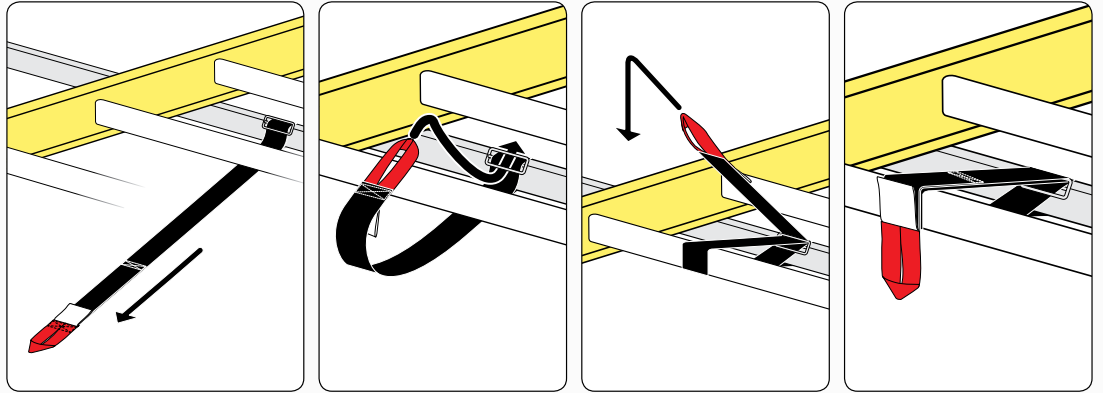


PART #	DESCRIPTION	QTY	ITEM ITEM NOT DRAWN TO SCALE
W003	1/4" X 3/4" WASHER	10	
W021	1/4" LOCK WASHER	10	
B018	1 3/4" X 5/16" CARRIAGE BOLT	4	
B201	TAP SCREW	12	
B224	M6-25 HEX BOLT	10	
N016	5/16" PLASTIC KNOB	4	
H34	H1 MOUNTING BASE (STANDARD)	4	
H32	H1 MOUNTING BASE (LOW)	2	
A613-45	2" X 1" X 45" CROSS BAR	3	
G206	RUBBER SEAT 2" X 6"	6	
A02	LADDER GUIDE	2	
A06	LADDER STOPPER	2	
A69	EZ-VELCRO STRAP	2	
BG537	RUBBER BAR GUARD 37"	3	

### EZ-Velcro Strap

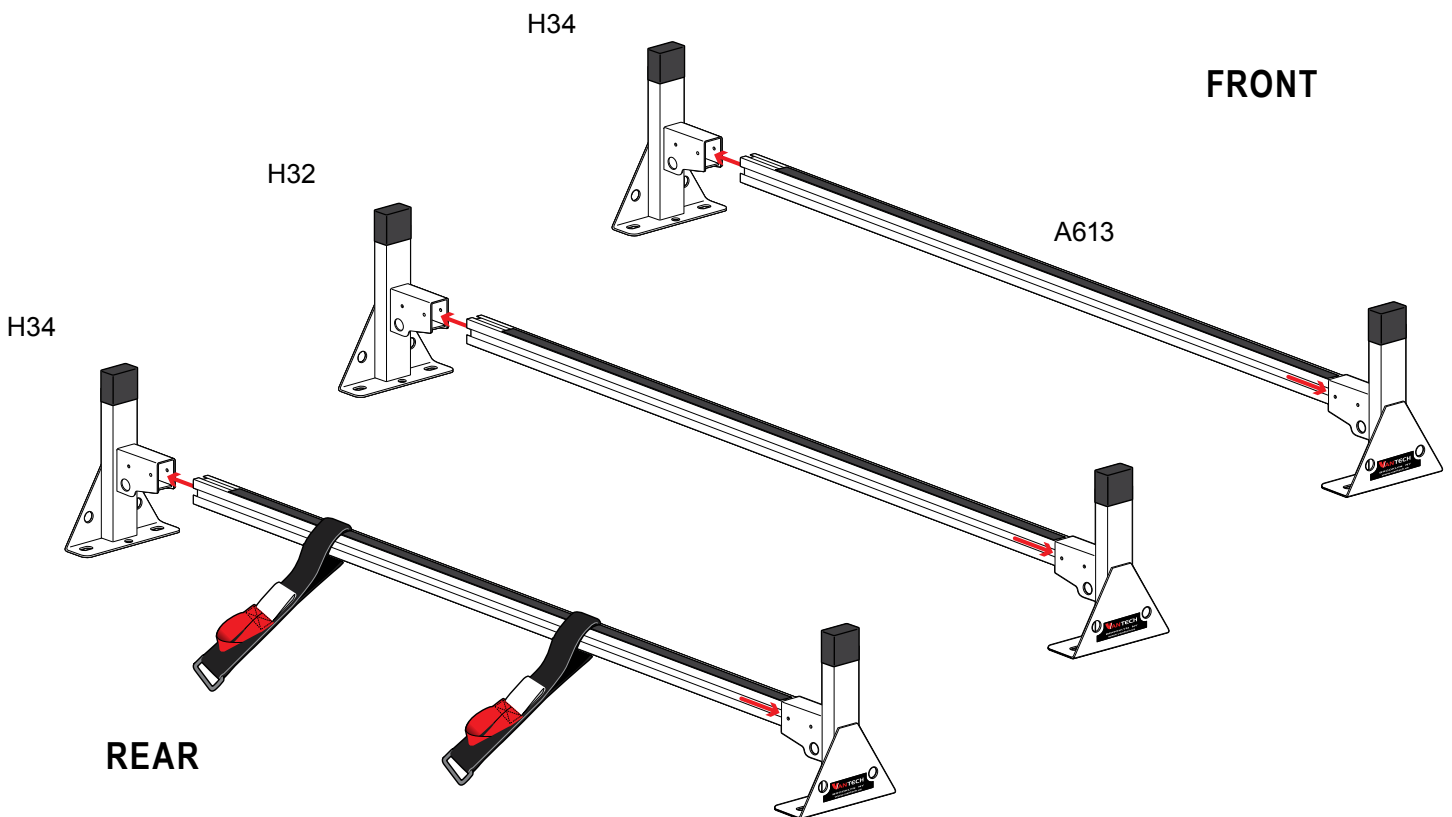
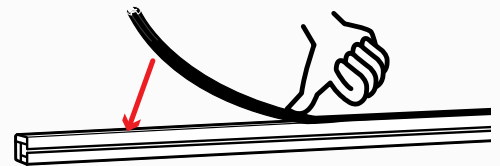


### Directions



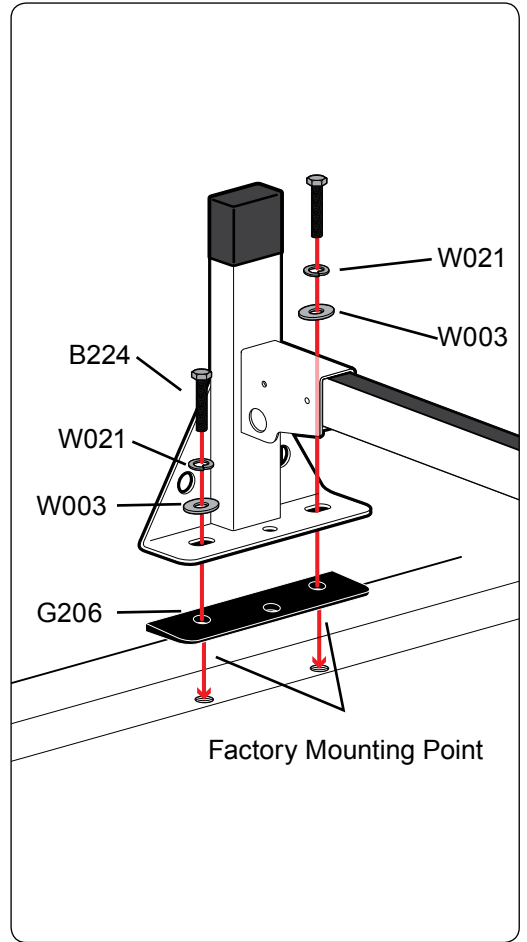
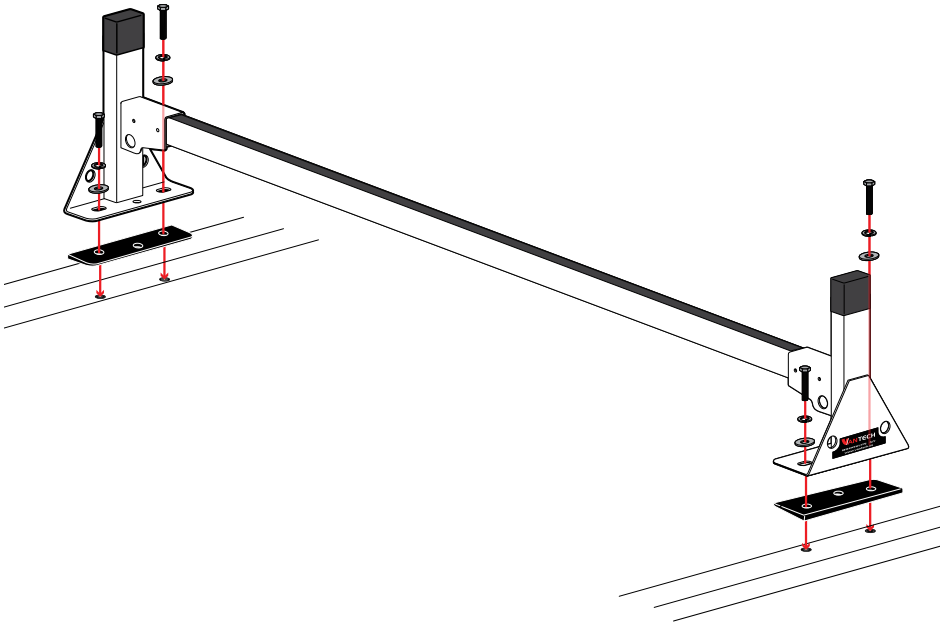
### RUBBER BAR GUARDS

- Press the rubber bar guard into the channels of cross bars
- Leave 4" on each end



# FRONT AND REAR

H34



# CENTER

H32

