



# Warehouse Use Only

---

Part #	QUANTITY
--------	----------

D018	1
------	---

D112	1
------	---

G206	6
------	---

H33W	4
------	---

H31W	2
------	---

A500-45W	3
----------	---

BG037	3
-------	---

A02	2
-----	---

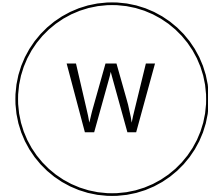
A06	2
-----	---

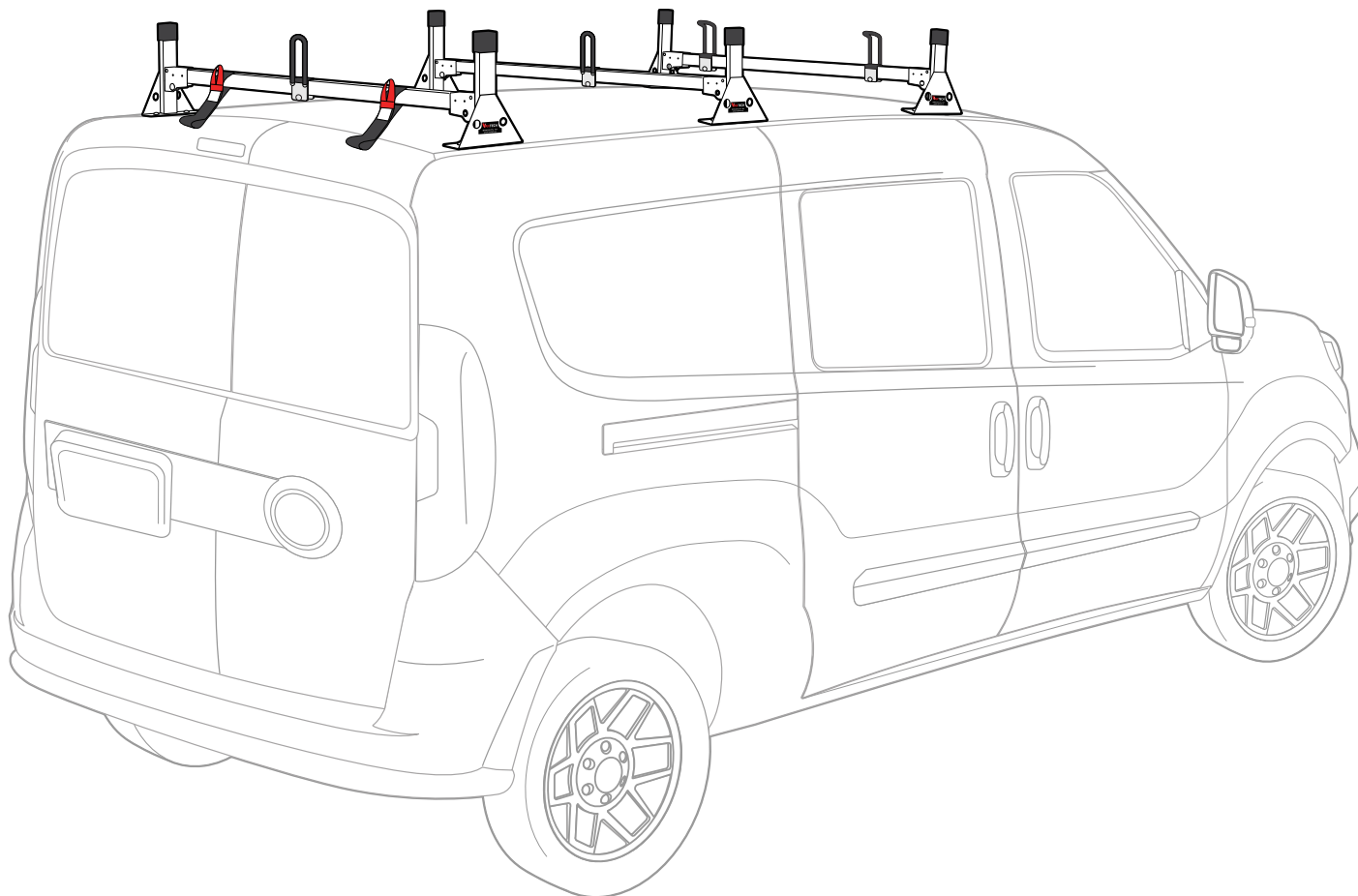
A69	2
-----	---

Part #:	H1348W
---------	--------

Dimensions:	8" X 8" X 46" (Telescopic)
-------------	----------------------------

Weight:	???
---------	-----





## PRODUCT INFO

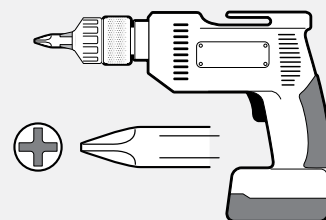
---

Part #: H1348W  
System: H1 Series  
Material: Steel  
Fitment: Ram ProMaster City 2015-On  
Color: White

## REQUIRED TOOLS



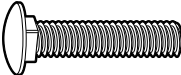

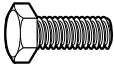






---

Power Tool With Phillips Head

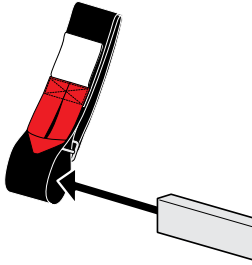


1/2" Wrench

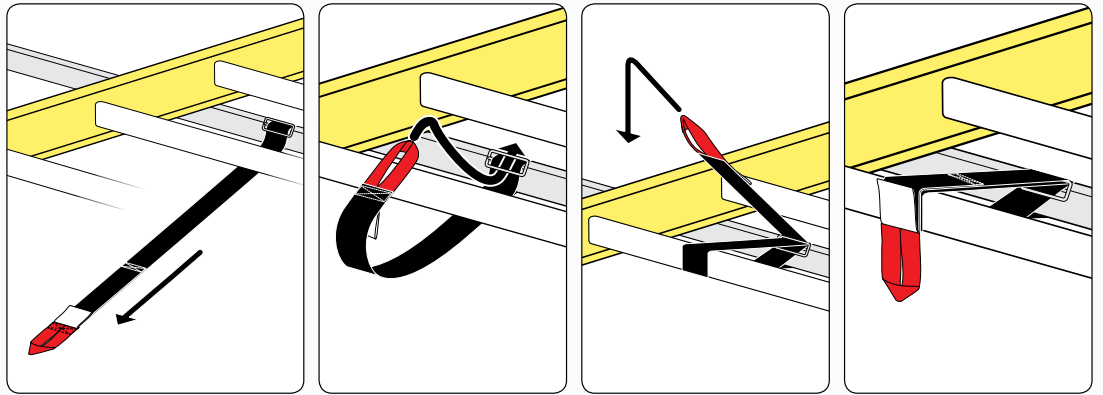


PART #	DESCRIPTION	QTY	ITEM ITEM NOT DRAWN TO SCALE
W003	1/4" X 3/4" WASHER	10	
W021	1/4" LOCK WASHER	10	
B018	1 3/4" X 5/16" CARRIAGE BOLT	4	
B201	TAP SCREW	12	
B224	M6-25 HEX BOLT	10	
N016	5/16" PLASTIC KNOB	4	
H33	H1 MOUNTING BASE (STANDARD)	4	
H31	H1 MOUNTING BASE (LOW)	2	
A500-45	2" X 1" X 45" CROSS BAR	3	
G206	RUBBER SEAT 2" X 6"	6	
A02	LADDER GUIDE	2	
A06	LADDER STOPPER	2	
A69	EZ-VELCRO STRAP	2	
BG037	PLASTIC BAR GUARD 37"	3	

### EZ-Velcro Strap



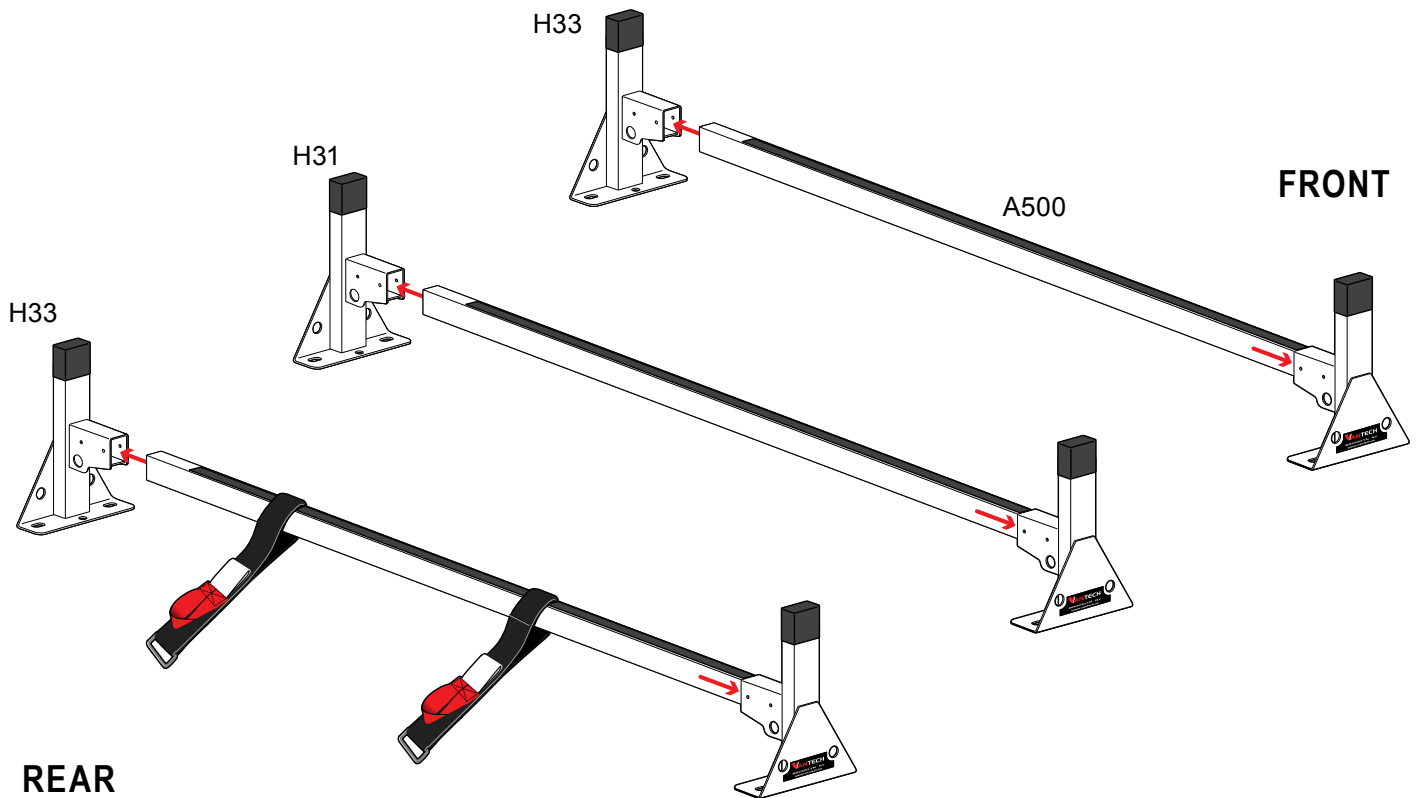
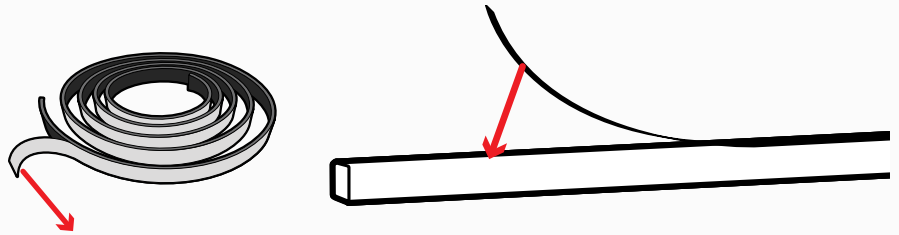
### Directions



### PLASTIC BAR GUARDS FOR STEEL CROSS BARS

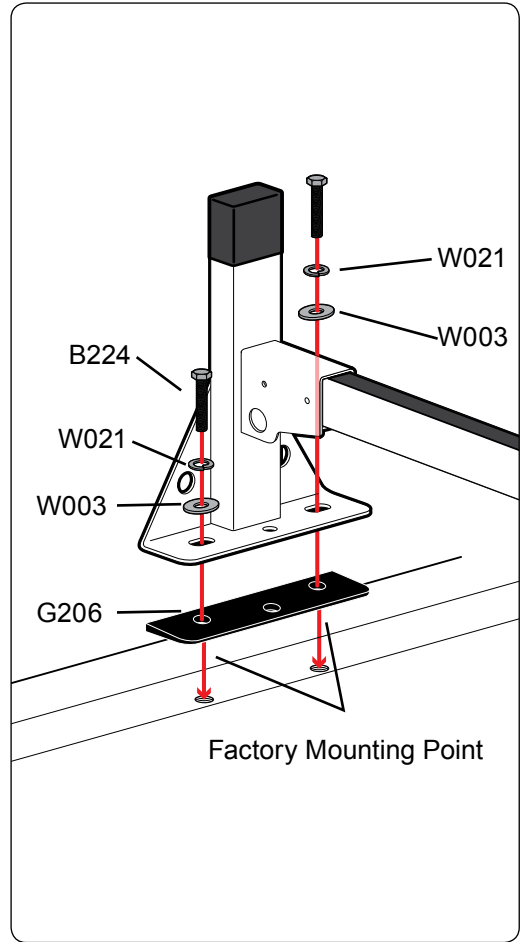
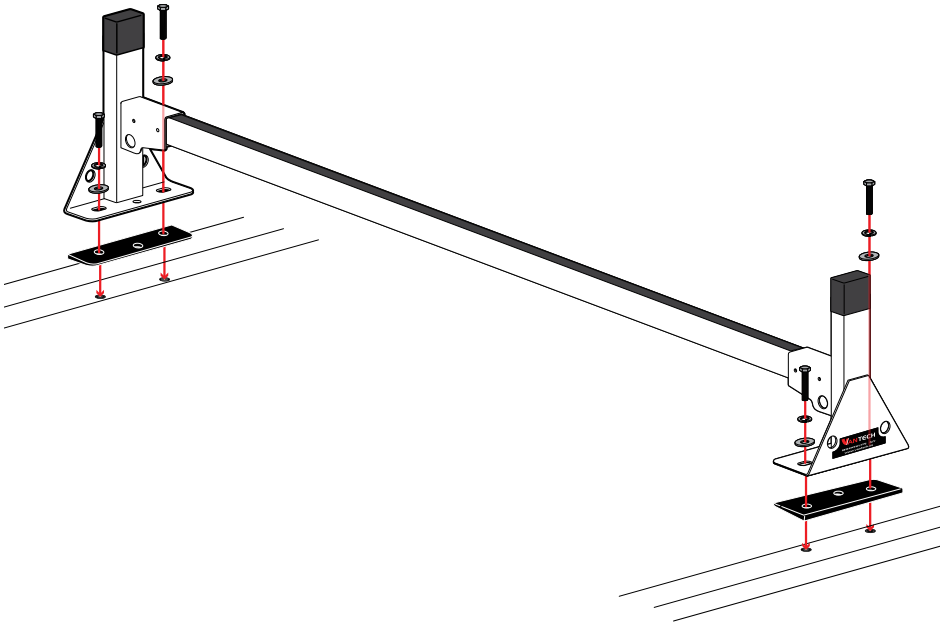
- Remove wax paper from plastic bar guard and adhere it to the top of the Cross Bar.

- Leave 4" on each end



# FRONT AND REAR

H33



# CENTER

H31

