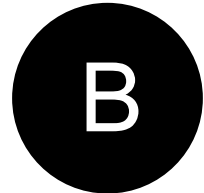


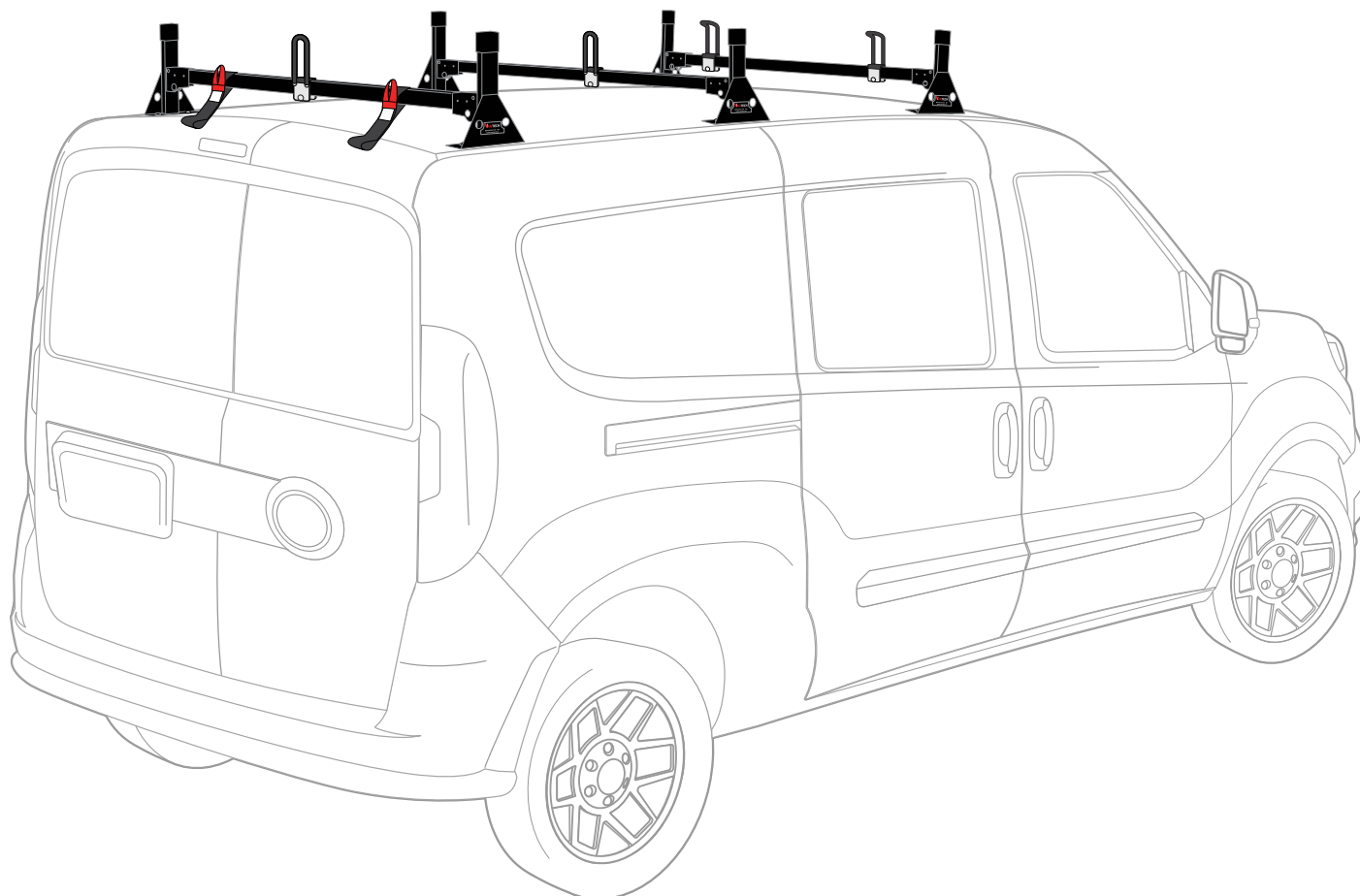


Warehouse Use Only

| Part # | QUANTITY |
|----------|----------|
| D018 | 1 |
| D112 | 1 |
| G206 | 6 |
| H33B | 4 |
| H31B | 2 |
| A500-45B | 3 |
| BG037 | 3 |
| A02 | 2 |
| A06 | 2 |
| A69 | 2 |

| | |
|-------------|----------------------------|
| Part #: | H1348B |
| Dimensions: | 8" X 8" X 46" (Telescopic) |
| Weight: | ??? |



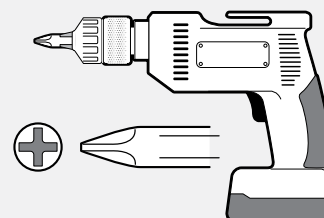


PRODUCT INFO

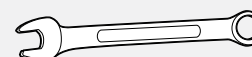
Part #: H1348B
System: H1 Series
Material: Steel
Fitment: Ram ProMaster City 2015-On
Color: Black



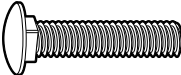

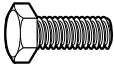






REQUIRED TOOLS

Power Tool With Phillips Head

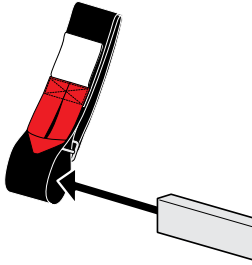


1/2" Wrench

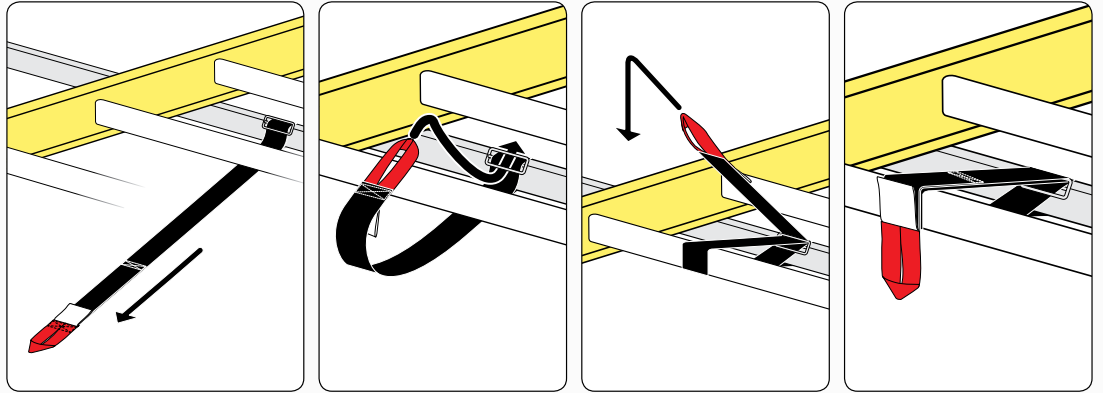


| PART # | DESCRIPTION | QTY | ITEM ITEM NOT DRAWN TO SCALE |
|---------|------------------------------|-----|---|
| W003 | 1/4" X 3/4" WASHER | 10 |  |
| W021 | 1/4" LOCK WASHER | 10 |  |
| B018 | 1 3/4" X 5/16" CARRIAGE BOLT | 4 |  |
| B201 | TAP SCREW | 12 |  |
| B224 | M6-25 HEX BOLT | 10 |  |
| N016 | 5/16" PLASTIC KNOB | 4 |  |
| H33 | H1 MOUNTING BASE (STANDARD) | 4 |  |
| H31 | H1 MOUNTING BASE (LOW) | 2 |  |
| A500-45 | 2" X 1" X 45" CROSS BAR | 3 |  |
| G206 | RUBBER SEAT 2" X 6" | 6 |  |
| A02 | LADDER GUIDE | 2 |  |
| A06 | LADDER STOPPER | 2 |  |
| A69 | EZ-VELCRO STRAP | 2 |  |
| BG037 | PLASTIC BAR GUARD 37" | 3 |  |

EZ-Velcro Strap



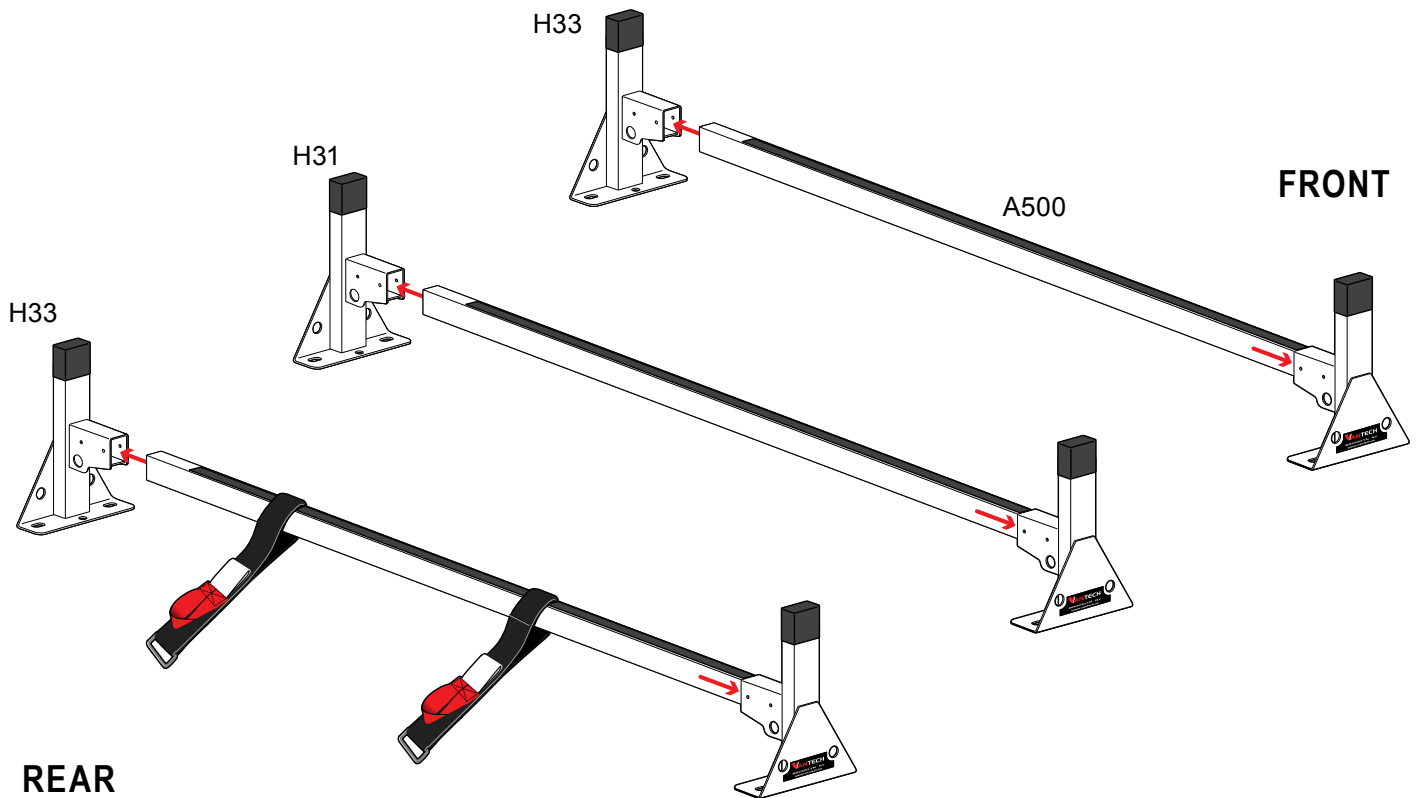
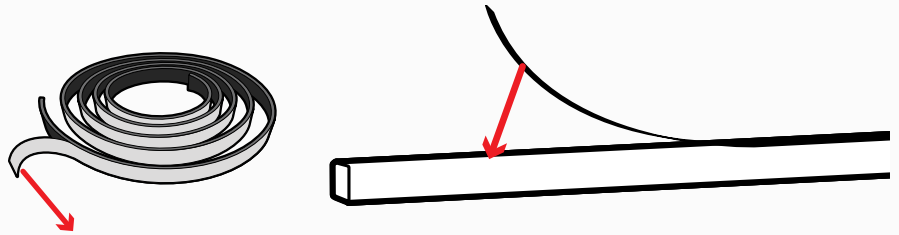
Directions



PLASTIC BAR GUARDS FOR STEEL CROSS BARS

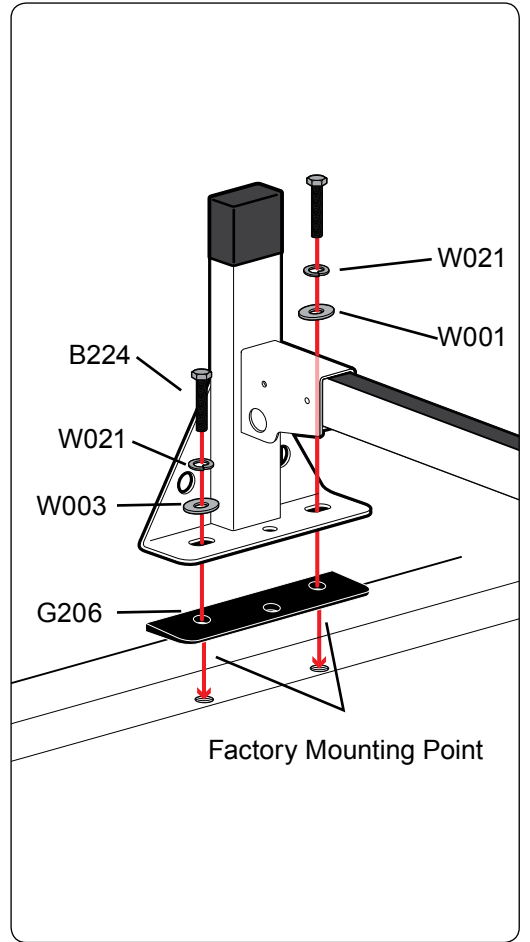
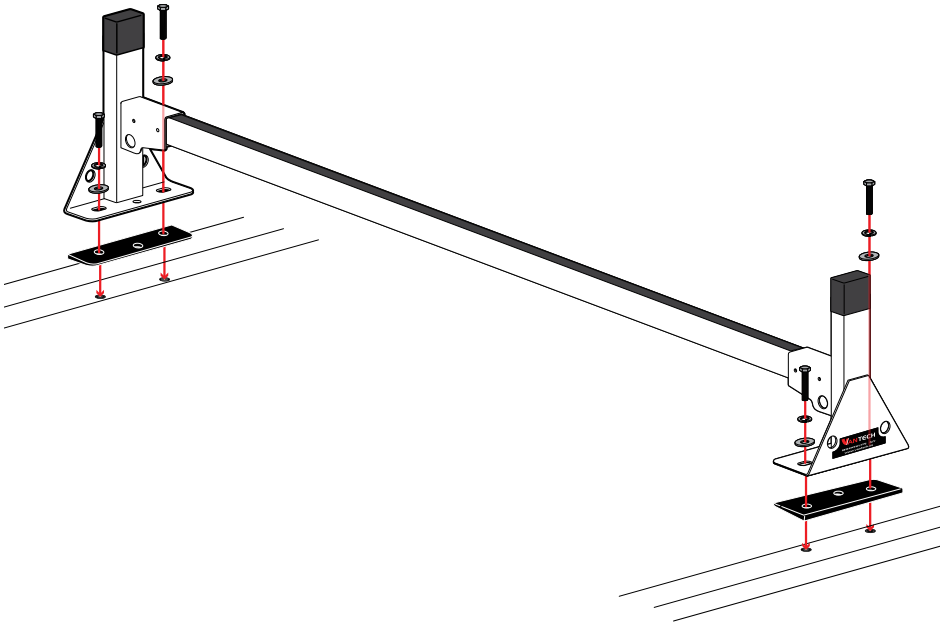
- Remove wax paper from plastic bar guard and adhere it to the top of the Cross Bar.

- Leave 4" on each end



FRONT AND REAR

H33



CENTER

H31

