

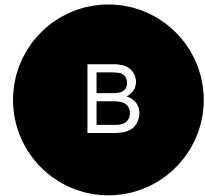


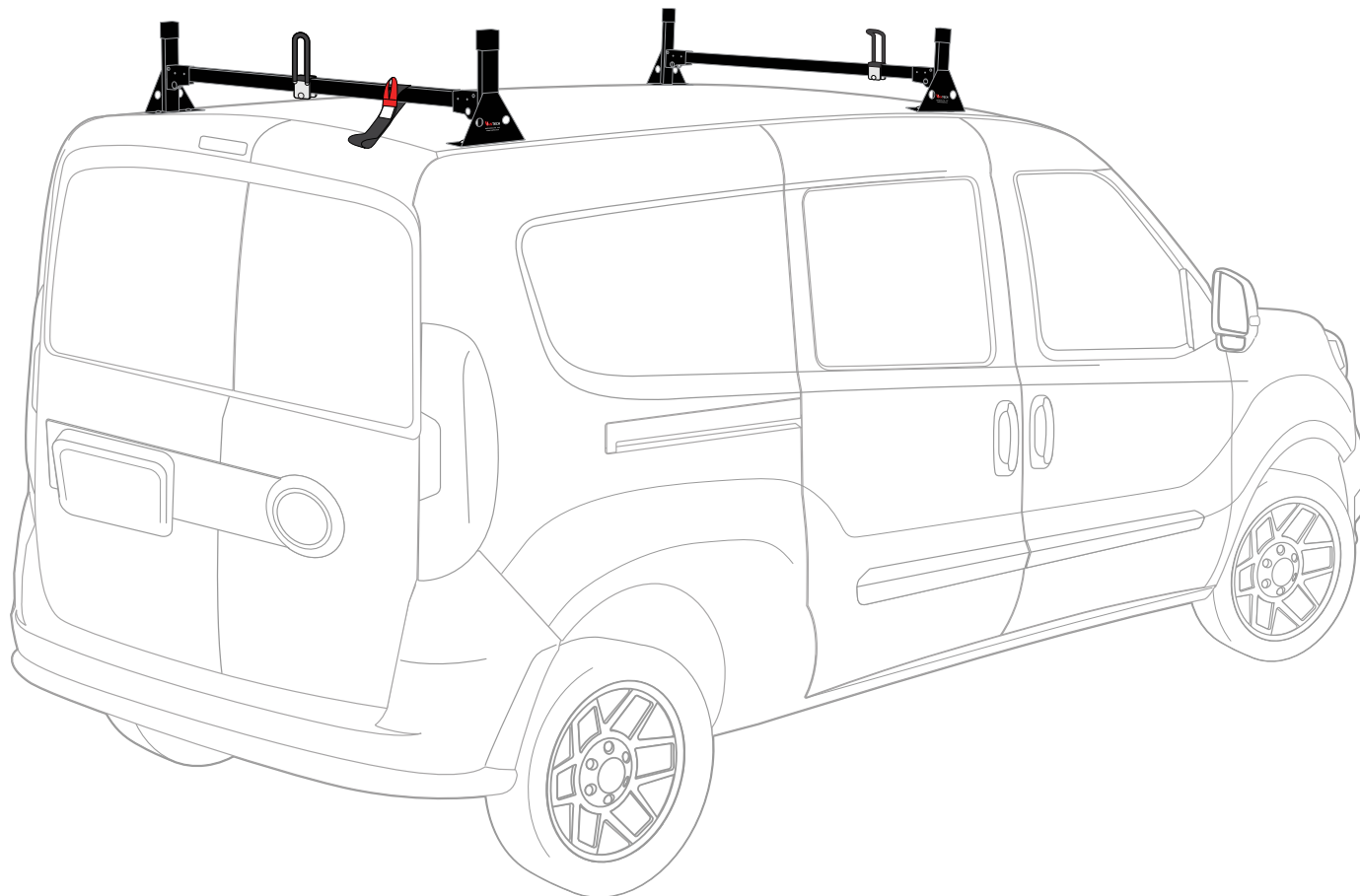
# Warehouse Use Only

---

Part #	QUANTITY
D017	1
D111	1
G206	4
H33B	4
A500-45B	2
BG037	2
A02	1
A06	1
A69	1

Part #:	H1347B
Dimensions:	8" X 8" X 46" (Telescopic)
Weight:	???





## PRODUCT INFO

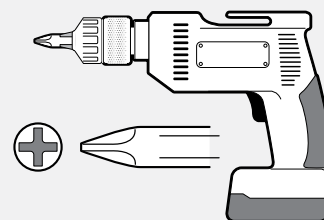
---

Part #: H1347B  
System: H1 Series  
Material: Steel  
Fitment: Ram ProMaster City 2015-On  
Color: Black

## REQUIRED TOOLS



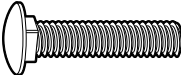
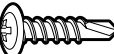
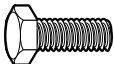

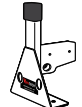
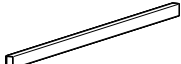





---

Power Tool With Phillips Head

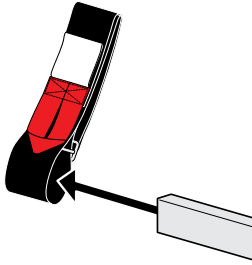


1/2" Wrench

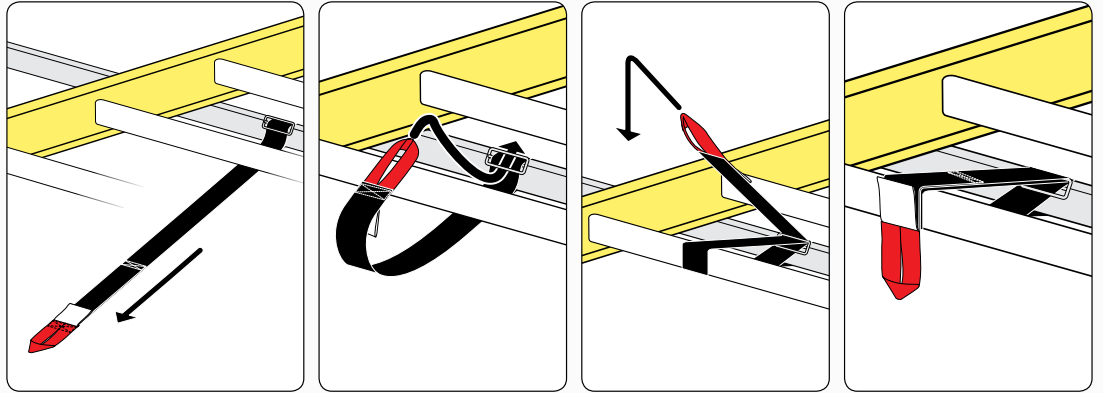


PART #	DESCRIPTION	QTY	ITEM ITEM NOT DRAWN TO SCALE
W003	1/4" X 3/4" WASHER	8	
W021	1/4" LOCK WASHER	8	
B018	1 3/4" X 5/16" CARRIAGE BOLT	2	
B201	TAP SCREW	8	
B224	M6-25 HEX BOLT	8	
N016	5/16" PLASTIC KNOB	2	
H33	H1 MOUNTING BASE	4	
A500-45	2" X 1" X 45" CROSS BAR	2	
G206	RUBBER SEAT 2" X 6"	4	
A02	LADDER GUIDE	1	
A06	LADDER STOPPER	1	
A69	EZ-VELCRO STRAP	1	
BG037	PLASTIC BAR GUARD 37"	2	

### EZ-Velcro Strap



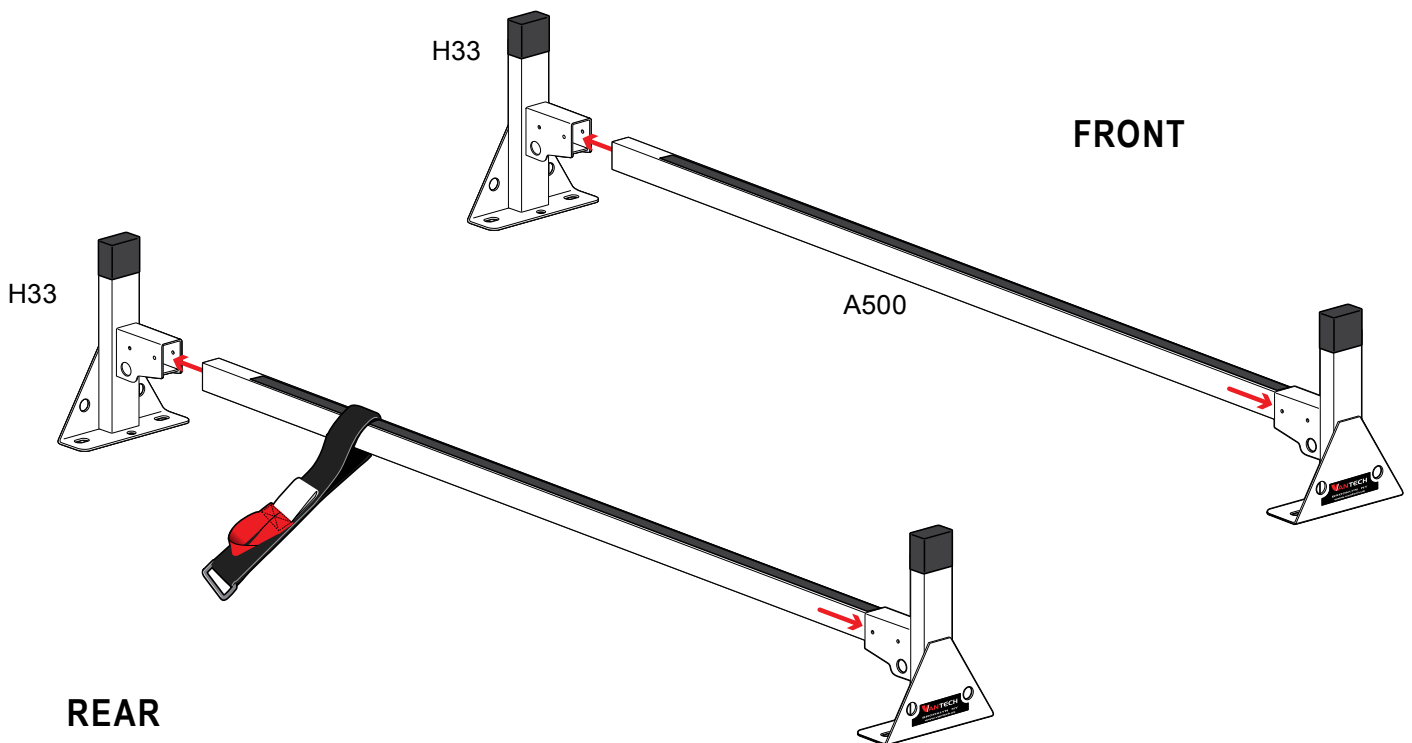
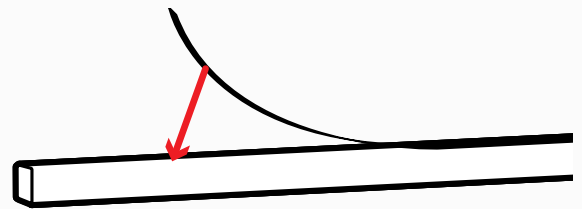
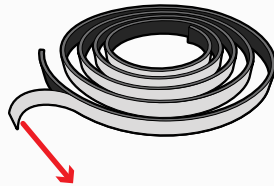
### Directions

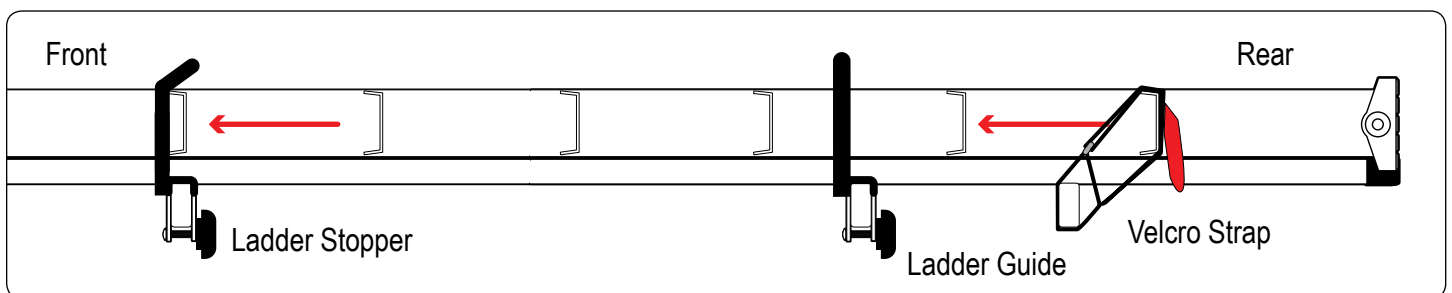
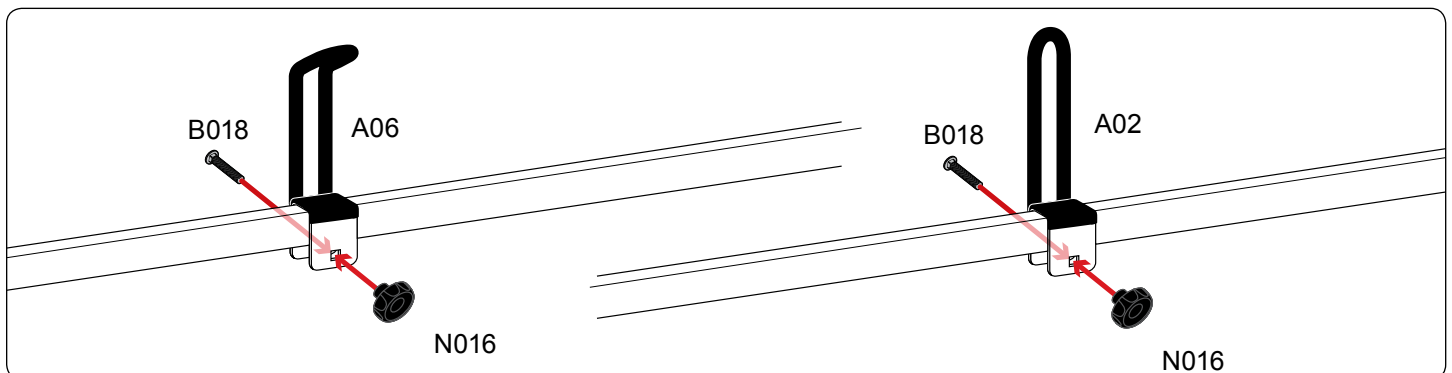
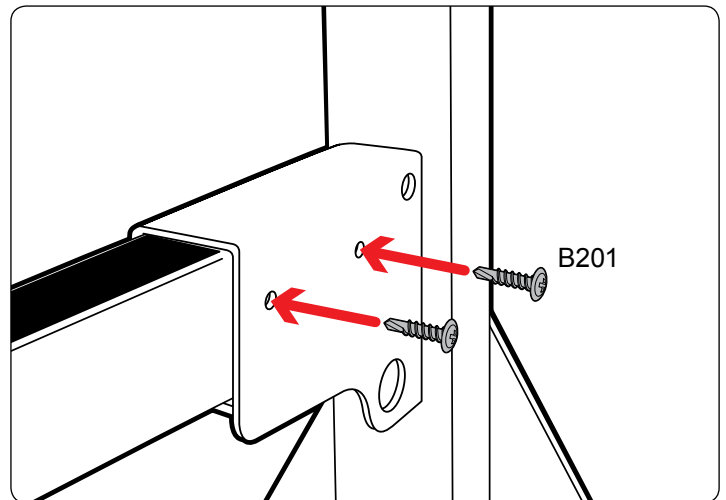
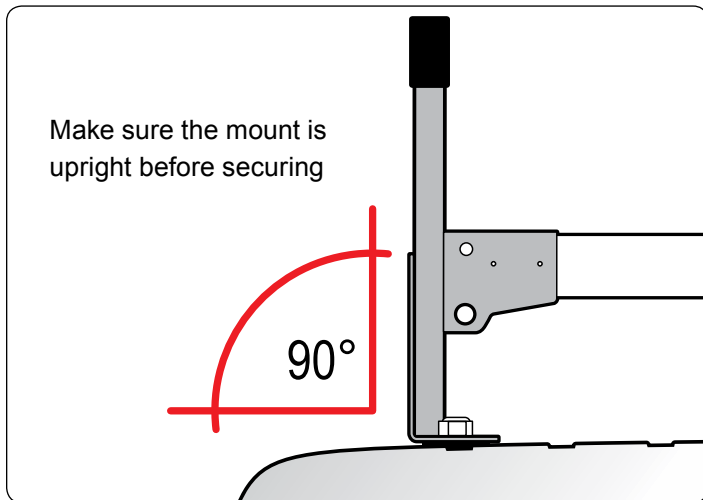
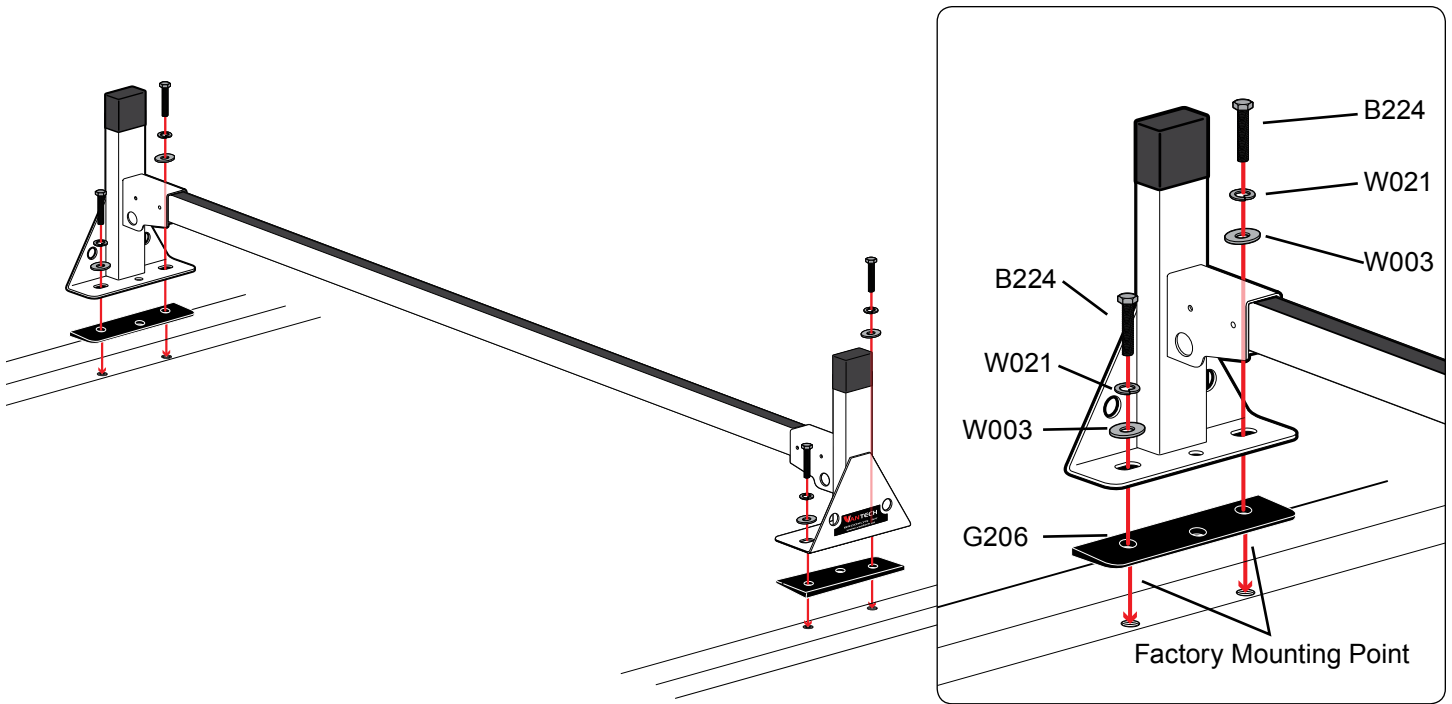


### PLASTIC BAR GUARDS FOR STEEL CROSS BARS

- Remove wax paper from plastic bar guard and adhere it to the top of the Cross Bar.

- Leave 4" on each end





Check out the collection of commercial van equipment we offer.