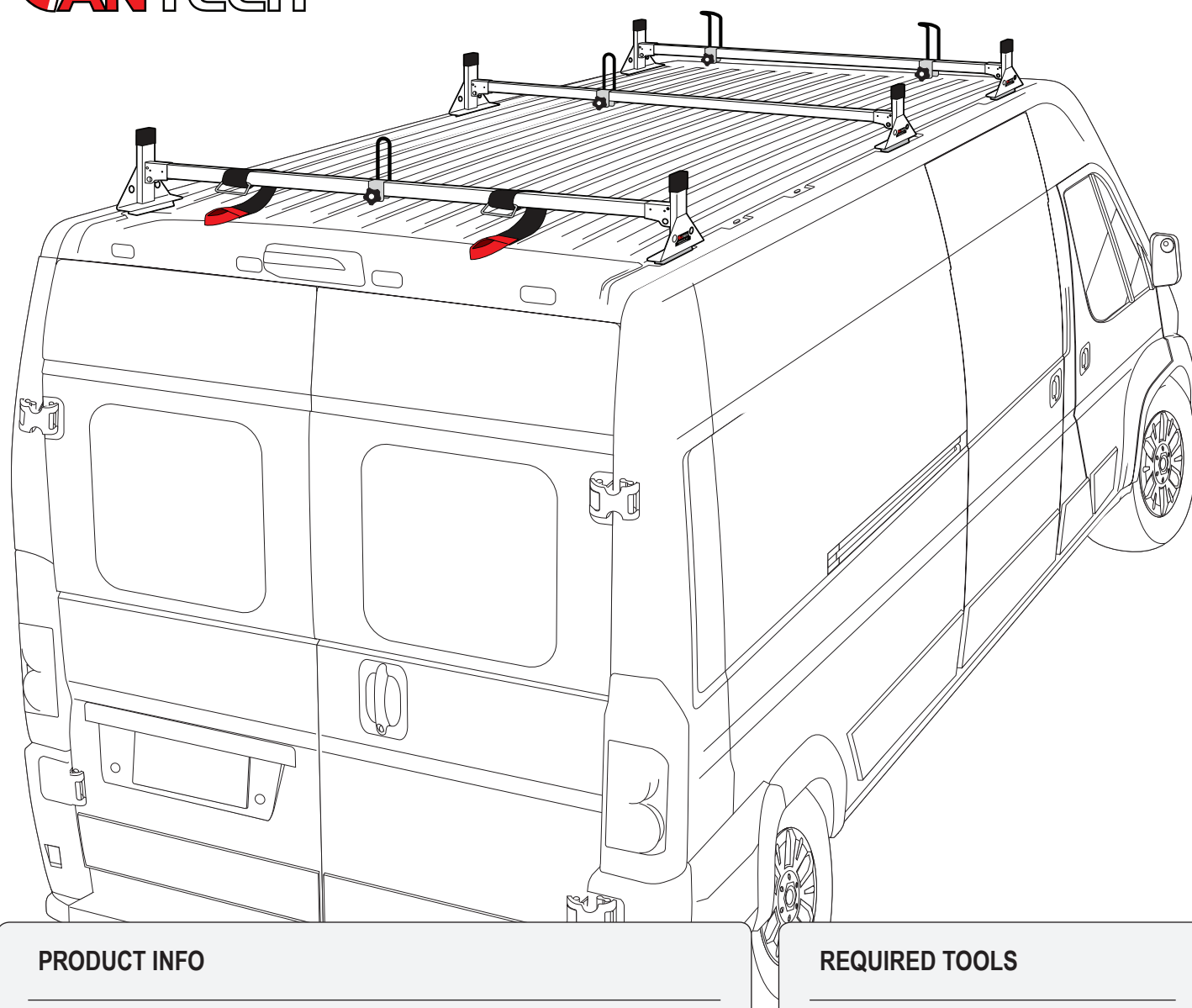


Warehouse Use Only

Part #	QUANTITY
D012	1
D112	1
H45	6
H46	6
H33B	6
A500-57B	3
BG049	3
A02	2
A06	2
A69	2

Part #:	H1343B
Dimensions:	8" X 8" X 58" (Telescopic)
Weight:	???



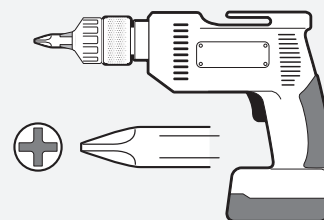


PRODUCT INFO

Part #: H1343B
System: H1 Series
Material: Steel
Fitment: RAM ProMaster 2013-On
Color: Black

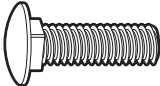

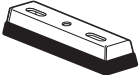
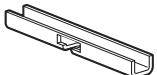

REQUIRED TOOLS

Power Tool With Phillips Head



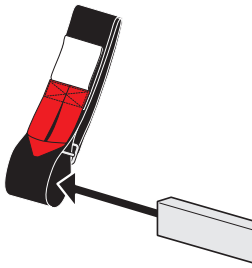
1/2" Wrench



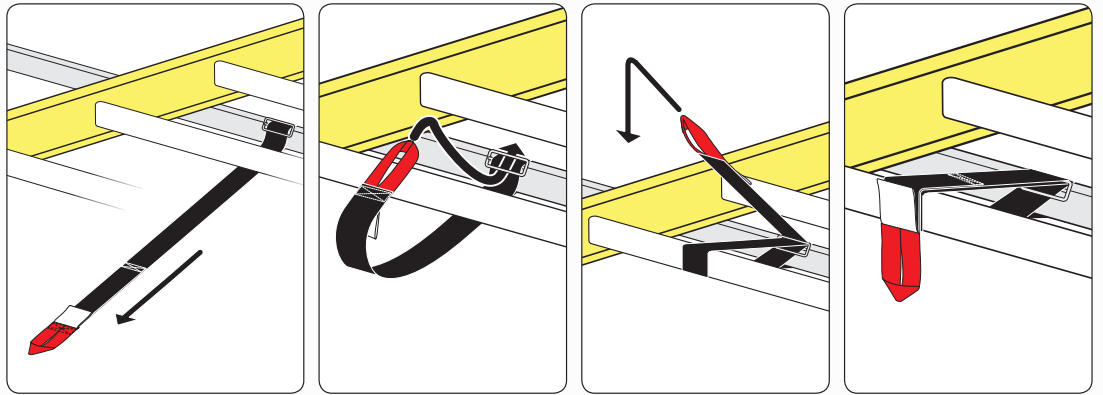
PART#	DESCRIPTION	QTY	ITEM
B016	5/16" X 1 1/4" CARRIAGE BOLT	12	
B201	1/2" PHILLIP TAP SCREW	12	
W008	5/16" X 3/4" WASHER	12	
N005	5/16" NYLON NUT	12	
B018	5/16" X 1 3/4" CARRIAGE BOLT	4	
N016	5/16" KNOB	4	
H33	H1 MOUNTING BASE	6	
A500-57	2" X 1" X 57" CROSS BAR	3	
H45	PROMASTER MOUNT TOP	6	
H46	PROMASTER MOUNT BOTTOM	6	
A02	LADDER GUIDE	2	
A06	LADDER STOPPER	2	
A69	EZ-VELCRO STRAP	2	
BG049	PLASTIC BAR GUARD 49"	3	

items not drawn to scale

EZ-Velcro Strap



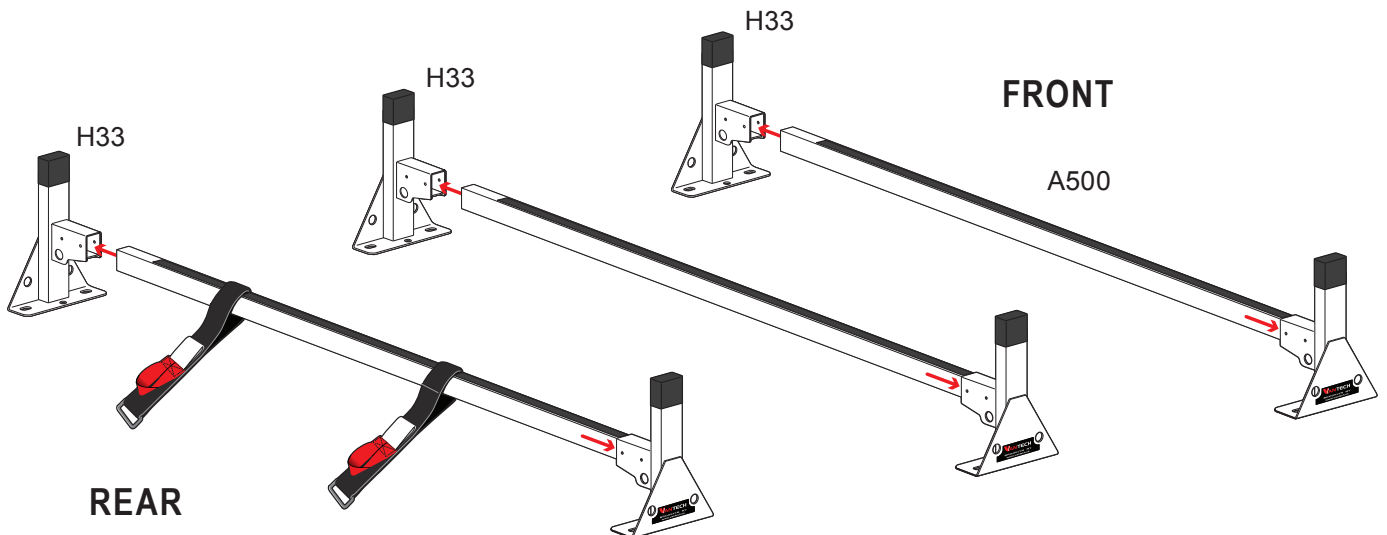
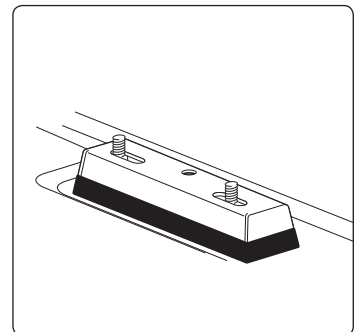
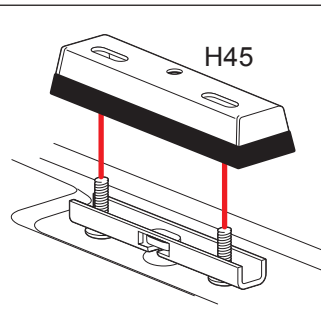
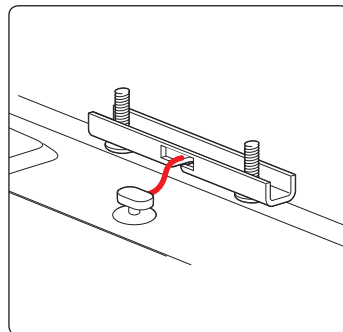
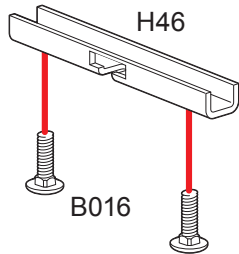
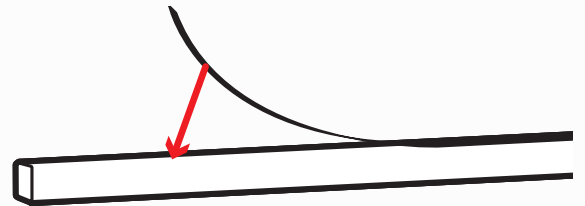
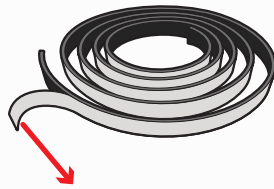
Directions

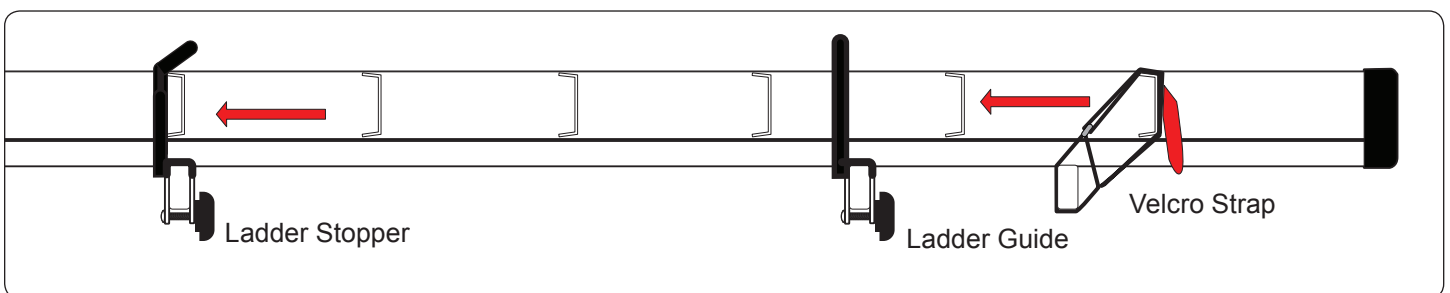
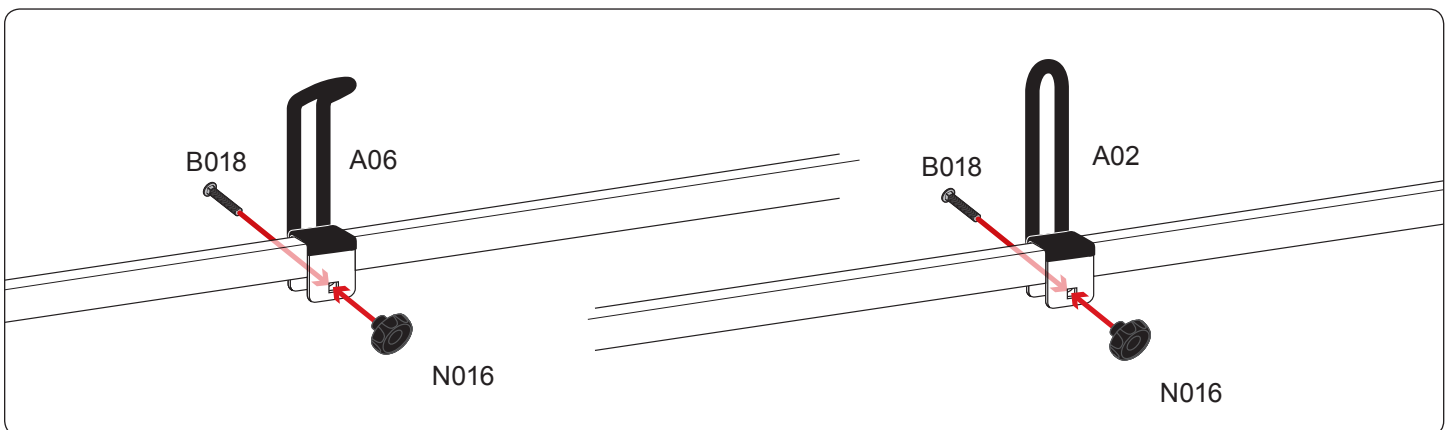
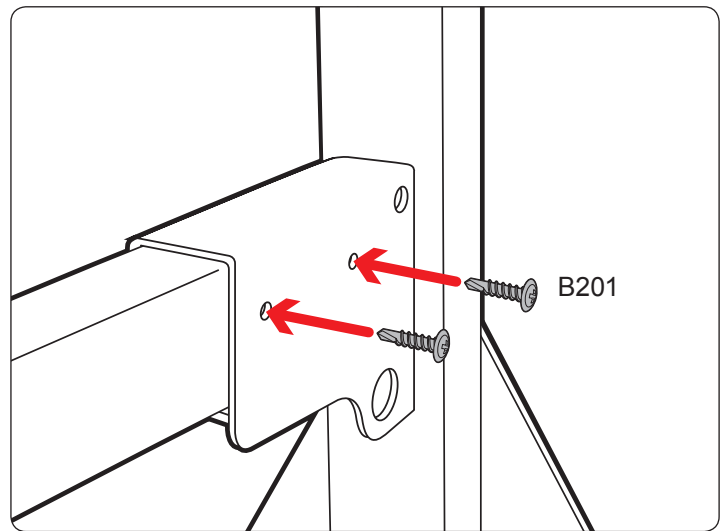
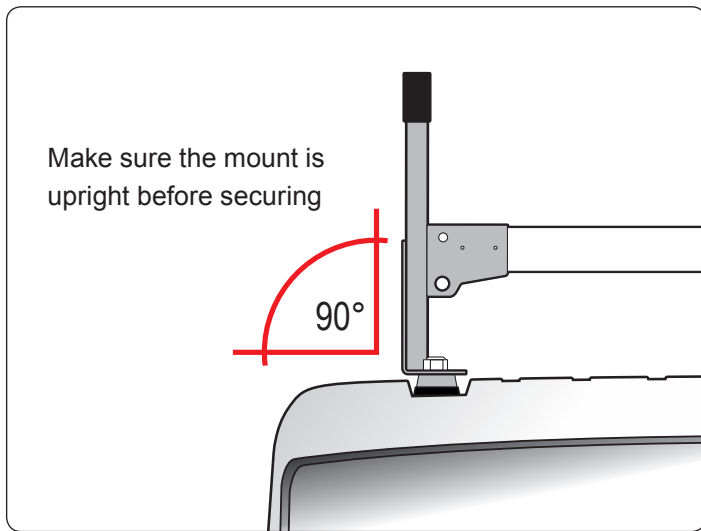
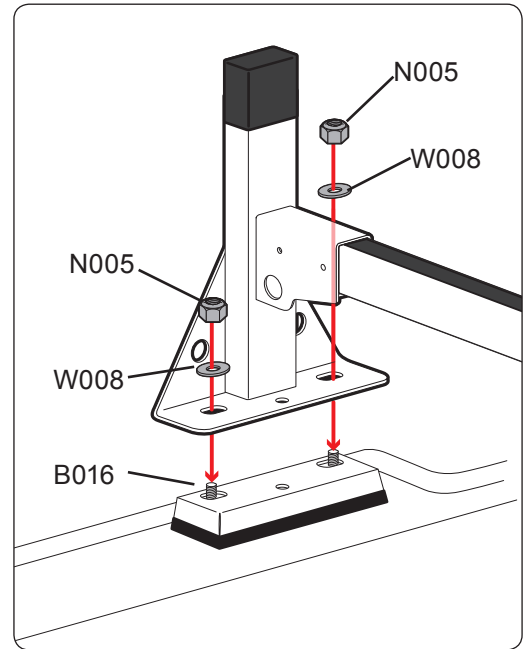
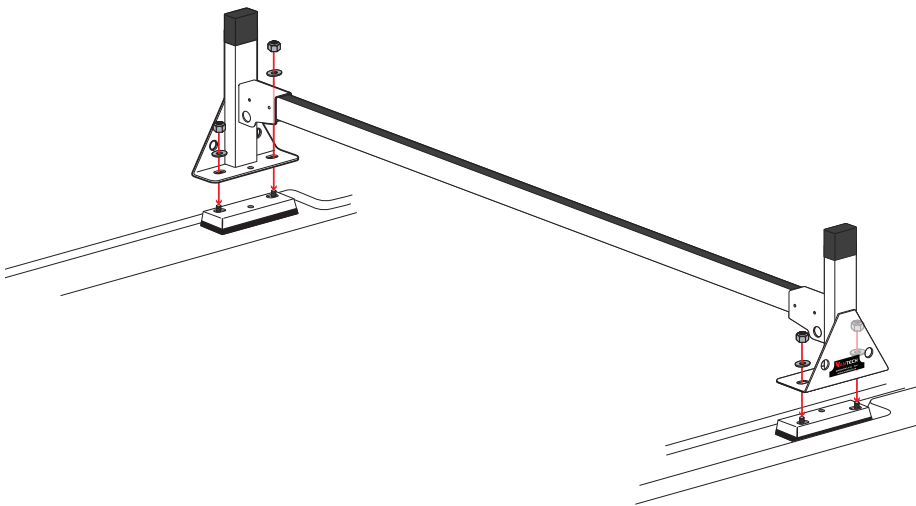


PLASTIC BAR GUARDS FOR STEEL CROSS BARS

- Remove wax paper from plastic bar guard and adhere it to the top of the Cross Bar.

- Leave 4" on each end





Vantech provides the best in truck and commercial van equipment.