

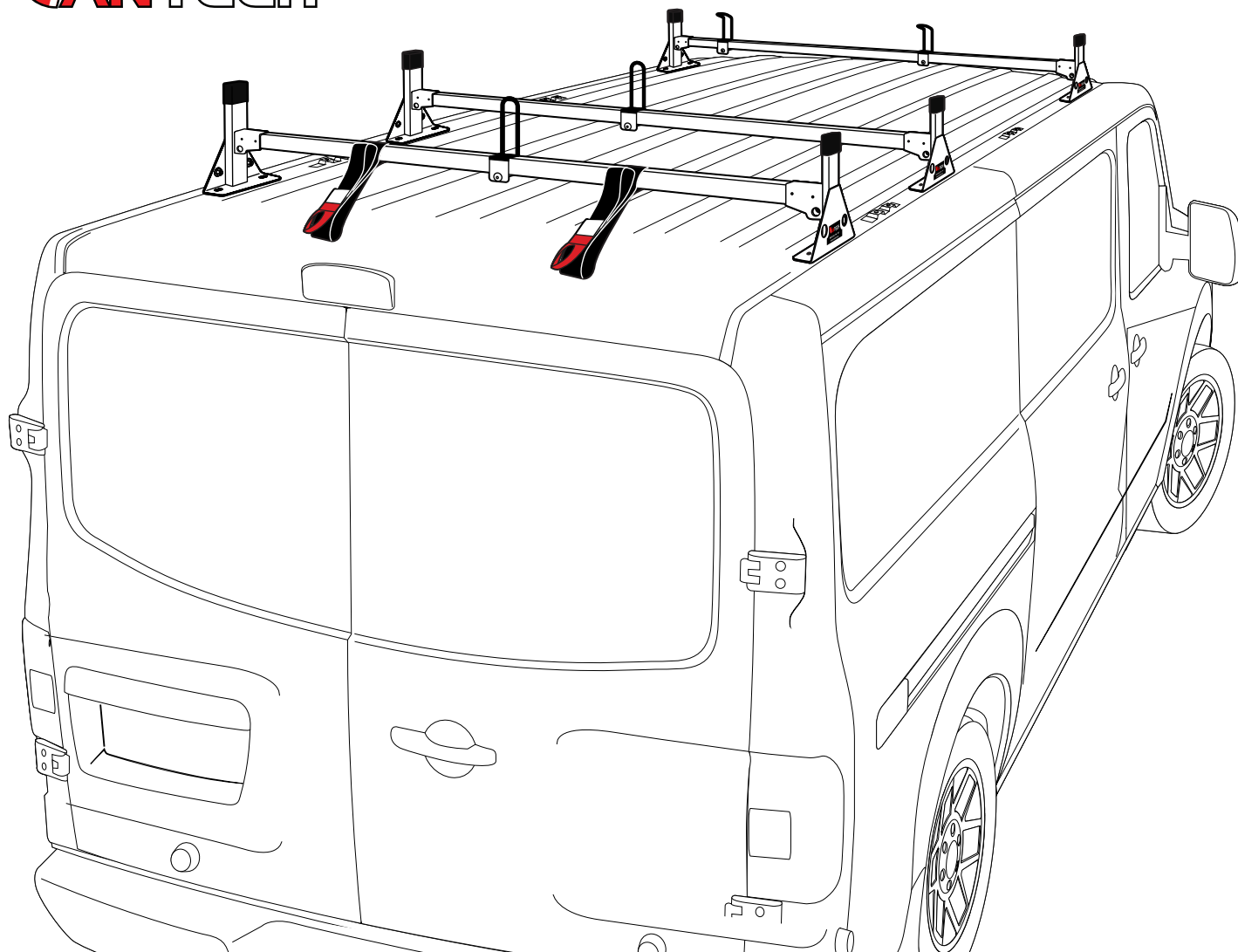
# Warehouse Use Only

---

Part #	QUANTITY
D058	1
D110	1
H34W	6
A613-57W	3
BG549	3
A02	2
A06	2
A69	2

Part #:	H1313W
Dimensions:	8" X 8" X 58" (Telescopic)
Weight:	???



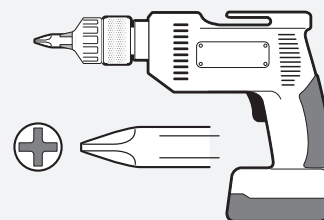


## PRODUCT INFO

Part #: H1313W  
System: H1 Series  
Material: Aluminum  
Fitment: Nissan NV Cargo 2012-On  
Color: White

## REQUIRED TOOLS

Power Tool With Phillips Head



1/2" Wrench



PART#	DESCRIPTION	QTY	ITEM
-------	-------------	-----	------

items not drawn to scale

B064	5/16" X 3/4" HEX BOLT	12	
------	-----------------------	----	---

B201	TAP SCREW	12	
------	-----------	----	---

W022	5/16" LOCK WASHER	12	
------	-------------------	----	---

W008	5/16" X 3/4" WASHER	24	
------	---------------------	----	---

N013	5/16" CAGE NUT	12	
------	----------------	----	---

B018	5/16" X 1 3/4" CARRIAGE BOLT	4	
------	------------------------------	---	--

N016	5/16" KNOB	4	
------	------------	---	---

H34	H1 MOUNTING BASE	6	
-----	------------------	---	---

A613-57	2" X 1" X 57" CROSS BAR	3	
---------	-------------------------	---	---

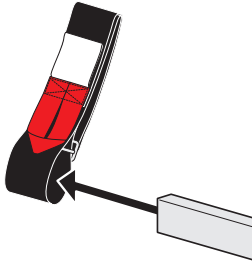
A02	LADDER GUIDE	2	
-----	--------------	---	---

A06	LADDER STOPPER	2	
-----	----------------	---	---

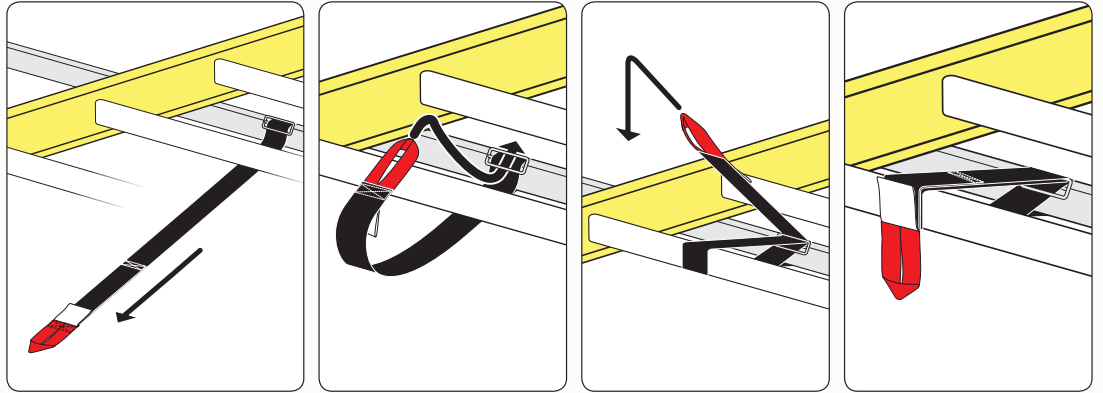
A69	EZ-VELCRO STRAP	2	
-----	-----------------	---	---

BG549	RUBBER BAR GUARD 49"	3	
-------	----------------------	---	---

## EZ-Velcro Strap

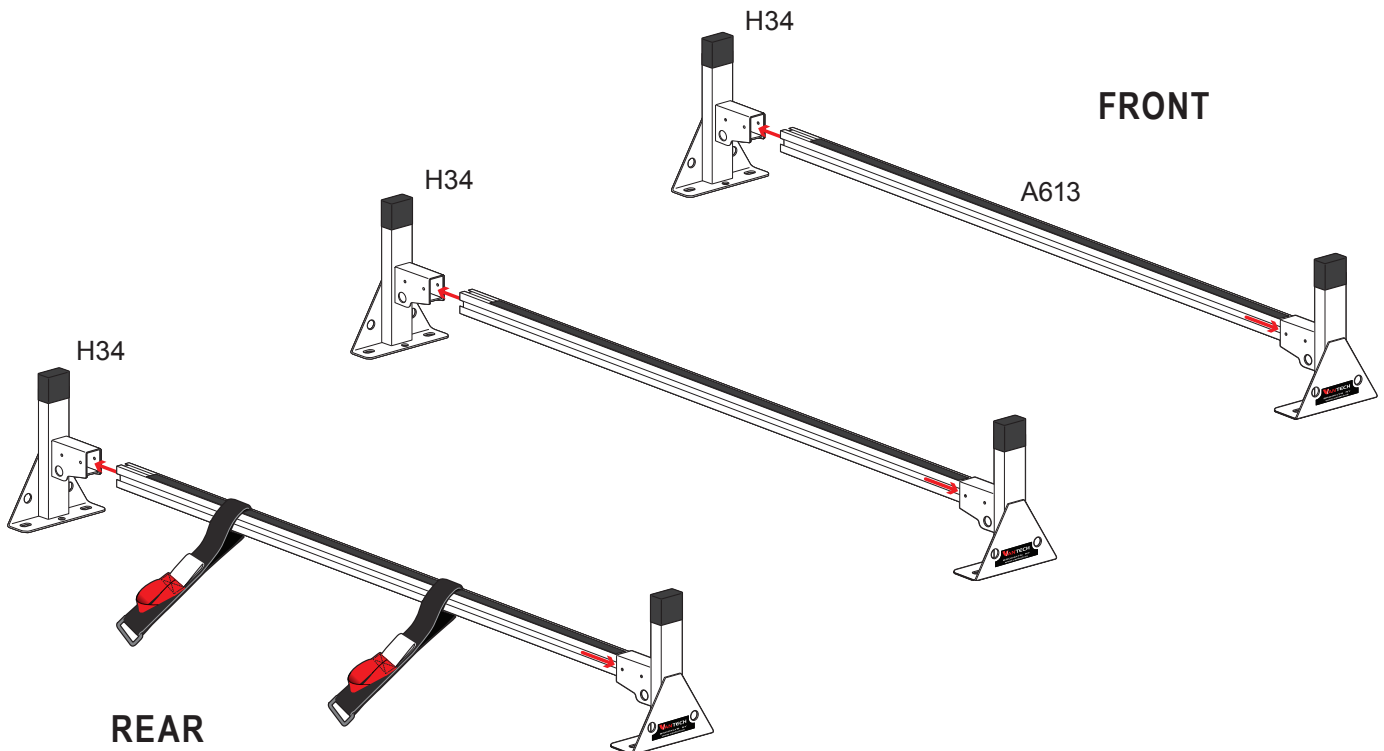


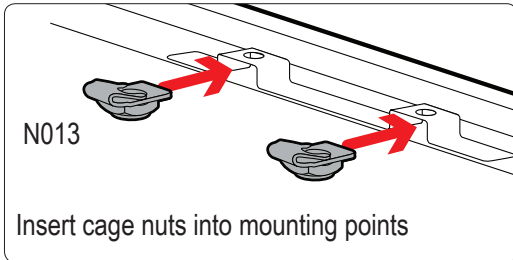
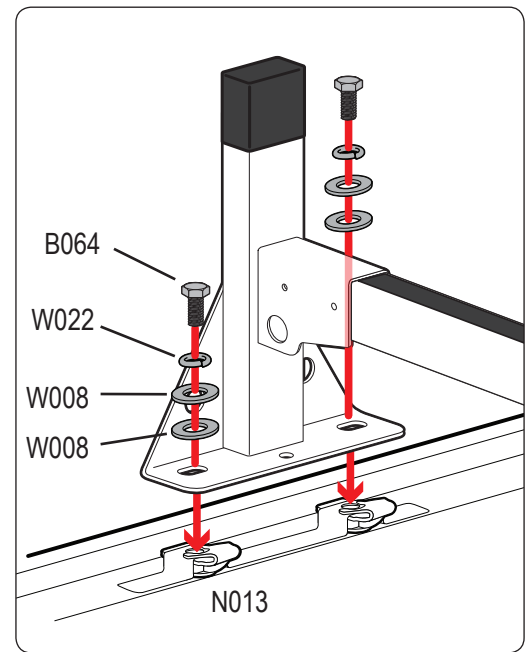
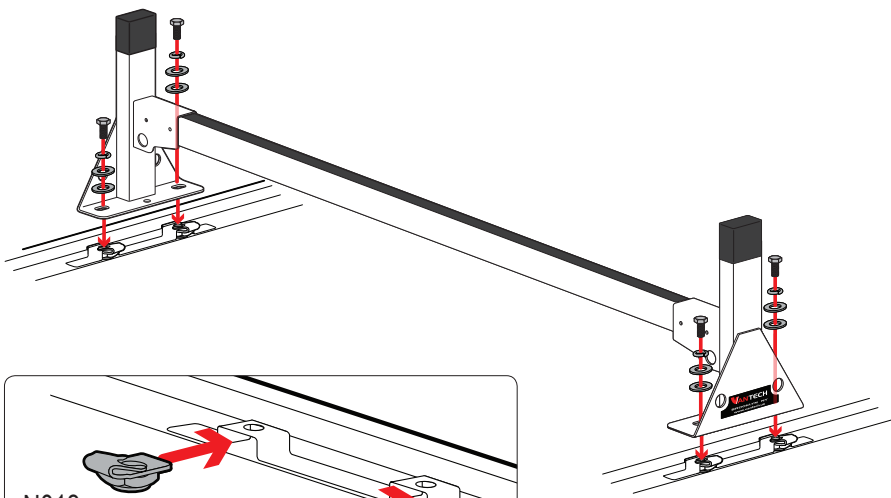
## Directions



## RUBBER BAR GUARDS

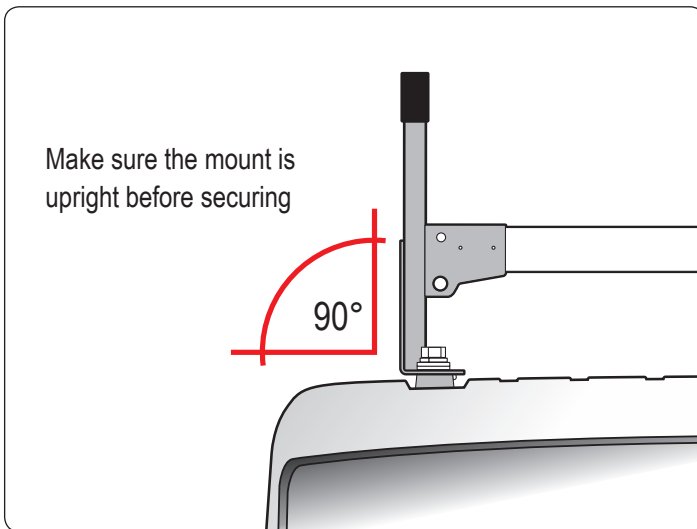
- Press the rubber bar guard into the channels of cross bars
- Leave 4" on each end





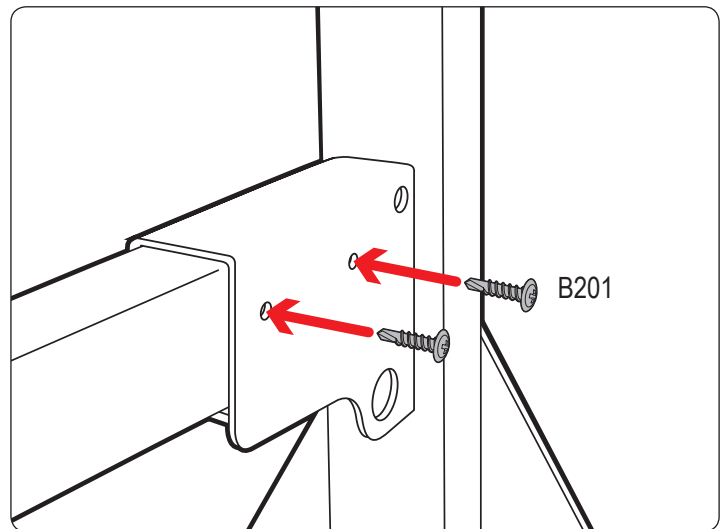
N013

Insert cage nuts into mounting points

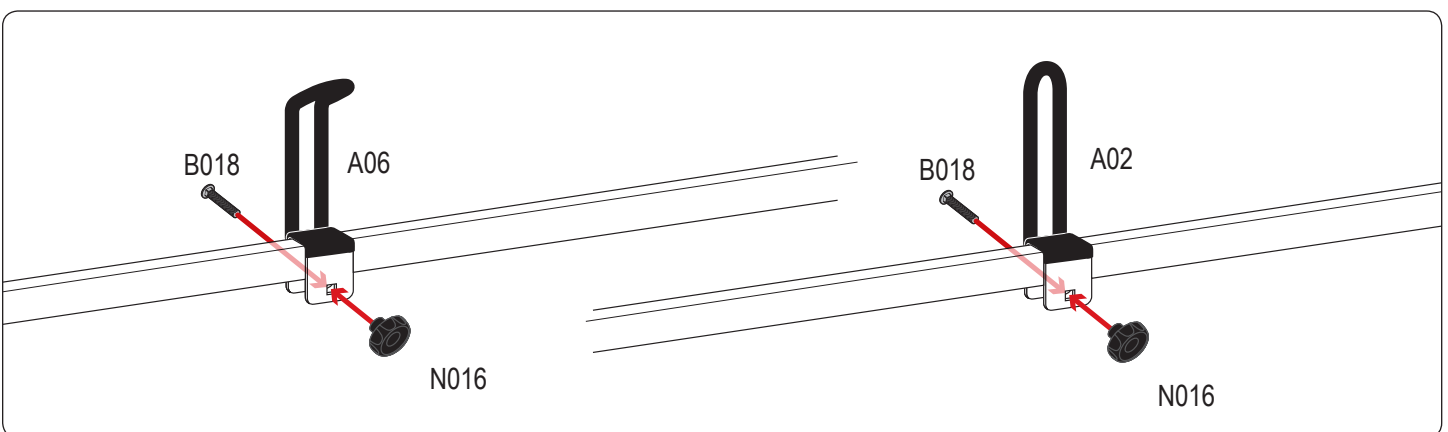


Make sure the mount is upright before securing

90°



B201



B018

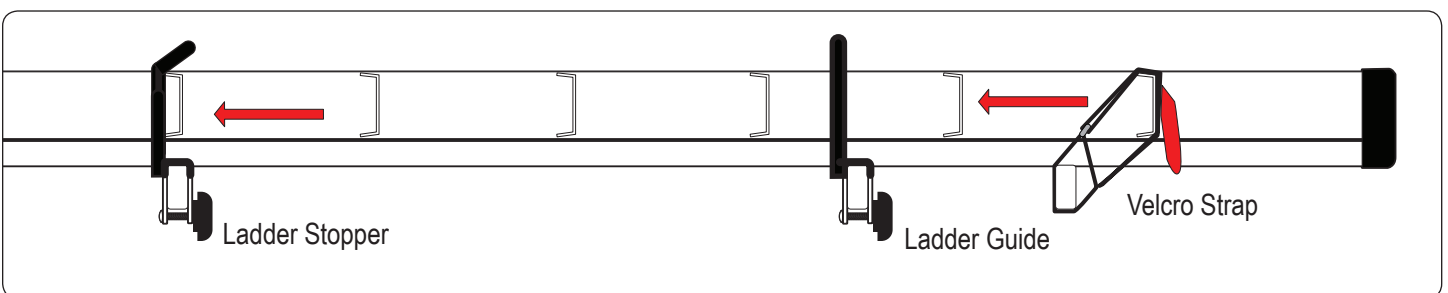
A06

N016

B018

A02

N016



Ladder Stopper

Ladder Guide

Velcro Strap

Vantech provides the best in truck and commercial van equipment.