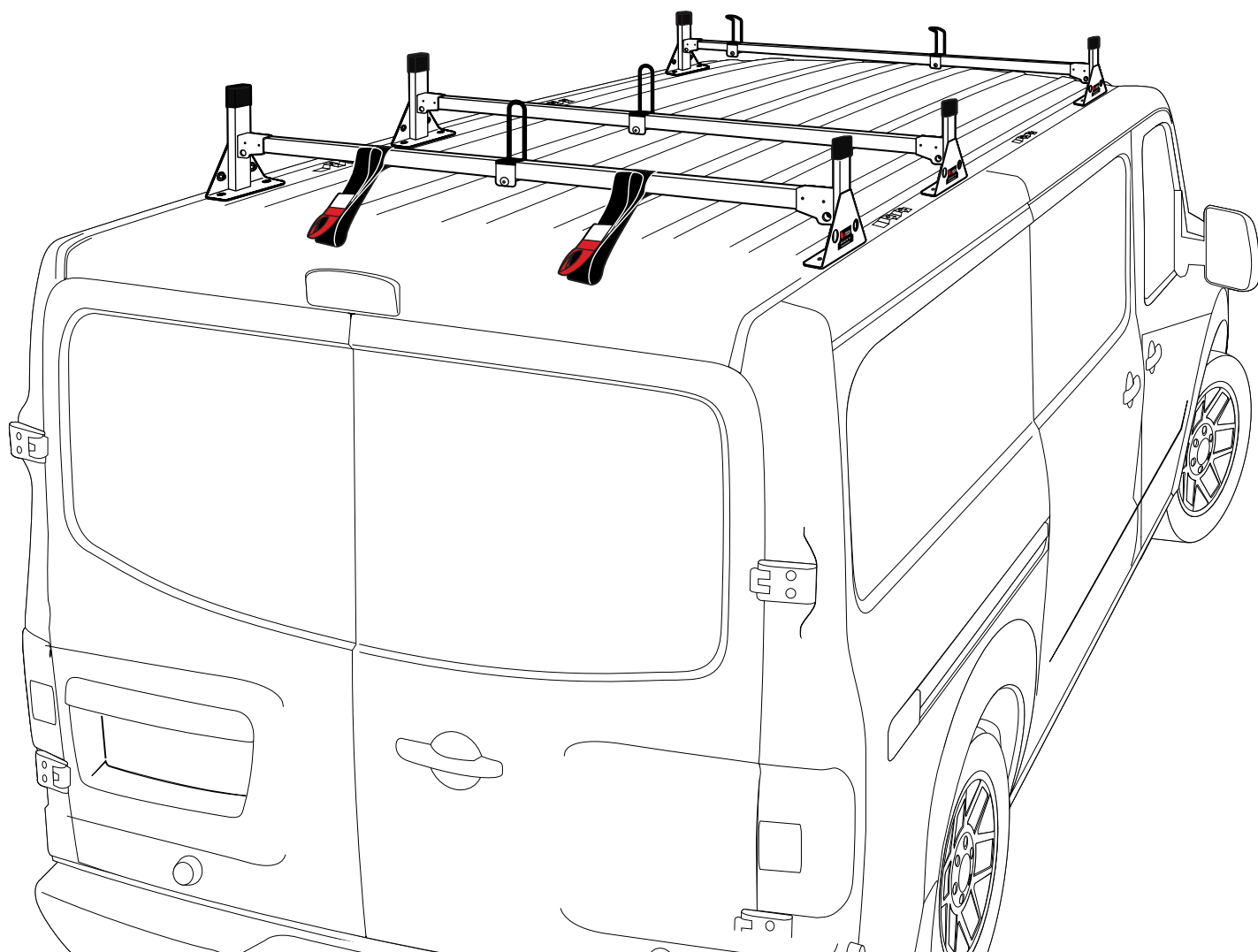


Warehouse Use Only

Part #	QUANTITY
D058	1
D110	1
H34B	6
A613-57B	3
BG549	3
A02	2
A06	2
A69	2

Part #:	H1313B
Dimensions:	8" X 8" X 58" (Telescopic)
Weight:	???



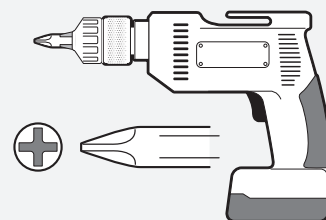


PRODUCT INFO

Part #: H1313B
System: H1 Series
Material: Aluminum
Fitment: Nissan NV Cargo 2012-On
Color: Black

REQUIRED TOOLS

Power Tool With Phillips Head



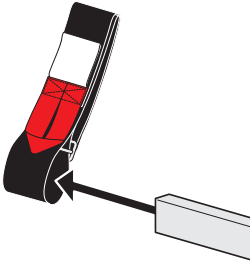
1/2" Wrench



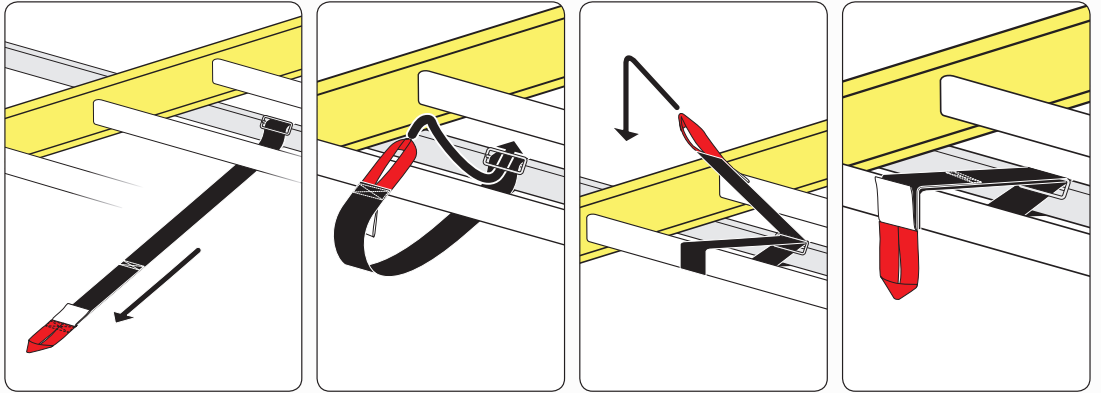
PART#	DESCRIPTION	QTY	ITEM
B064	5/16" X 3/4" HEX BOLT	12	
B201	TAP SCREW	12	
W022	5/16" LOCK WASHER	12	
W008	5/16" X 3/4" WASHER	24	
N013	5/16" CAGE NUT	12	
B018	5/16" X 1 3/4" CARRIAGE BOLT	4	
N016	5/16" KNOB	4	
H34	H1 MOUNTING BASE	6	
A613-57	2" X 1" X 57" CROSS BAR	3	
A02	LADDER GUIDE	2	
A06	LADDER STOPPER	2	
A69	EZ-VELCRO STRAP	2	
BG549	RUBBER BAR GUARD 49"	3	

items not drawn to scale

EZ-Velcro Strap

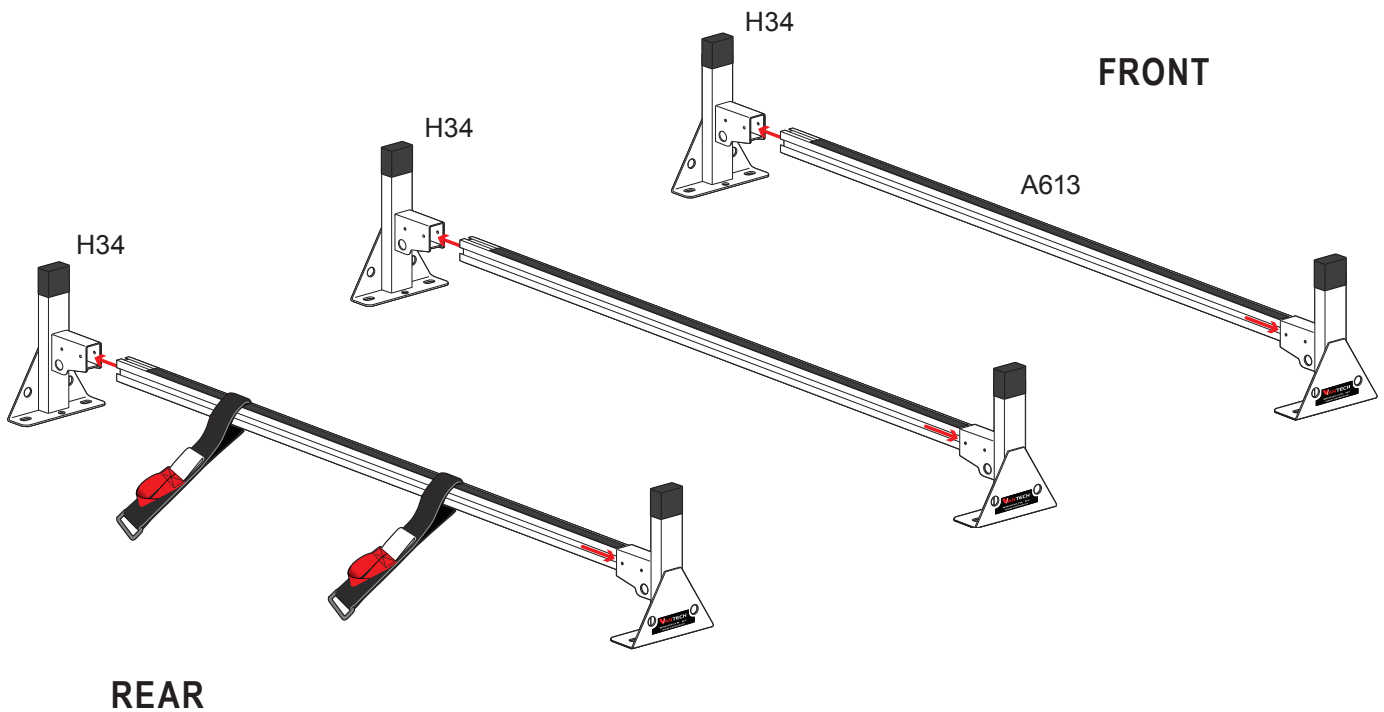


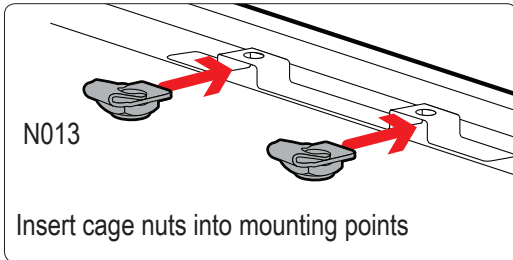
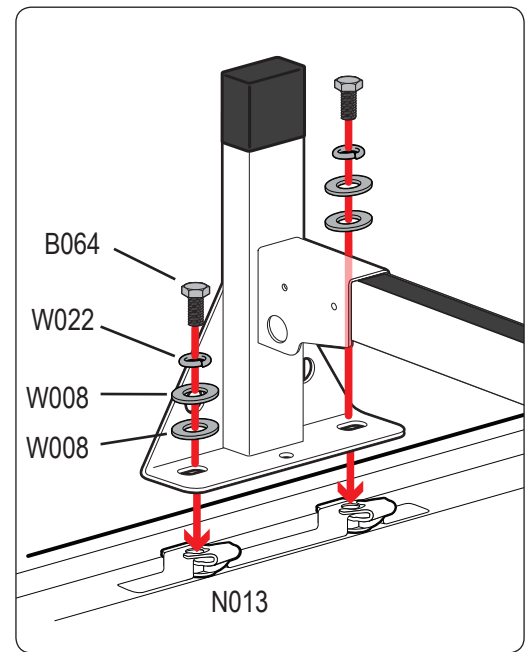
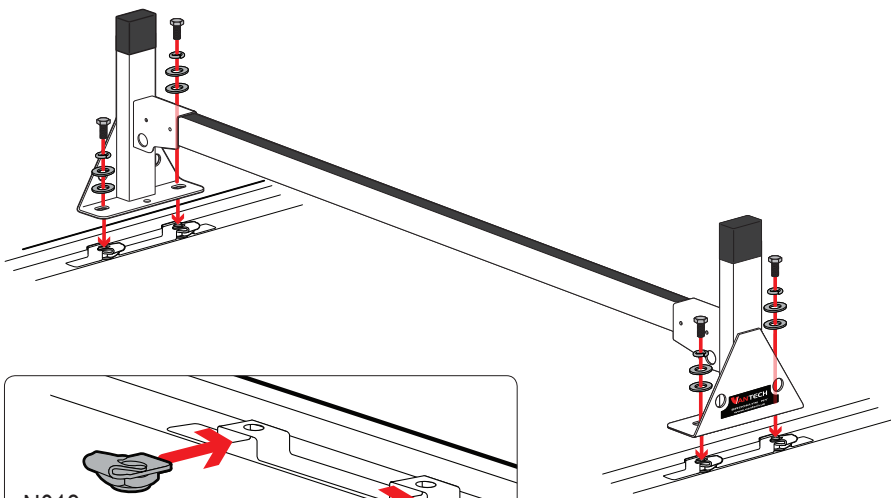
Directions



RUBBER BAR GUARDS

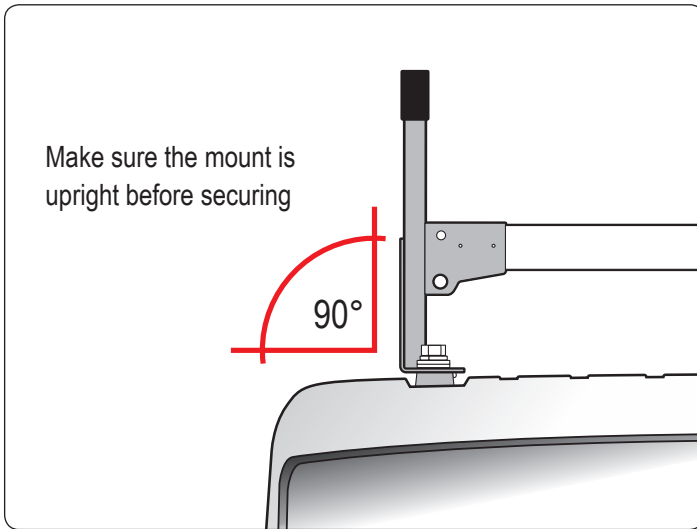
- Press the rubber bar guard into the channels of cross bars
- Leave 4" on each end





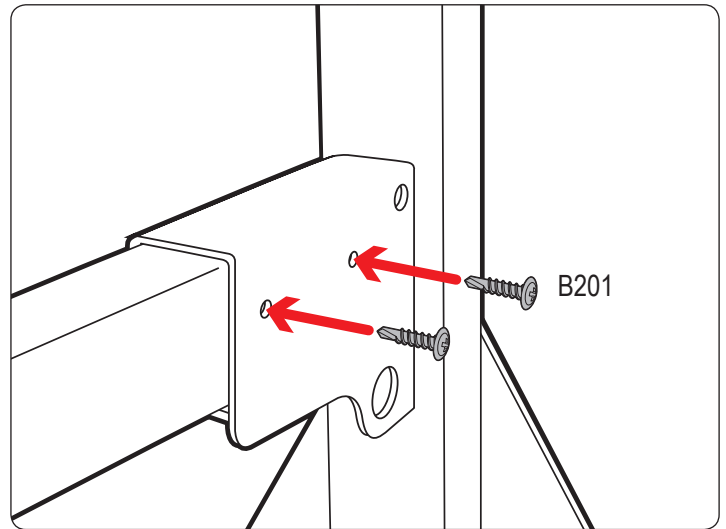
N013

Insert cage nuts into mounting points

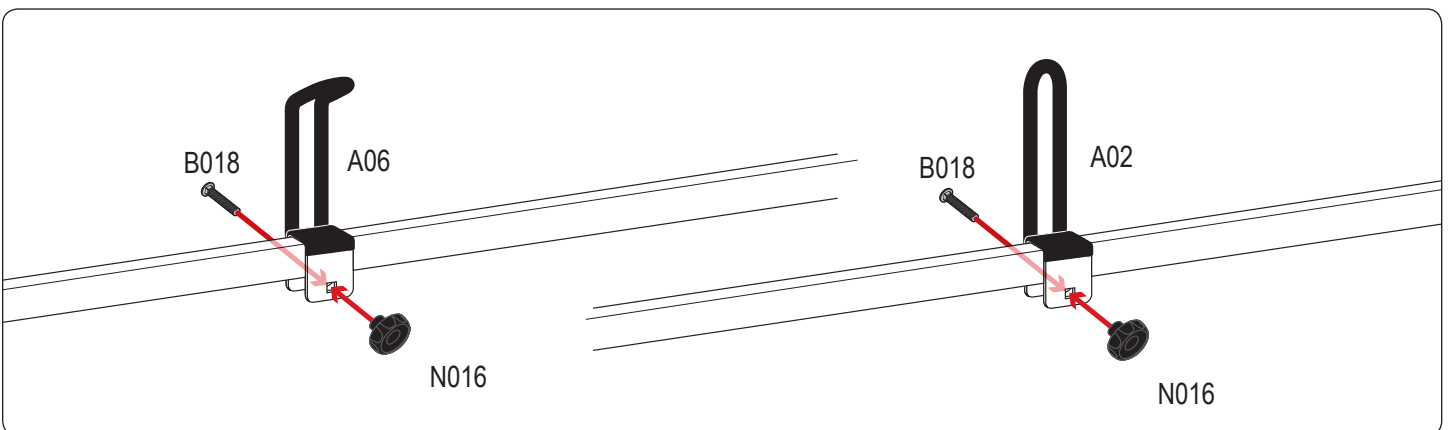


Make sure the mount is upright before securing

90°



B201



B018

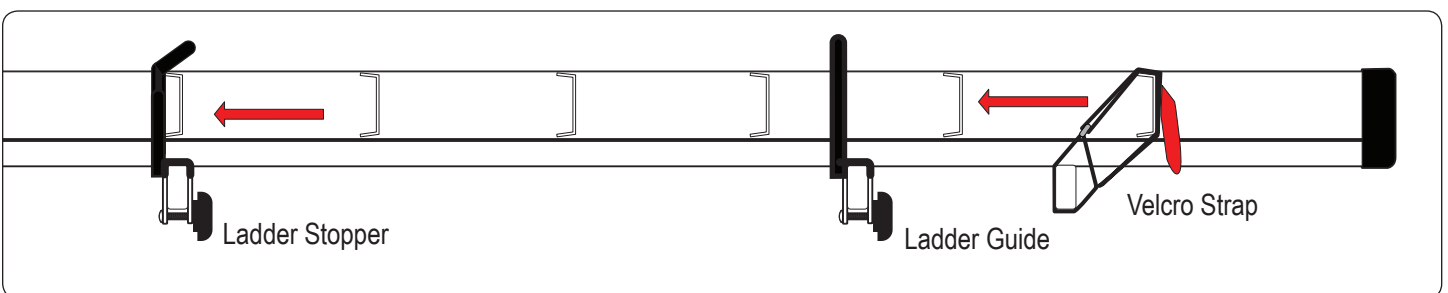
A06

N016

B018

A02

N016



Ladder Stop

Ladder Guide

Velcro Strap

Vantech provides the best in truck and commercial van equipment.