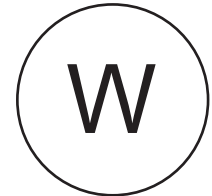


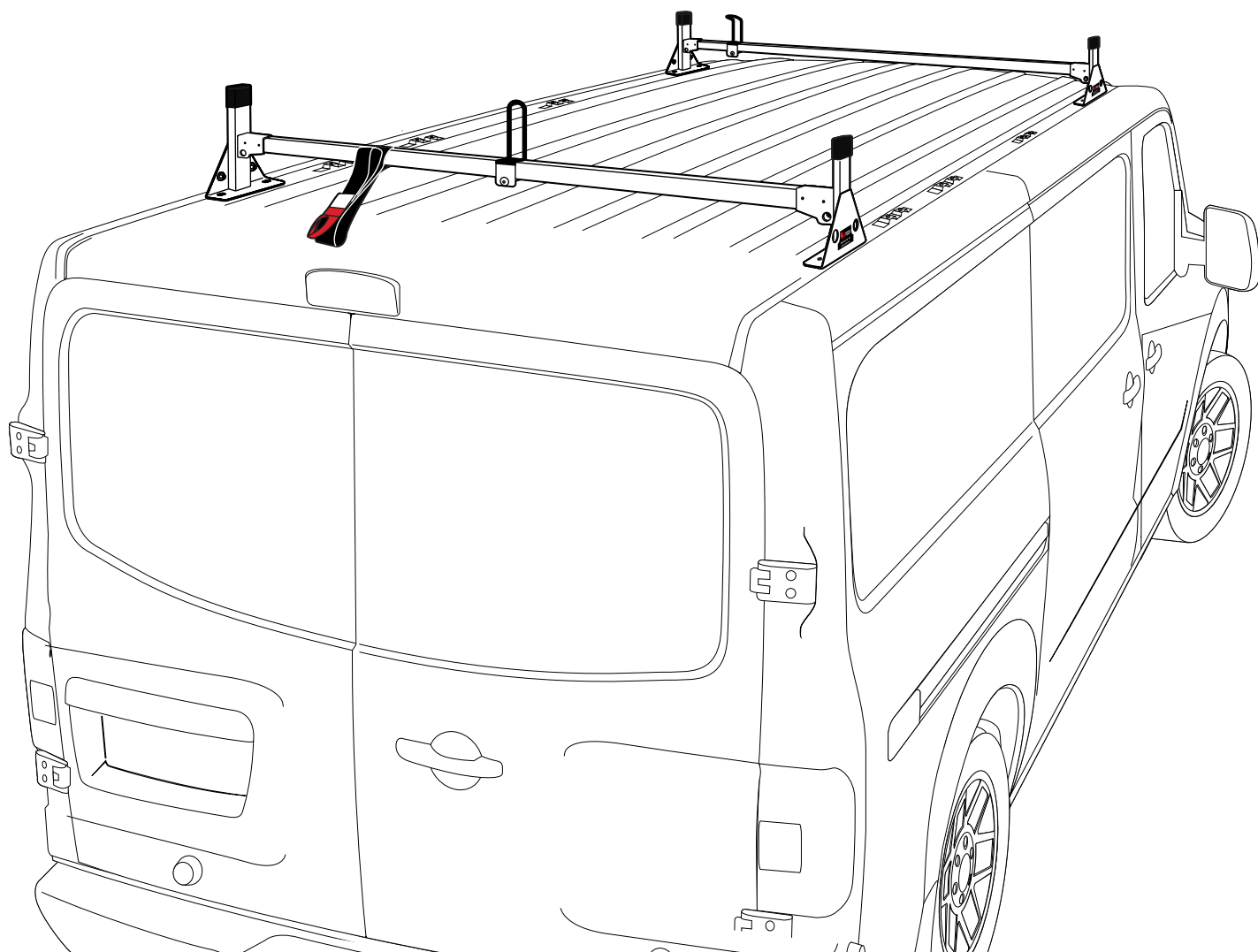
# Warehouse Use Only

---

Part #	QUANTITY
D057	1
D109	1
H34W	4
A613-57W	2
BG549	2
A02	1
A06	1
A69	1

Part #:	H1312W
Dimensions:	8" X 8" X 58" (Telescopic)
Weight:	???





### PRODUCT INFO

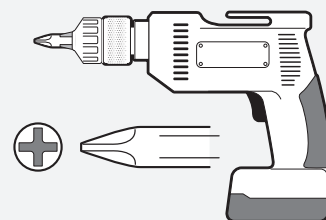
---

Part #: H1312W  
System: H1 Series  
Material: Aluminum  
Fitment: Nissan NV Cargo 2012-On  
Color: White

### REQUIRED TOOLS

---

Power Tool With Phillips Head



1/2" Wrench



PART#	DESCRIPTION	QTY	ITEM
-------	-------------	-----	------


items not drawn to scale

B064	5/16" X 3/4" HEX BOLT	8	
------	-----------------------	---	---

B201	TAP SCREW	8	
------	-----------	---	---

W022	5/16" LOCK WASHER	8	
------	-------------------	---	---

W008	5/16" X 3/4" WASHER	16	
------	---------------------	----	---

N013	5/16" CAGE NUT	8	
------	----------------	---	---

B018	5/16" X 1 3/4" CARRIAGE BOLT	2	
------	------------------------------	---	--

N016	5/16" KNOB	2	
------	------------	---	---

H34	H1 MOUNTING BASE	4	
-----	------------------	---	---

A613-57	2" X 1" X 57" CROSS BAR	2	
---------	-------------------------	---	---

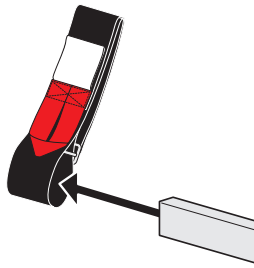
A02	LADDER GUIDE	1	
-----	--------------	---	---

A06	LADDER STOPPER	1	
-----	----------------	---	---

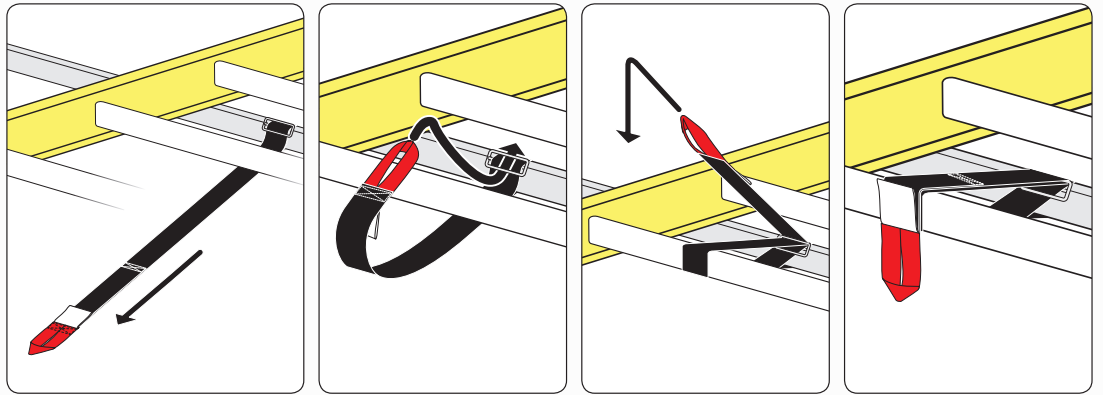
A69	EZ-VELCRO STRAP	1	
-----	-----------------	---	---

BG549	RUBBER BAR GUARD 49"	2	
-------	----------------------	---	---

### EZ-Velcro Strap

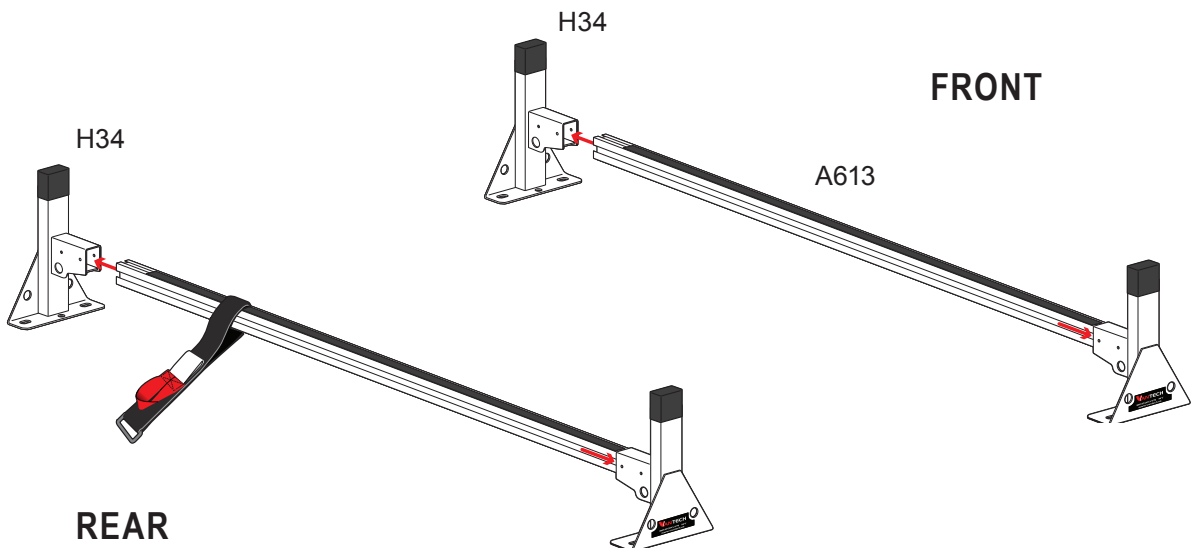


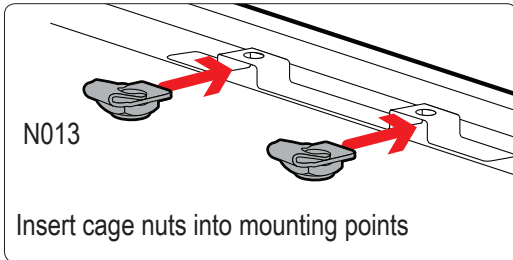
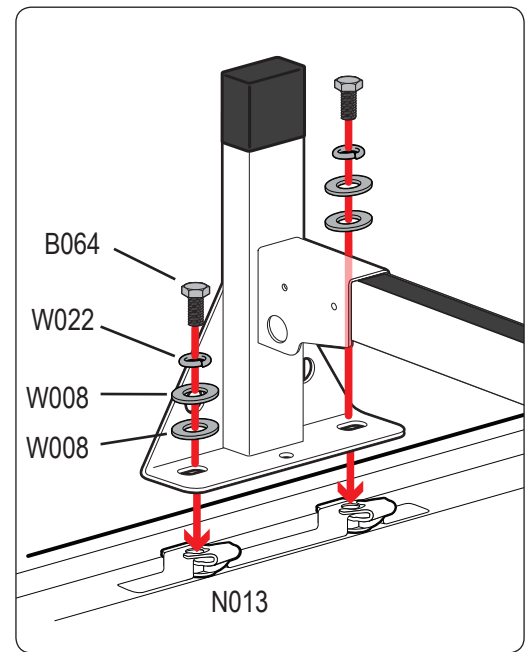
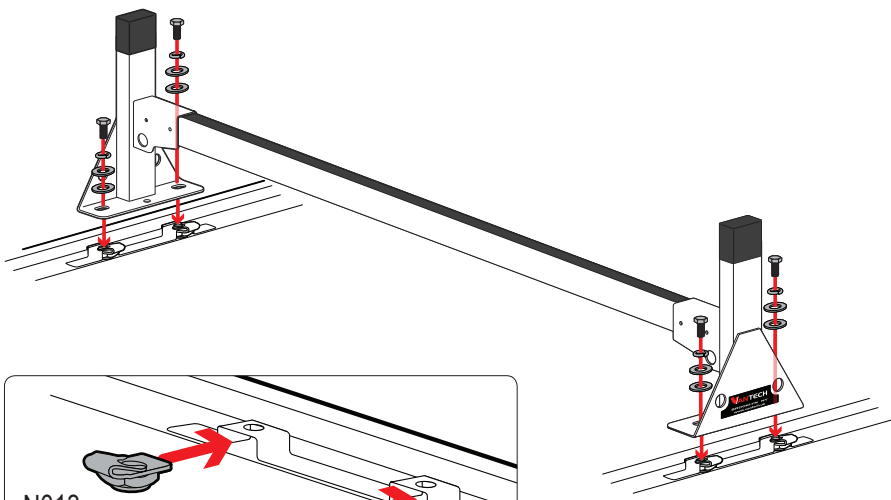
### Directions



### RUBBER BAR GUARDS

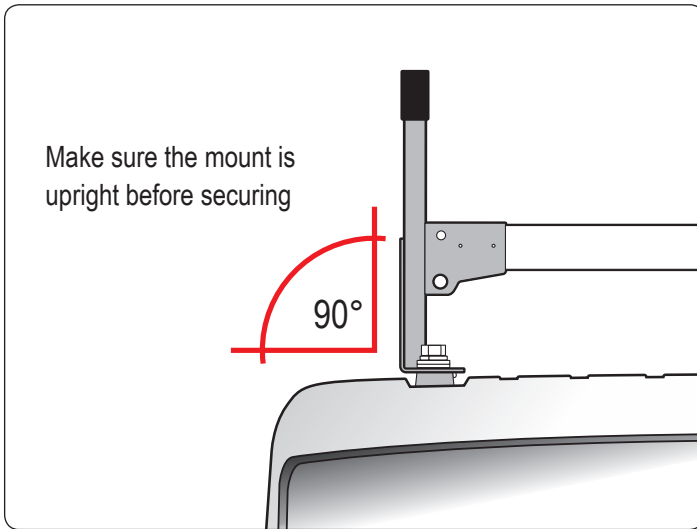
- Press the rubber bar guard into the channels of cross bars
- Leave 4" on each end





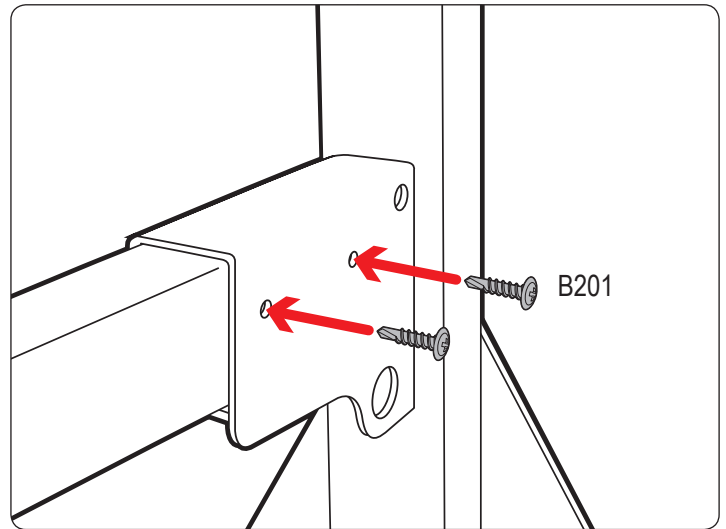
N013

Insert cage nuts into mounting points

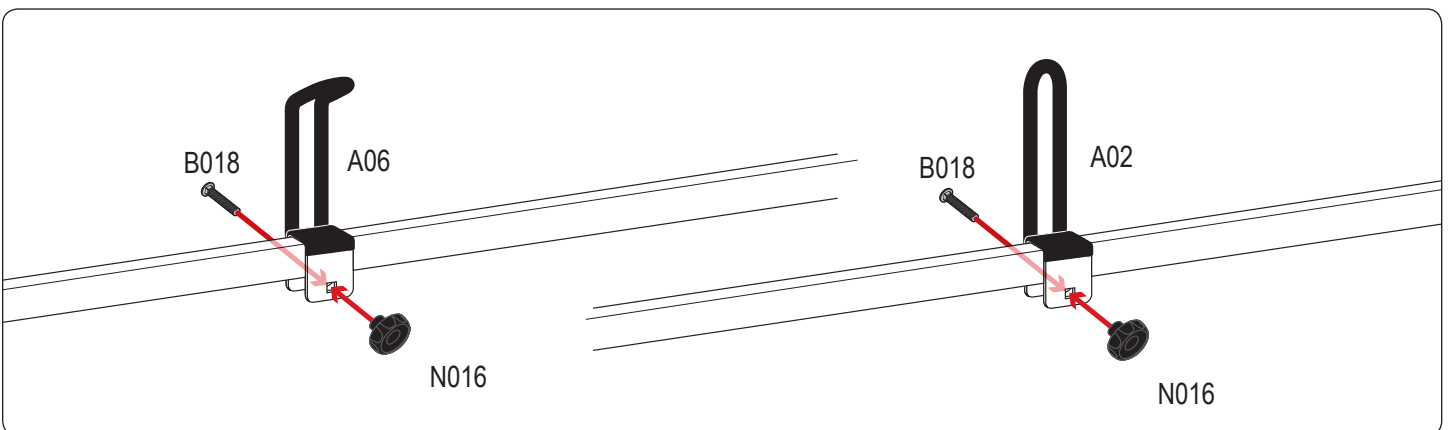


Make sure the mount is upright before securing

90°



B201



B018

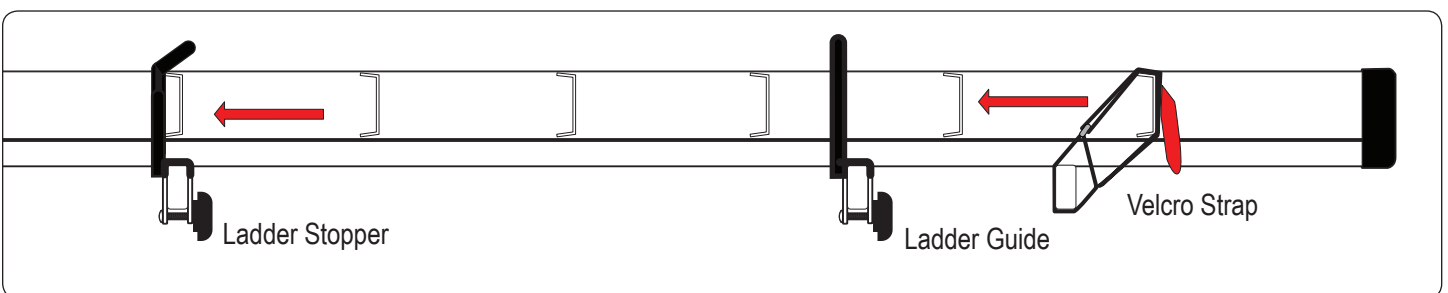
A06

N016

B018

A02

N016



Ladder Stopper

Ladder Guide

Velcro Strap

Vantech provides the best in truck and commercial van equipment.