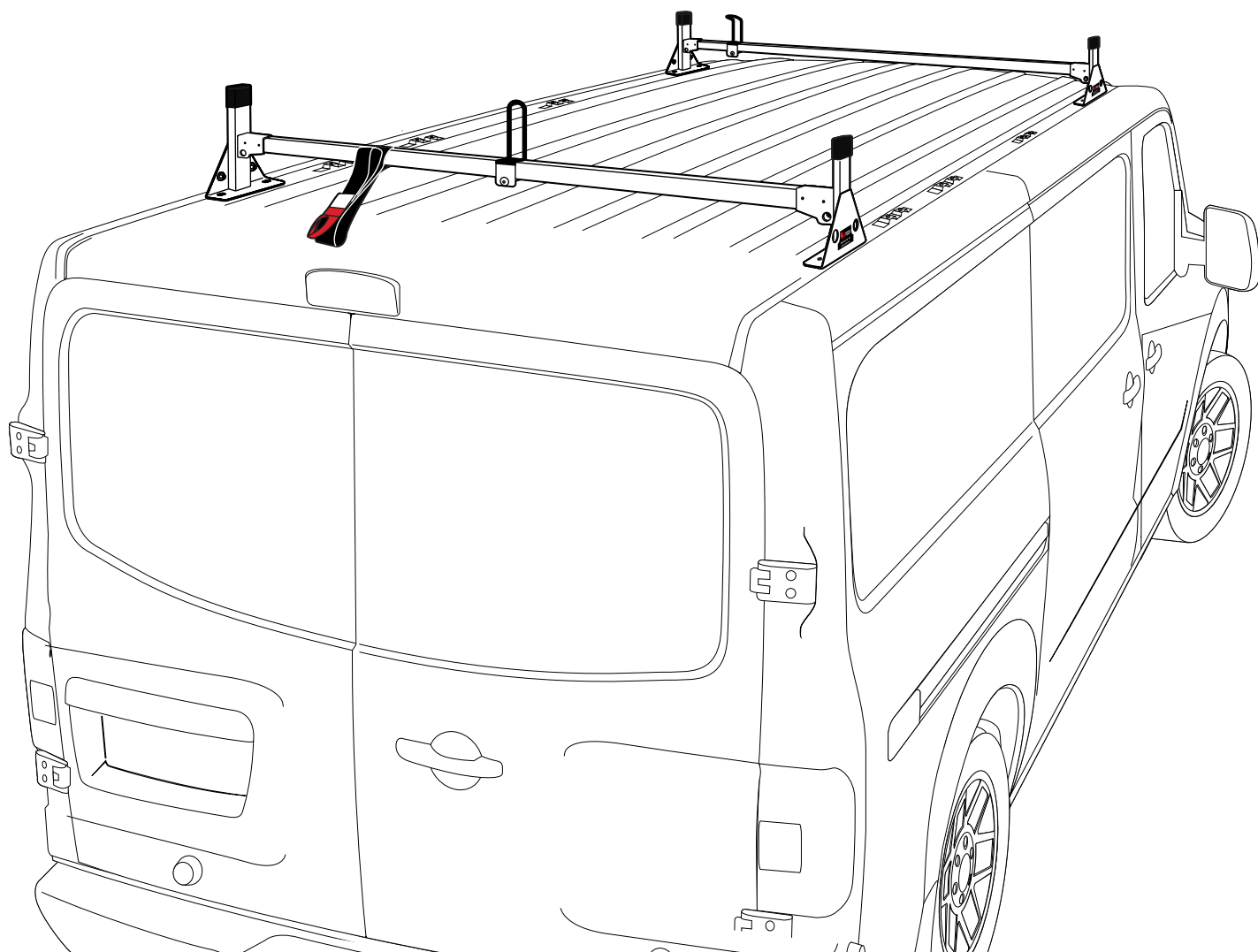


Warehouse Use Only

Part #	QUANTITY
D007	1
D111	1
H33W	4
A500-57W	2
BG049	2
A02	1
A06	1
A69	1

Part #:	H1302W
Dimensions:	8" X 8" X 58" (Telescopic)
Weight:	???



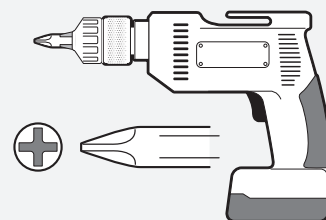


PRODUCT INFO

Part #: H1302W
System: H1 Series
Material: Steel
Fitment: Nissan NV Cargo 2012-On
Color: White

REQUIRED TOOLS

Power Tool With Phillips Head



1/2" Wrench




PART#	DESCRIPTION	QTY	ITEM
-------	-------------	-----	------

items not drawn to scale

B064	5/16" X 3/4" HEX BOLT	8	
------	-----------------------	---	---


B201	TAP SCREW	8	
------	-----------	---	---

W022	5/16" LOCK WASHER	8	
------	-------------------	---	---

W008	5/16" X 3/4" WASHER	16	
------	---------------------	----	---

N013	5/16" CAGE NUT	8	
------	----------------	---	---

B018	5/16" X 1 3/4" CARRIAGE BOLT	2	
------	------------------------------	---	--

N016	5/16" KNOB	2	
------	------------	---	---

H33	H1 MOUNTING BASE	4	
-----	------------------	---	---

A500-57	2" X 1" X 57" CROSS BAR	2	
---------	-------------------------	---	---

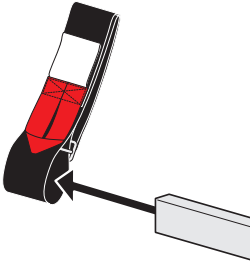
A02	LADDER GUIDE	1	
-----	--------------	---	---

A06	LADDER STOPPER	1	
-----	----------------	---	---

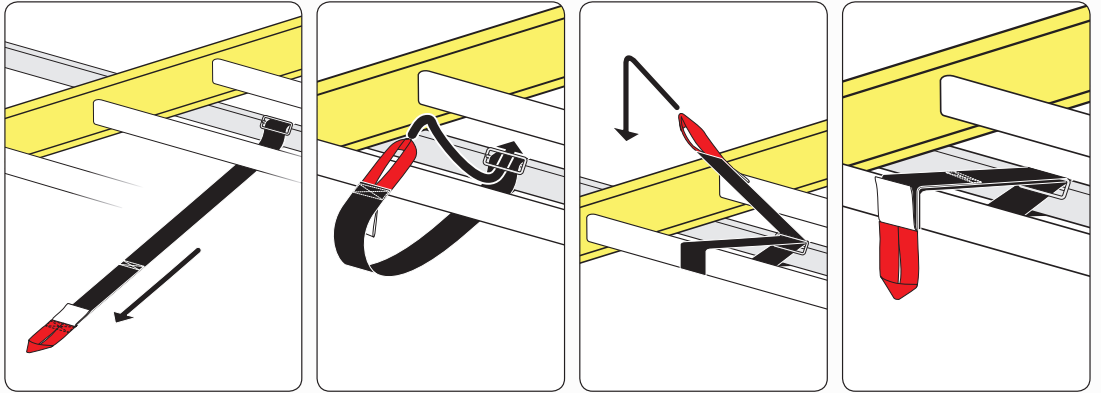
A69	EZ-VELCRO STRAP	1	
-----	-----------------	---	---

BG049	PLASTIC BAR GUARD 49"	2	
-------	-----------------------	---	---

EZ-Velcro Strap



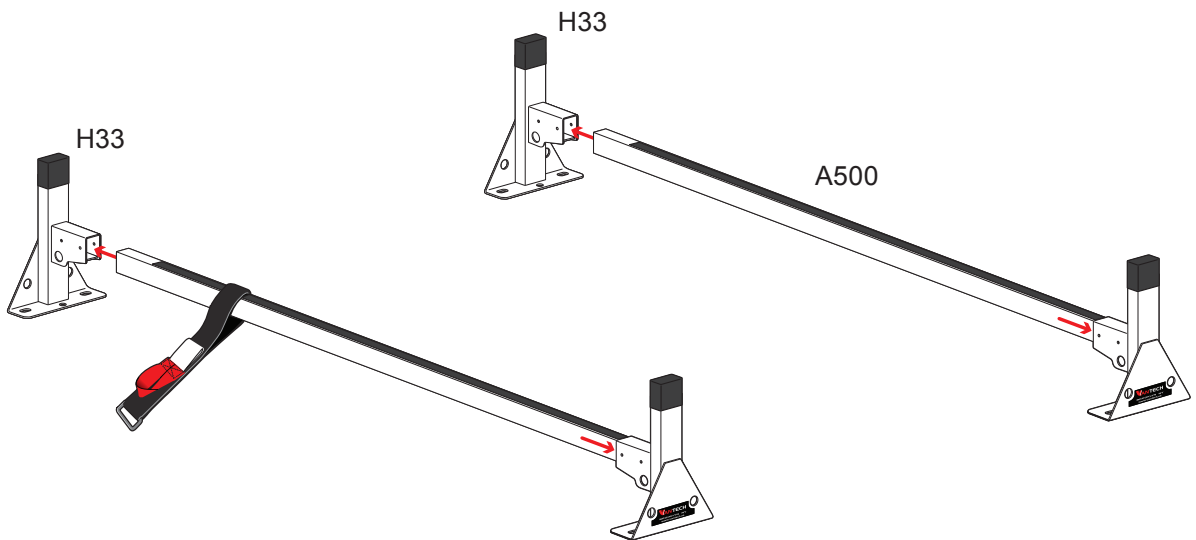
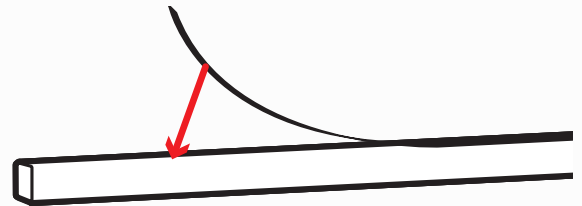
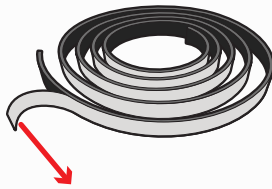
Directions

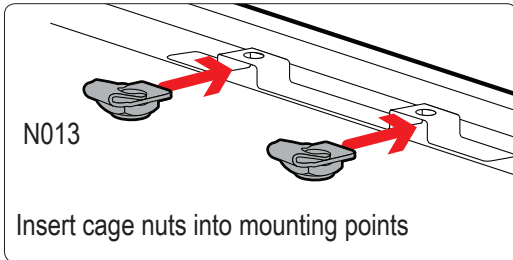
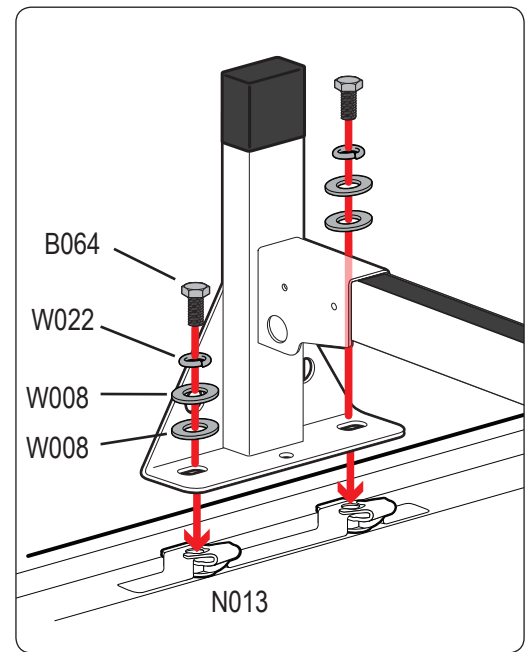
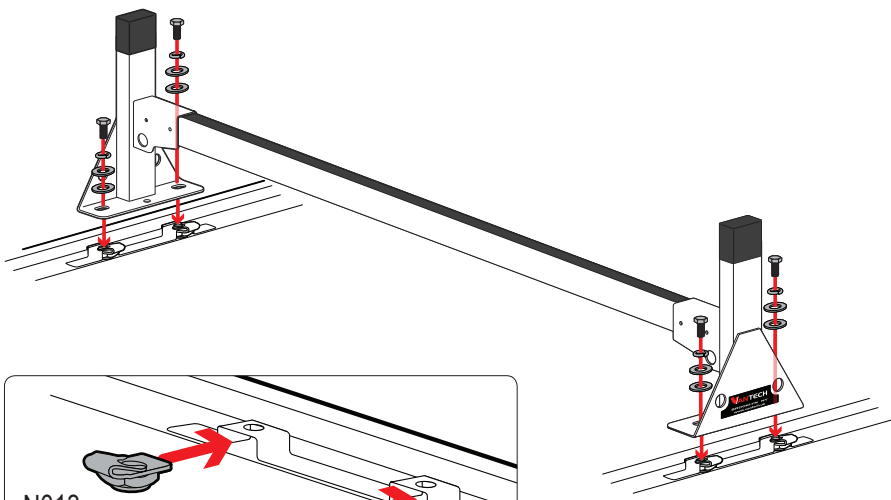


PLASTIC BAR GUARDS FOR STEEL CROSS BARS

- Remove wax paper from plastic bar guard and adhere it to the top of the Cross Bar.

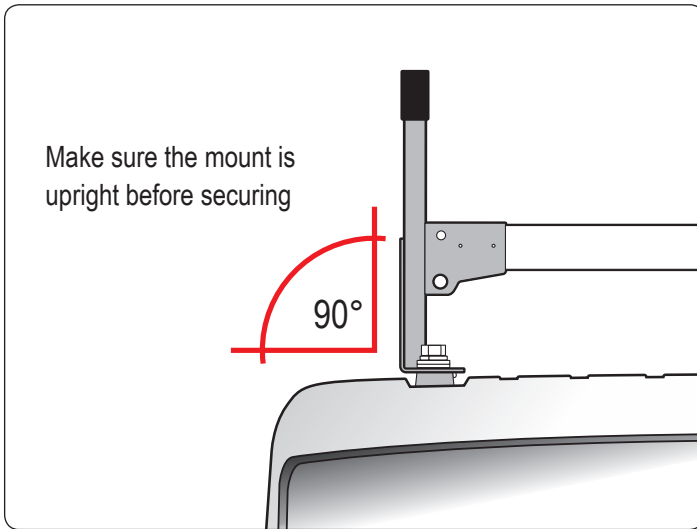
- Leave 4" on each end





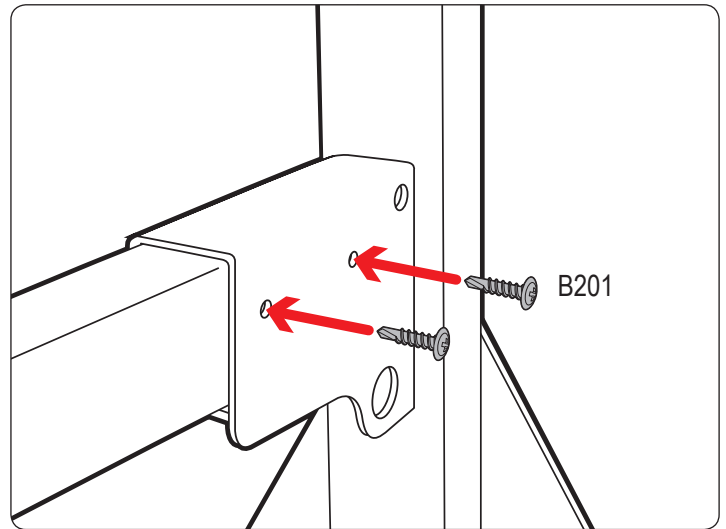
N013

Insert cage nuts into mounting points

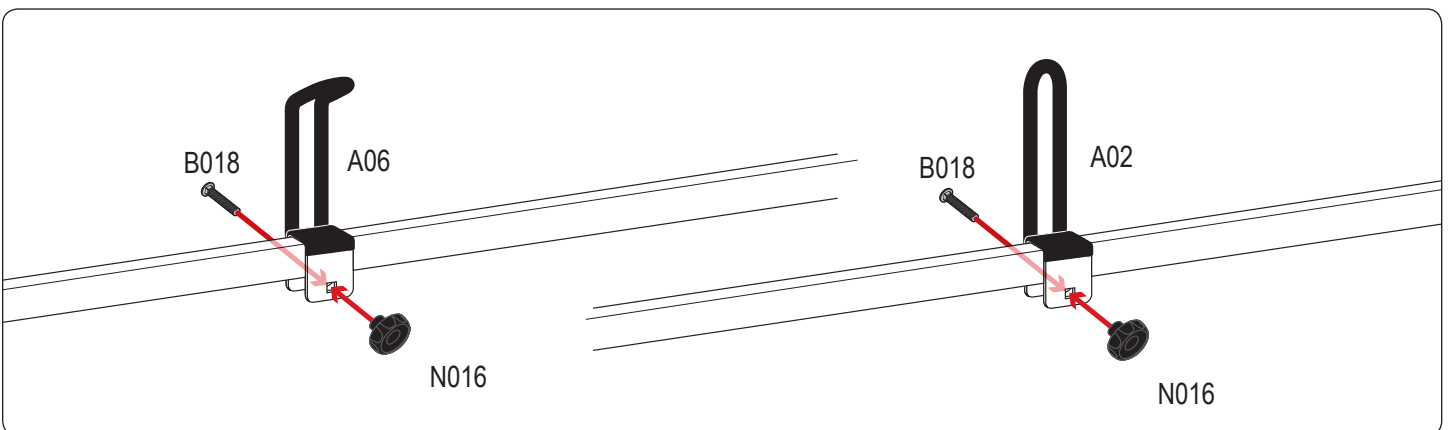


Make sure the mount is upright before securing

90°



B201



B018

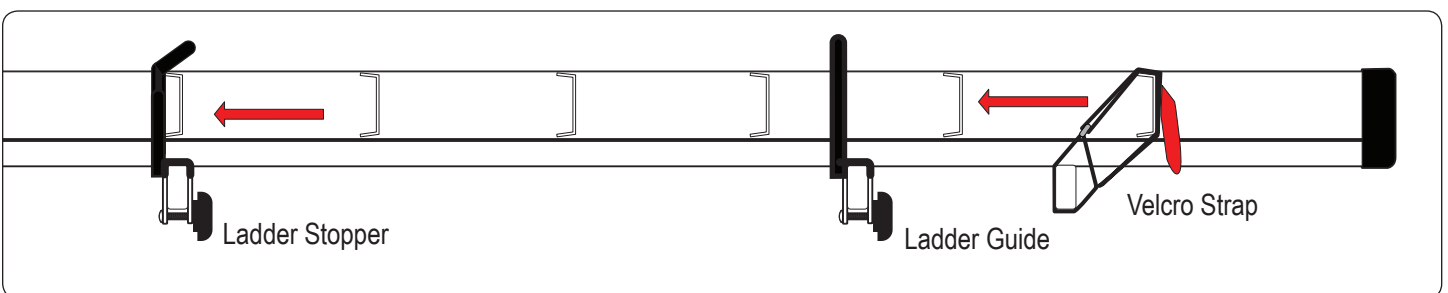
A06

N016

B018

A02

N016



Ladder Stopper

Ladder Guide

Velcro Strap

Vantech provides the best in truck and commercial van equipment.