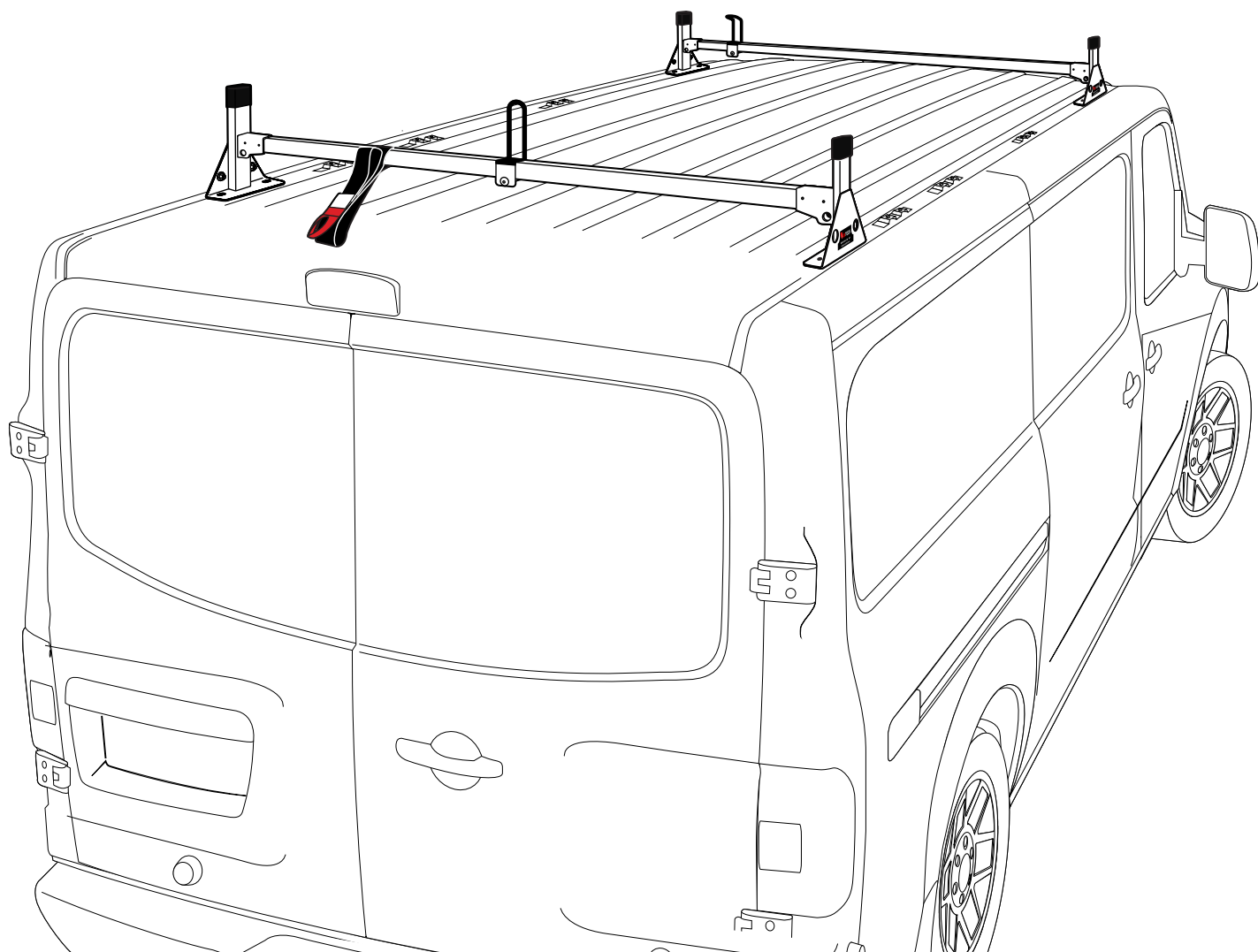


Warehouse Use Only

Part #	QUANTITY
D007	1
D111	1
H33B	4
A500-57B	2
BG049	2
A02	1
A06	1
A69	1

Part #:	H1302B
Dimensions:	8" X 8" X 58" (Telescopic)
Weight:	???



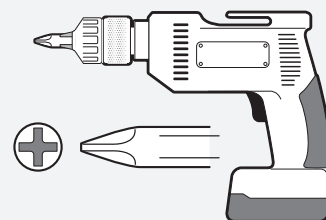


PRODUCT INFO

Part #: H1302B
System: H1 Series
Material: Steel
Fitment: Nissan NV Cargo 2012-On
Color: Black


REQUIRED TOOLS

Power Tool With Phillips Head



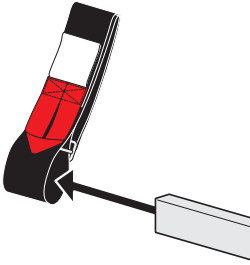
1/2" Wrench



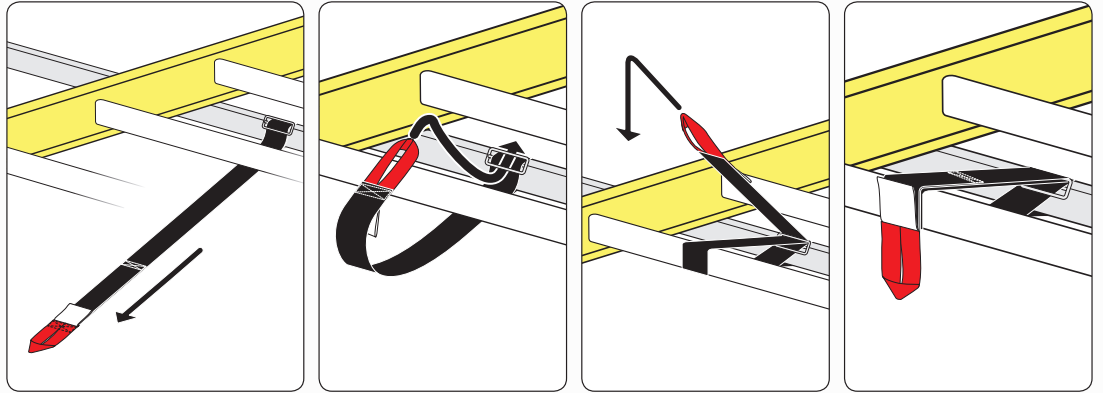
PART#	DESCRIPTION	QTY	ITEM
B064	5/16" X 3/4" HEX BOLT	8	
B201	TAP SCREW	8	
W022	5/16" LOCK WASHER	8	
W008	5/16" X 3/4" WASHER	16	
N013	5/16" CAGE NUT	8	
B018	5/16" X 1 3/4" CARRIAGE BOLT	2	
N016	5/16" KNOB	2	
H33	H1 MOUNTING BASE	4	
A500-57	2" X 1" X 57" CROSS BAR	2	
A02	LADDER GUIDE	1	
A06	LADDER STOPPER	1	
A69	EZ-VELCRO STRAP	1	
BG049	PLASTIC BAR GUARD 49"	2	

items not drawn to scale

EZ-Velcro Strap



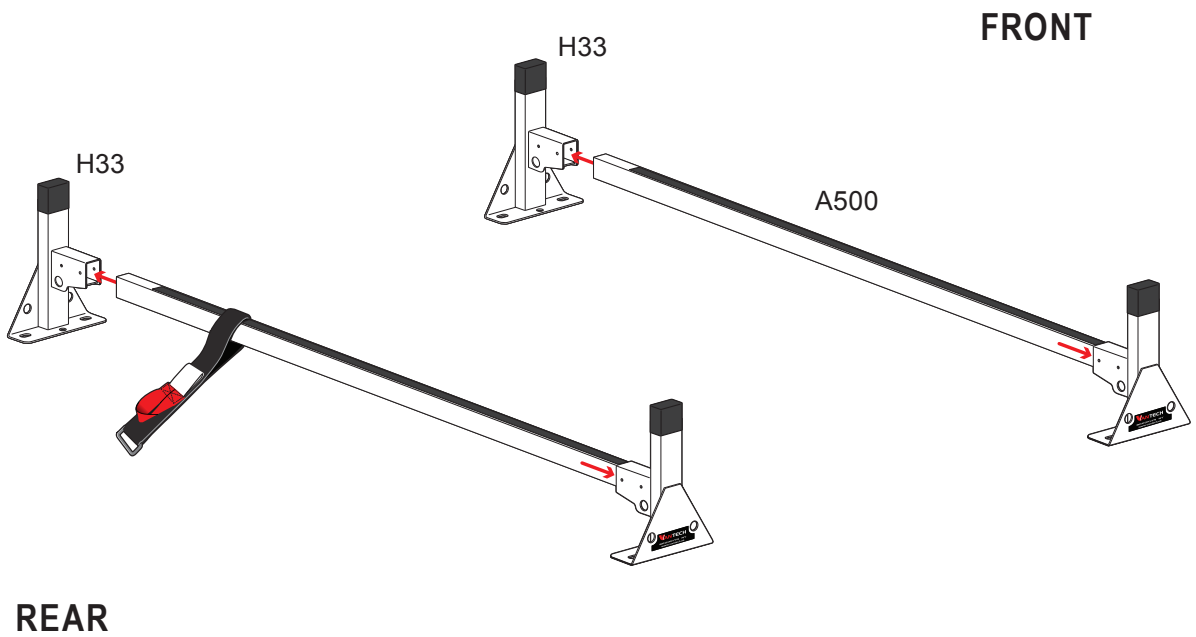
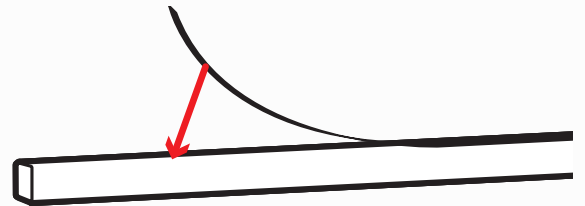
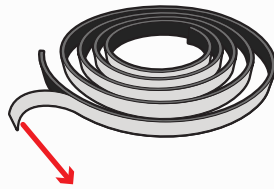
Directions

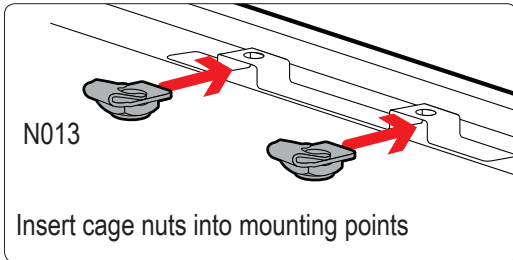
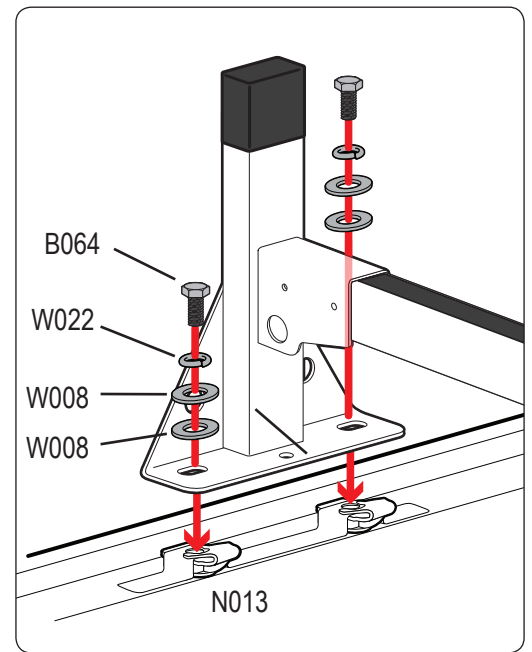
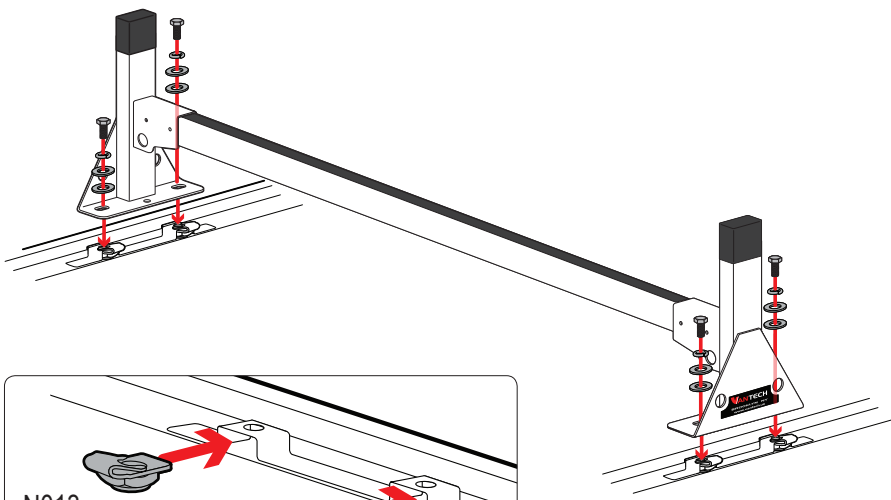


PLASTIC BAR GUARDS FOR STEEL CROSS BARS

- Remove wax paper from plastic bar guard and adhere it to the top of the Cross Bar.

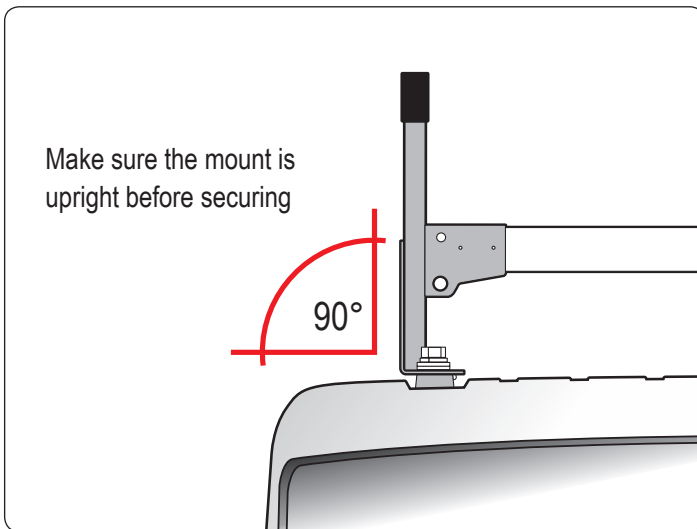
- Leave 4" on each end





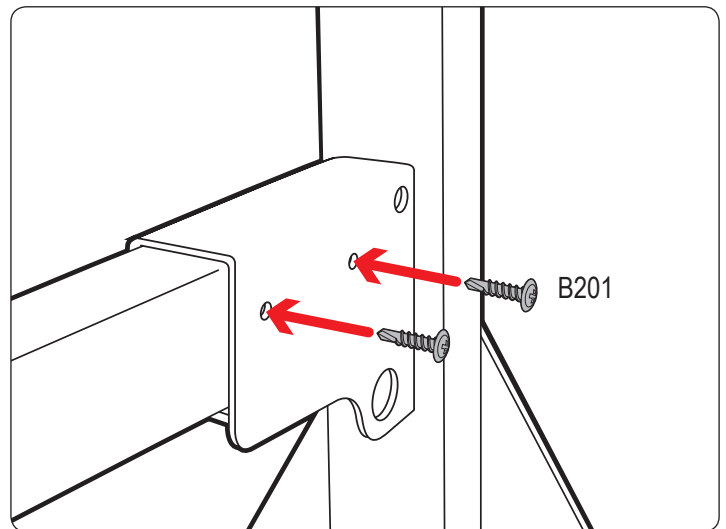
N013

Insert cage nuts into mounting points

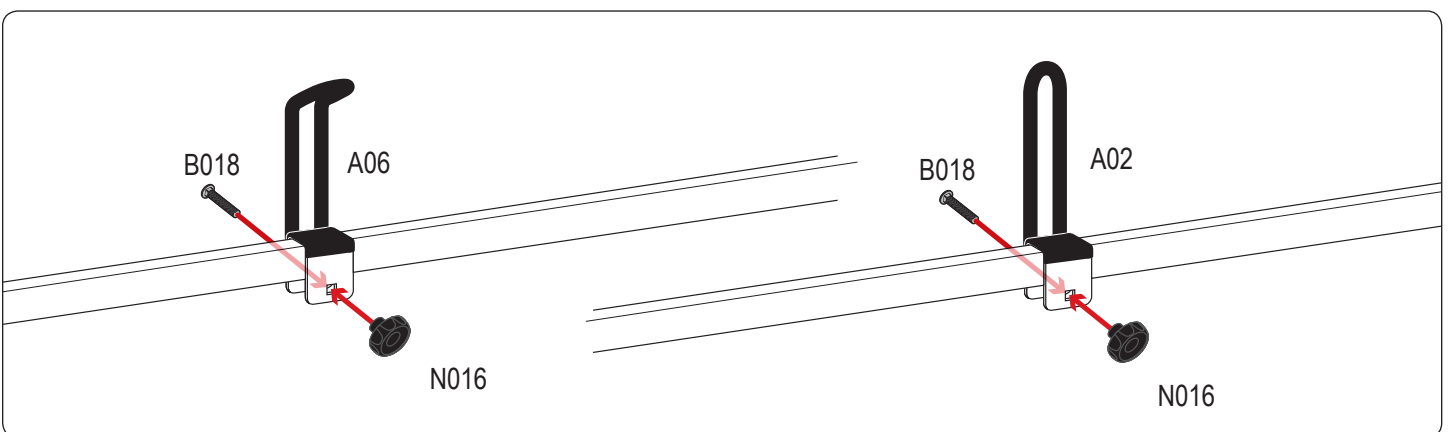


Make sure the mount is upright before securing

90°



B201



B018

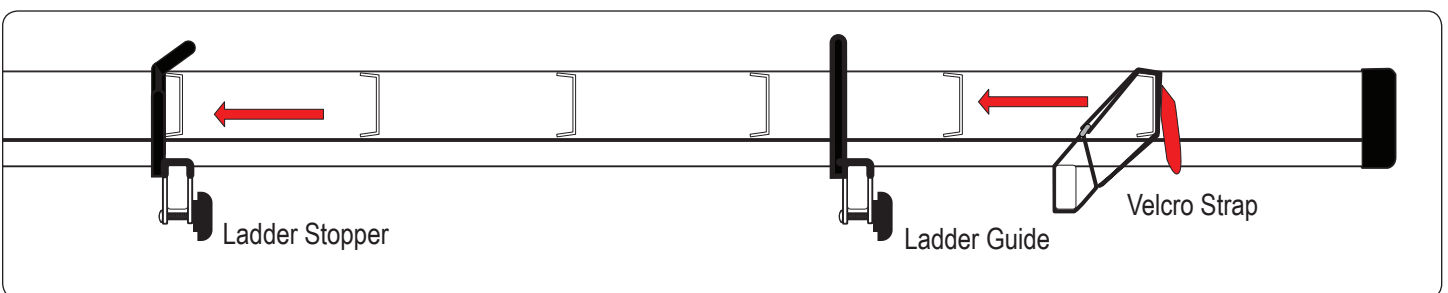
A06

N016

B018

A02

N016



Ladder Stopper

Ladder Guide

Velcro Strap