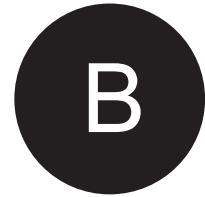
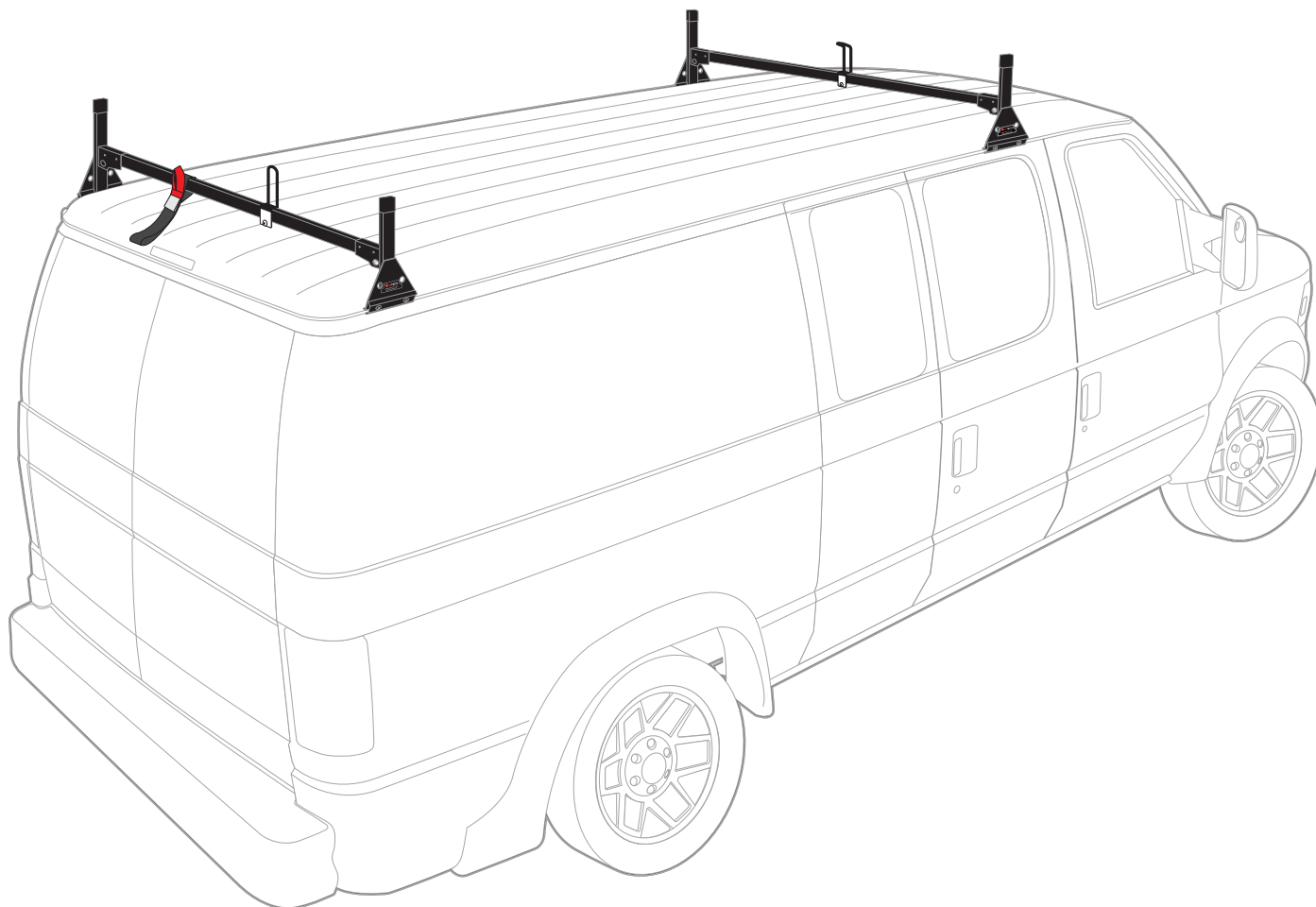


Warehouse Use Only

| Part # | QUANTITY |
|----------|----------|
| D011 | 1 |
| D111 | 1 |
| H11B | 4 |
| H04B | 4 |
| A500-56B | 1 |
| A500-57B | 1 |
| BG049 | 2 |
| BG908 | 4 |
| A02 | 1 |
| A06 | 1 |
| A69 | 1 |

| | |
|-------------|----------------------------|
| Part #: | H1052B |
| Dimensions: | 8" X 8" X 58" (Telescopic) |
| Weight: | ??? |



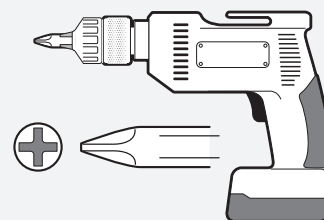


PRODUCT INFO

Part #: H1052B
System: H1 Series
Material: Steel
Fitment: GMC Savana 1996-14
Color: Black

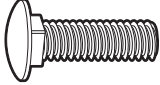



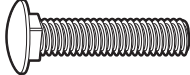










REQUIRED TOOLS

Power Tool With Phillips Head

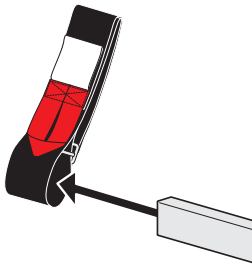


1/2" Wrench

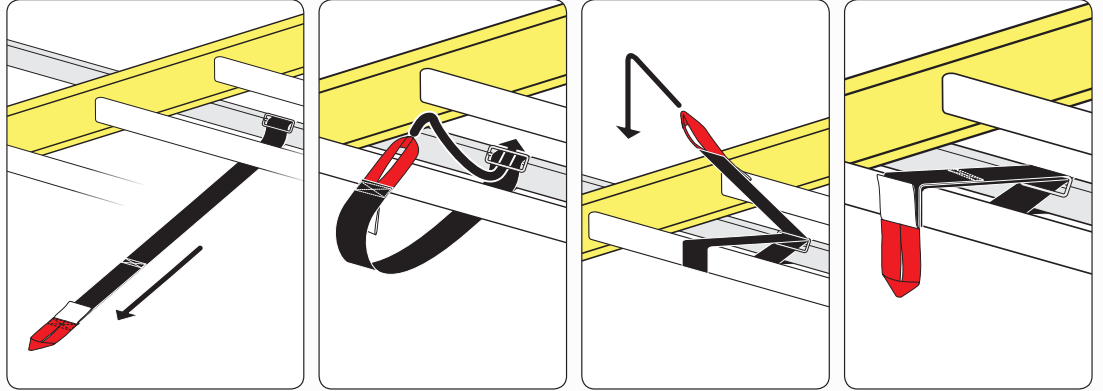


| PART # | DESCRIPTION | QTY | ITEM ITEM NOT DRAWN TO SCALE |
|---------|------------------------------|-----|---|
| B016 | 5/16" X 1 1/4" CARRIAGE BOLT | 8 |  |
| B201 | TAP SCREW | 8 |  |
| N005 | 5/16" NYLON NUT | 8 |  |
| W008 | 5/16" X 3/4" WASHER | 8 |  |
| B018 | 5/16" X 1 3/4" CARRIAGE BOLT | 2 |  |
| N016 | 5/16" KNOB | 2 |  |
| H04 | H1 MOUNTING BASE (STANDARD) | 4 |  |
| A500-56 | 2" X 1" X 56" CROSS BAR | 1 |  |
| A500-57 | 2" X 1" X 57" CROSS BAR | 1 |  |
| H11 | 2" X 8" DRIP RAIL CLAMP | 4 |  |
| A02 | LADDER GUIDE | 1 |  |
| A06 | LADDER STOPPER | 1 |  |
| A69 | EZ-VELCRO STRAP | 1 |  |
| BG049 | PLASTIC BAR GUARD 49" | 1 |  |
| BG908 | RUBBER SEAT | 4 |  |

EZ-Velcro Strap



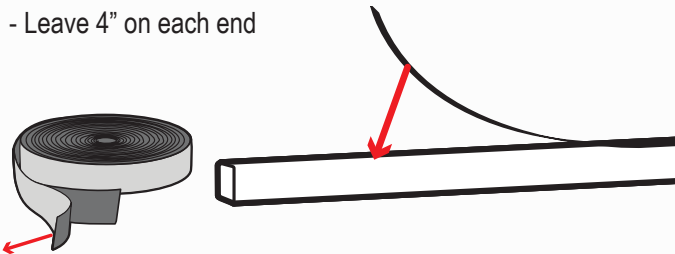
Directions



PLASTIC BAR GUARDS FOR STEEL CROSS BARS

- Remove wax paper from plastic bar guard and adhere it to the top of the Cross Bar.

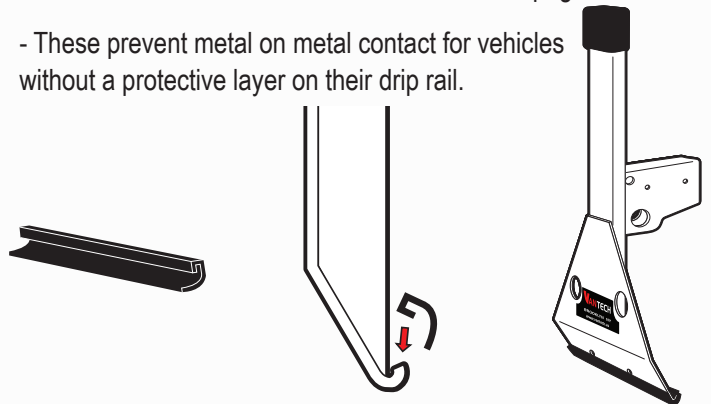
- Leave 4" on each end



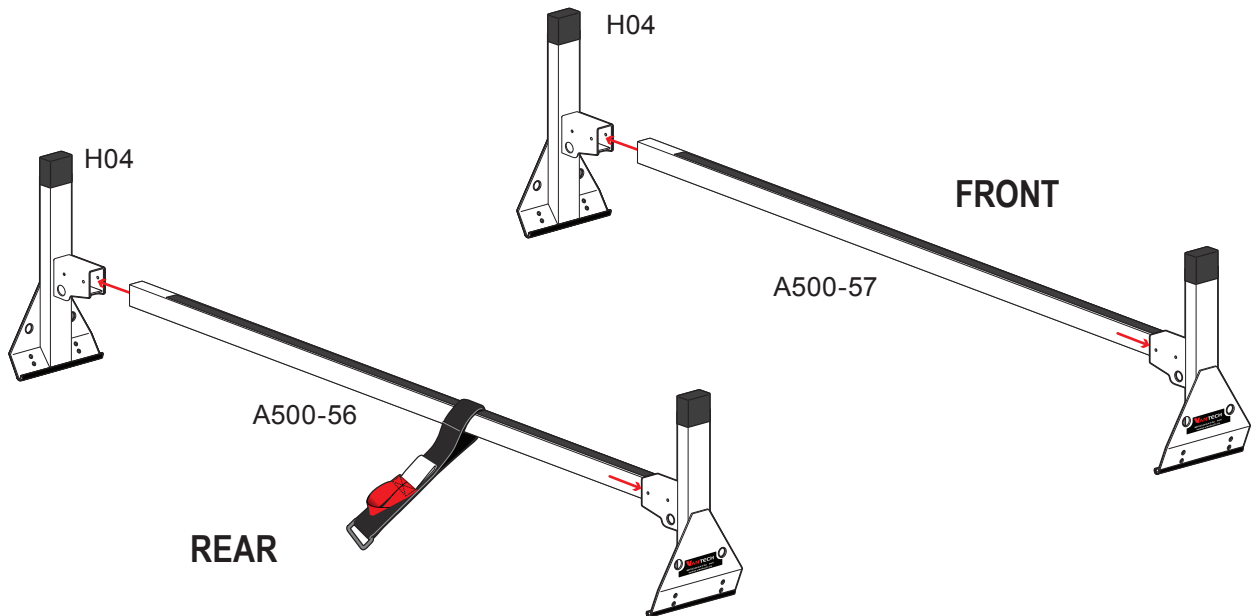
RUBBER SEATS FOR UPRIGHT MOUNTS

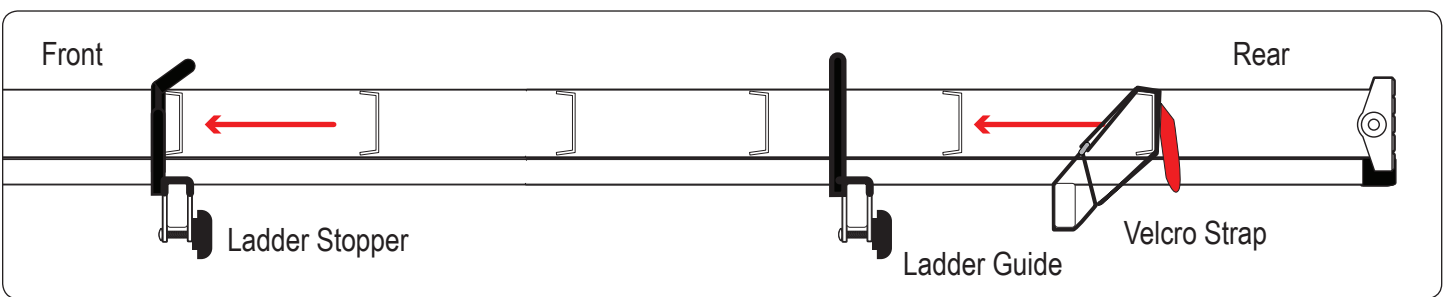
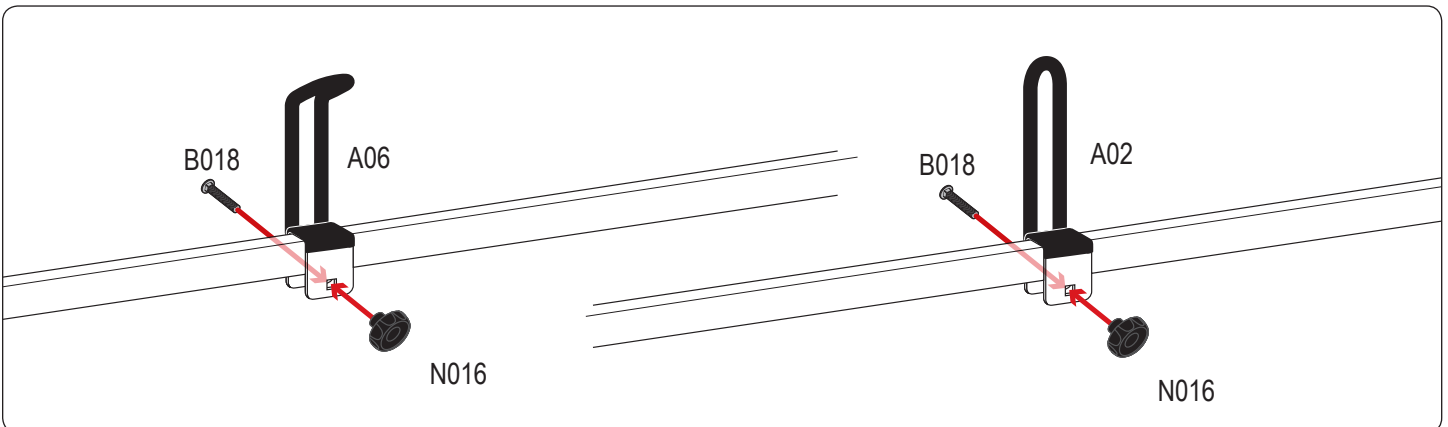
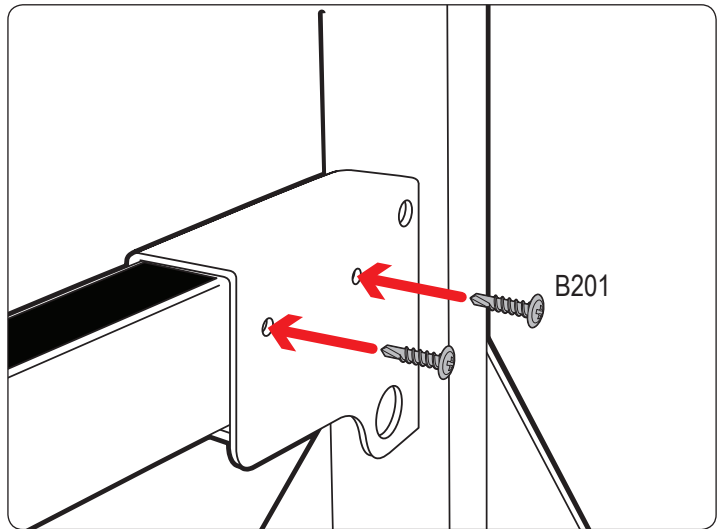
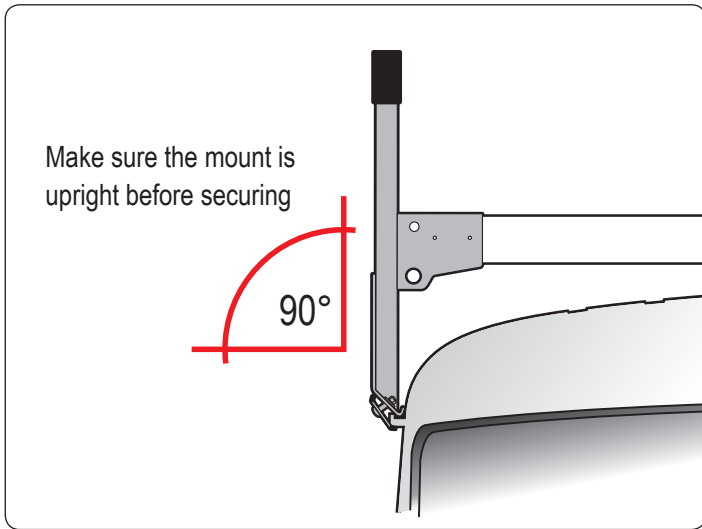
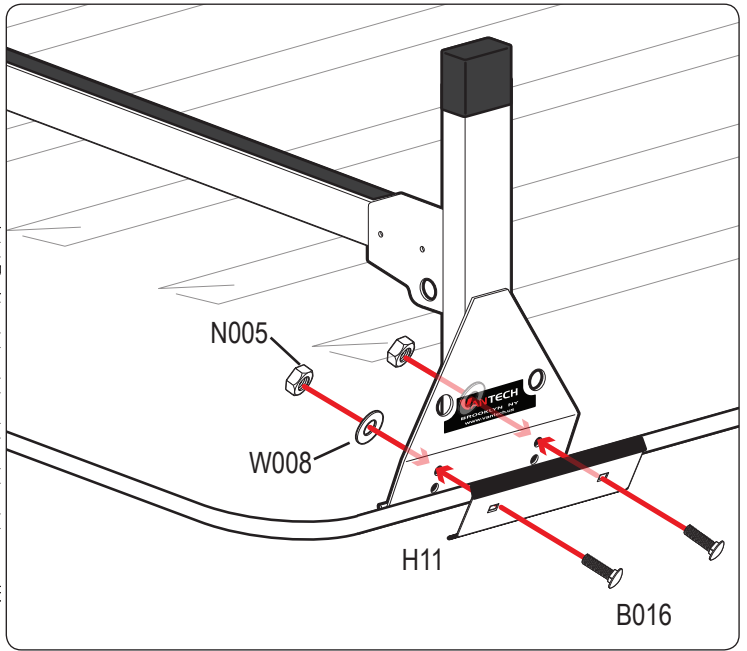
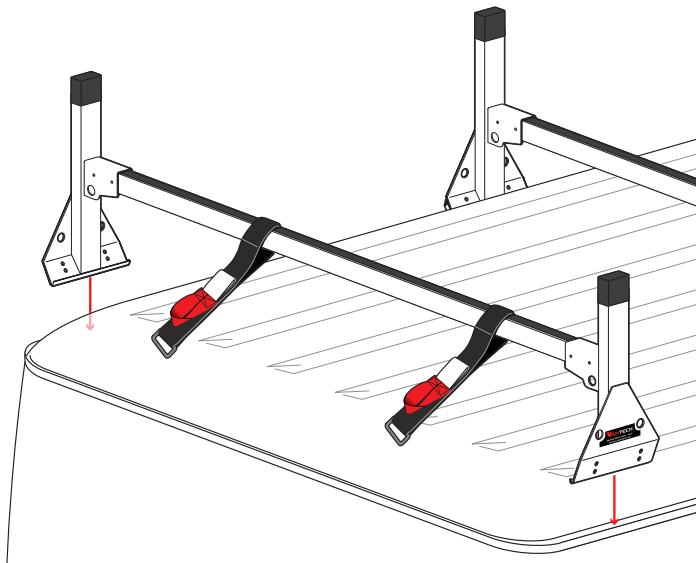
- Slide the Rubber Seats onto the bottom of the Upright Mounts.

- These prevent metal on metal contact for vehicles without a protective layer on their drip rail.



SYSTEM PLACEMENT MUST BE PLACED IN THIS ORDER





Vantech puts everything within reach.

Find out more about commercial van equipment we have.