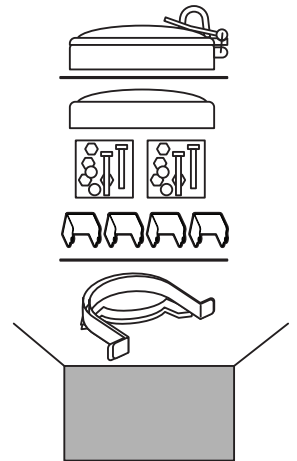
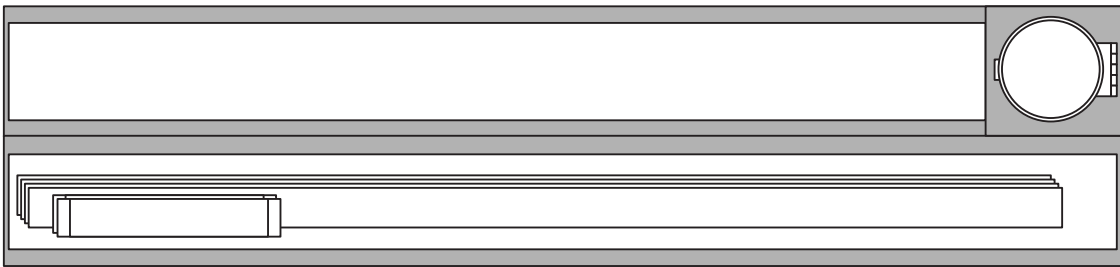
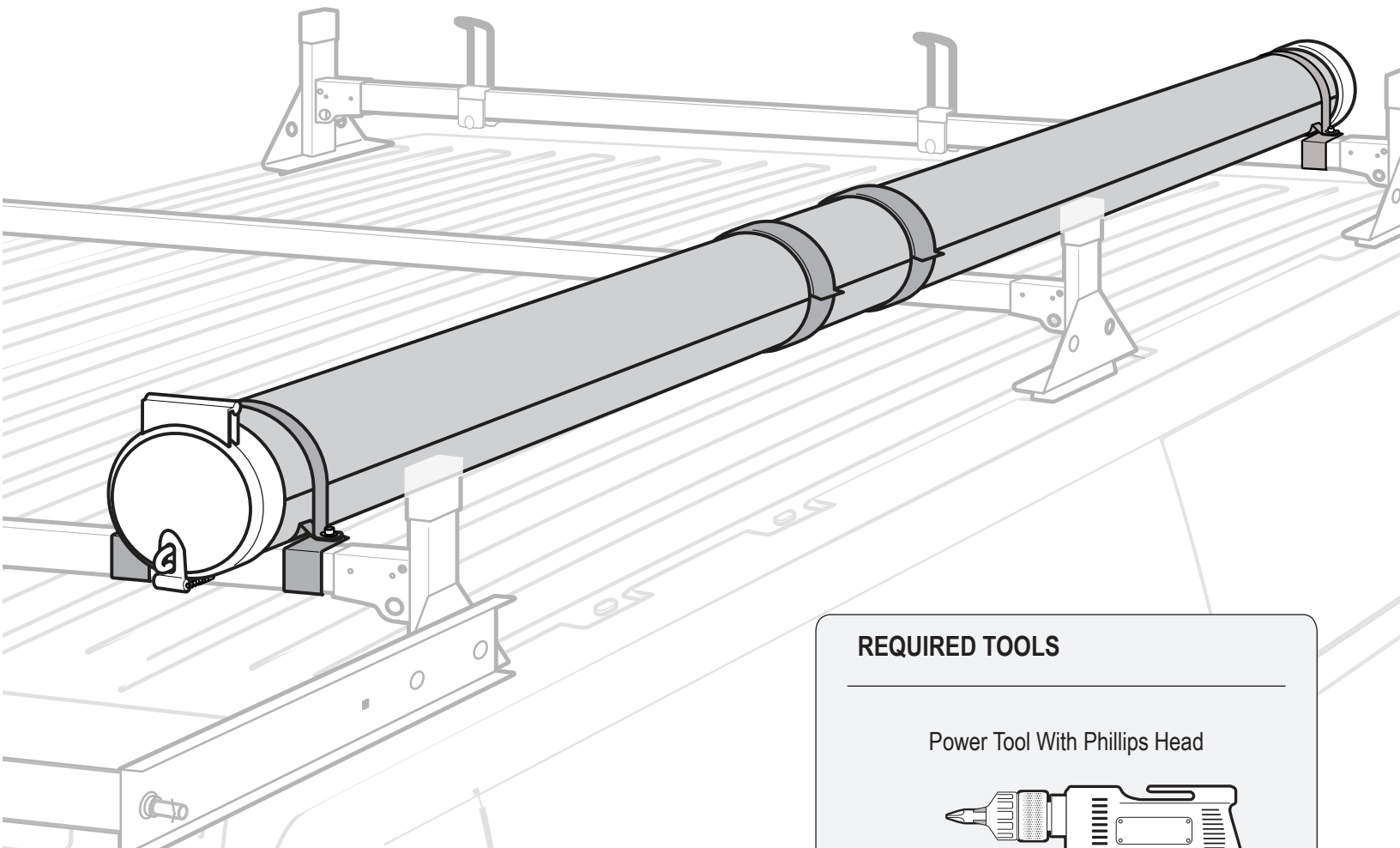


# Warehouse Use Only

Part #	QUANTITY
D015	1
D134	1
CCW	1
CC11S	2
CC12S	2
A471-64	4
CC21	2

Part #:	CC-104W
Dimensions:	71" X 8" X 16"
Weight:	40 Lbs.



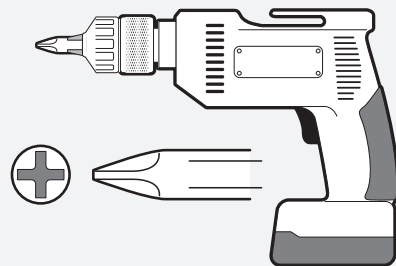


## PRODUCT INFO

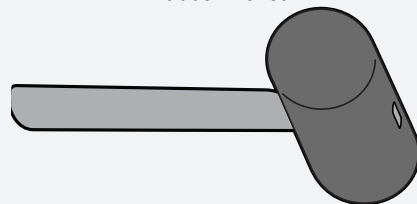
Part #: CC-104W  
Material: Aluminum  
Fitment: H1-Series  
Color: White

## REQUIRED TOOLS

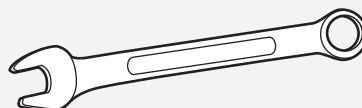
Power Tool With Phillips Head







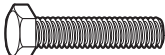
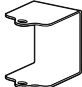
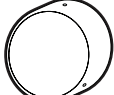









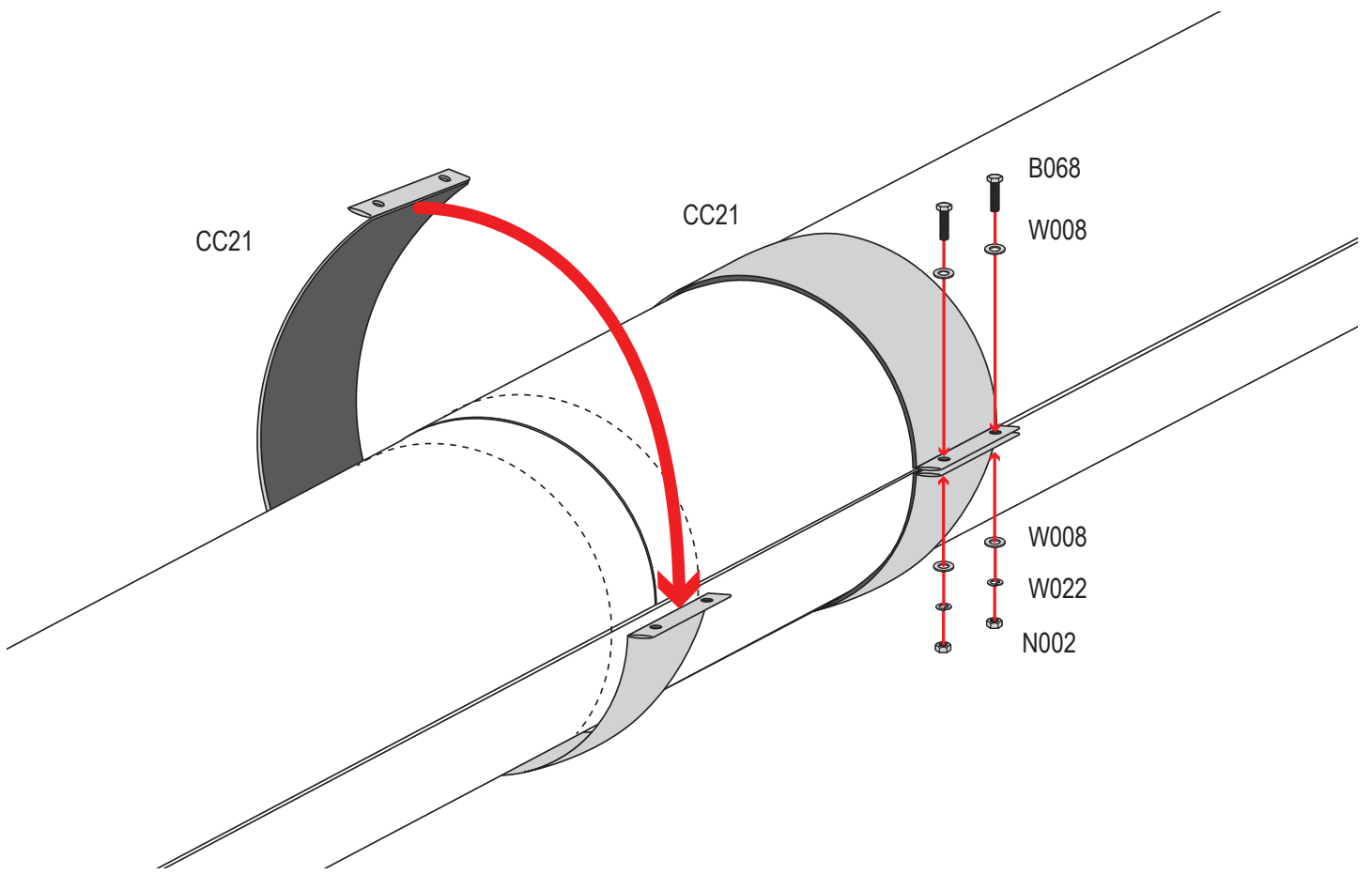
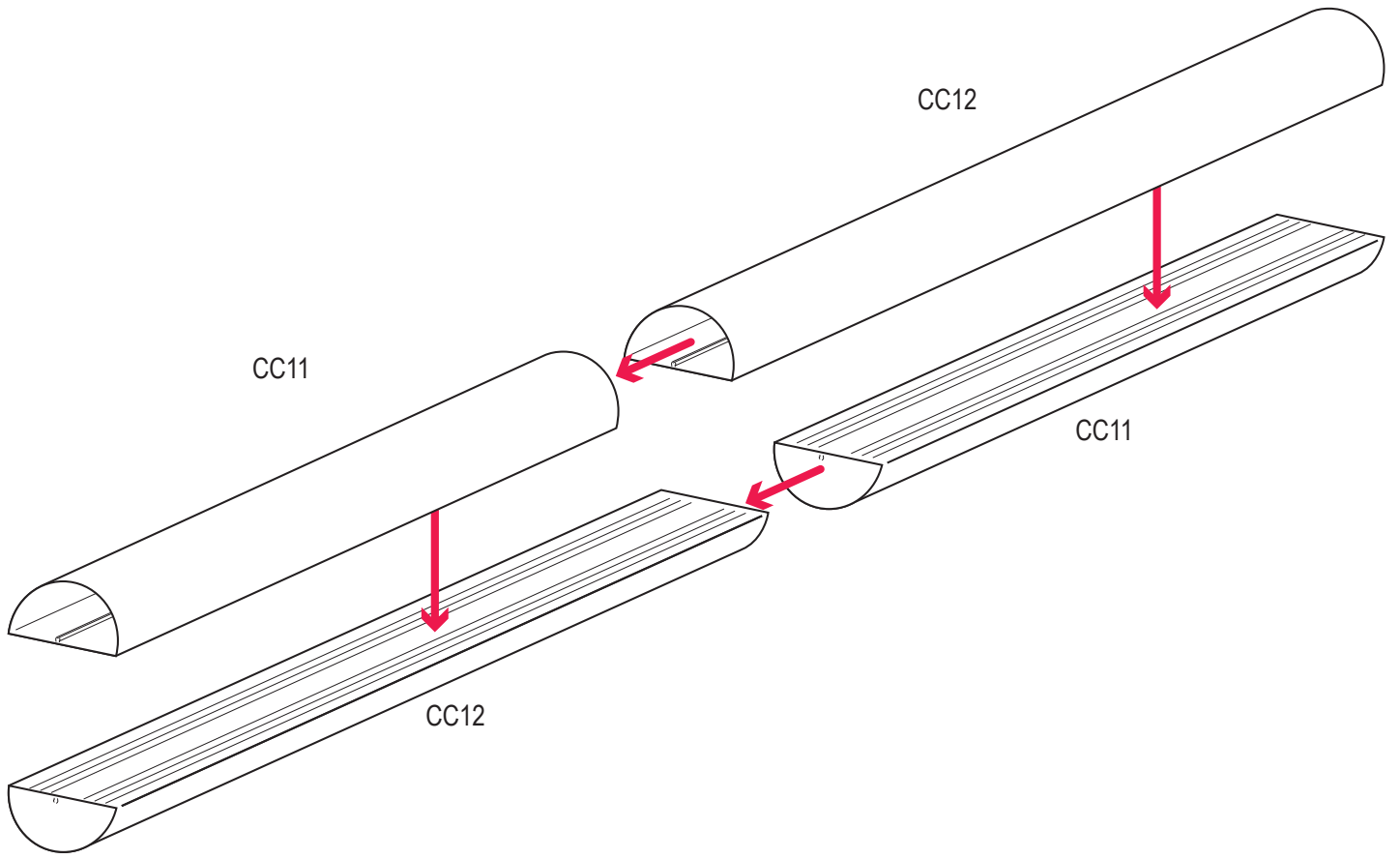
Rubber Mallet

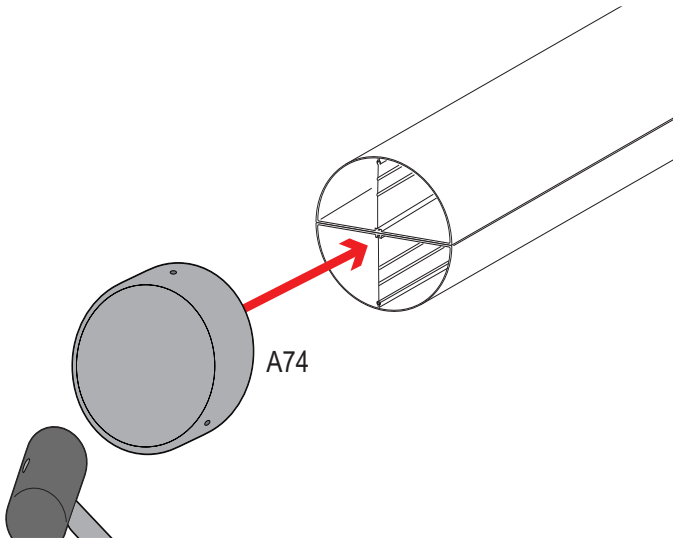


1/2" Wrench X 2

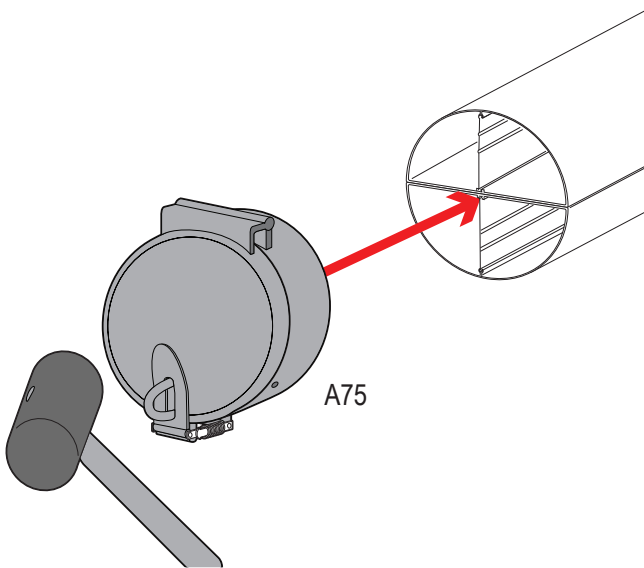
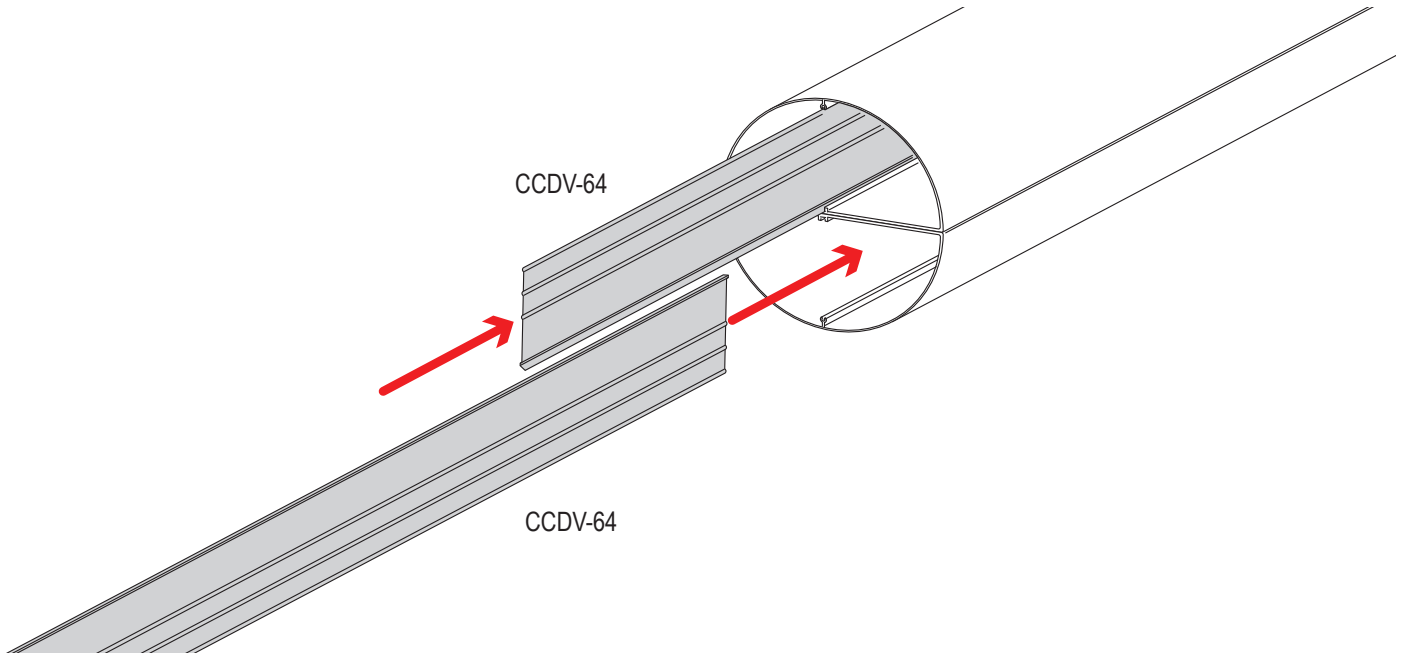
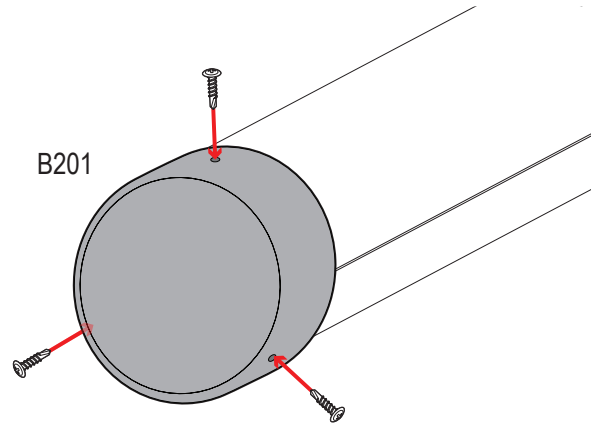


PART #	DESCRIPTION	QTY	ITEM ITEM NOT DRAWN TO SCALE
B201	TAP SCREW	6	
N005	5/16" NYLOC NUT	4	
N002	5/16" NUT	8	
W008	5/16" WASHER	16	
W022	5/16" LOCK WASHER	4	
B025	5/16" X 3" CARRIAGE BOLT	4	
B068	5/16" X 1 3/4" HEX BOLT	4	
A79	2" CONDUIT C BRACKET	4	
A74 (CC)	CONDUIT CAP	1	
A75 (CC)	CONDUIT HATCH	1	
A76 (CC)	CONDUIT BASE	2	
A77 (CC)	CONDUIT U BRACKET	2	
CC11	1/2 CONDUIT TUBE 57"	2	
CC12	1/2 CONDUIT TUBE 71"	2	
A471-64	CONDUIT CARRIER DIVIDER 64"	4	
CC21	CONDUIT STRAP	2	

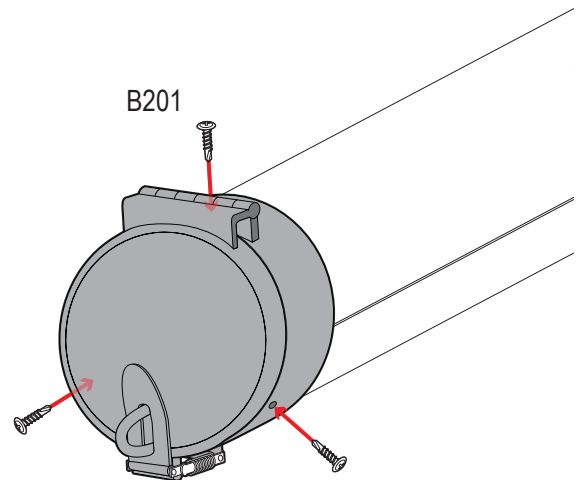




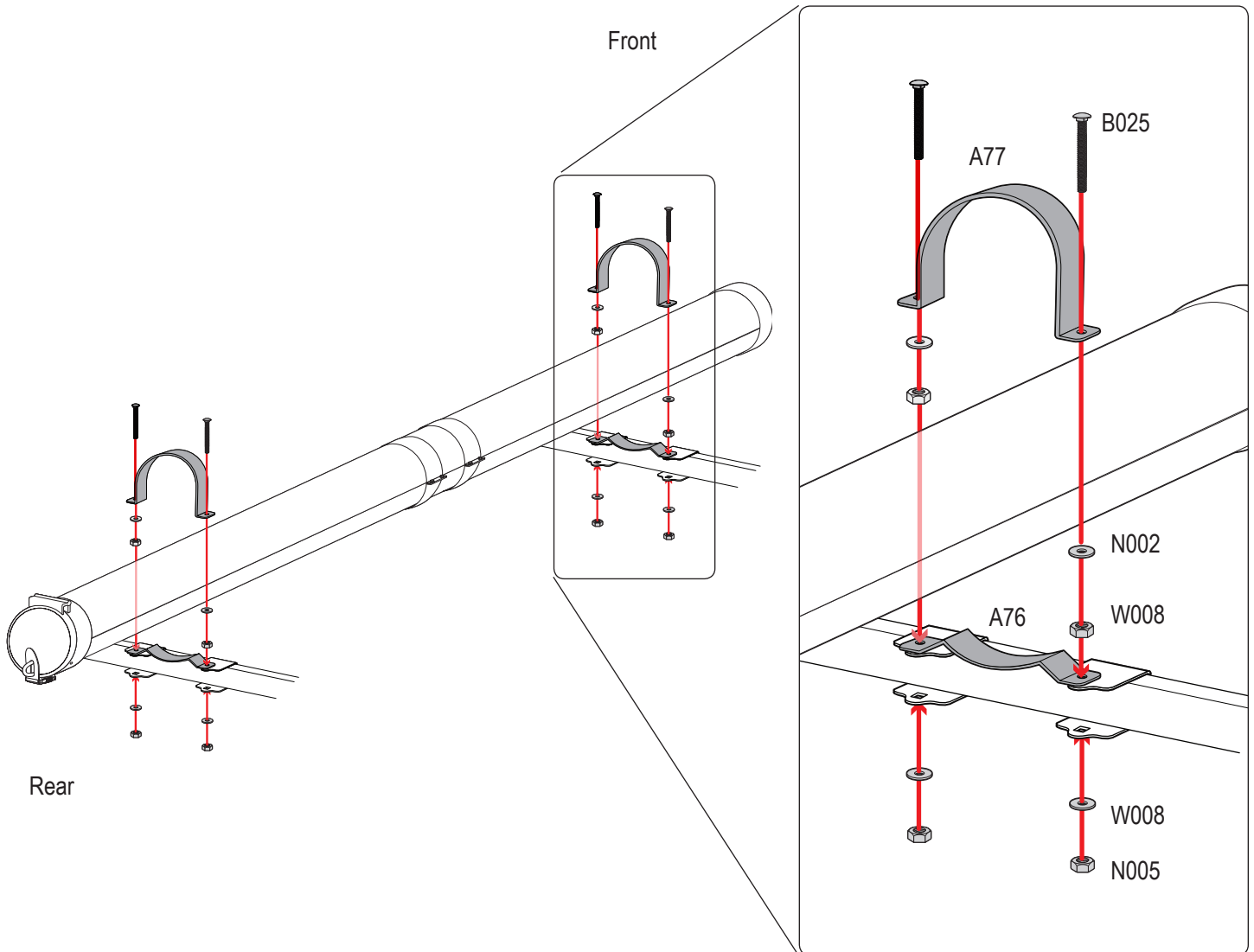
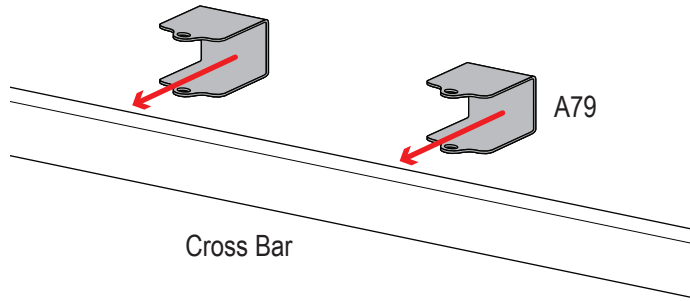
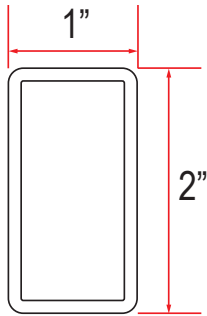
Use a rubber mallet to prevent damage to conduit cap



Use a rubber mallet to prevent damage to conduit hatch Rear



# X2 Front & Rear



Vantech puts everything within reach.

Learn more about commercial van equipment we have.