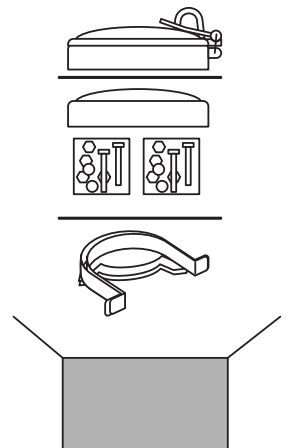
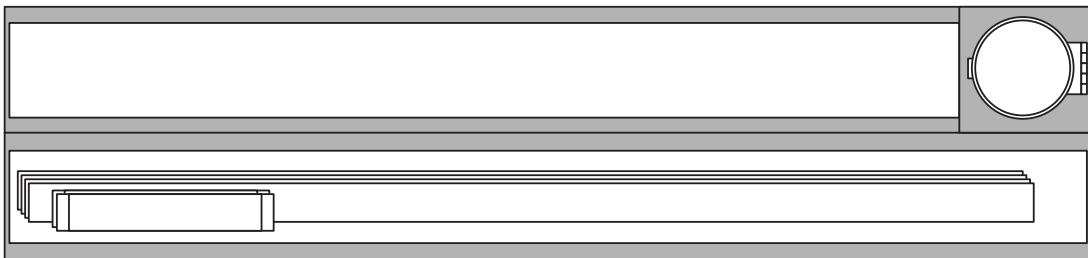
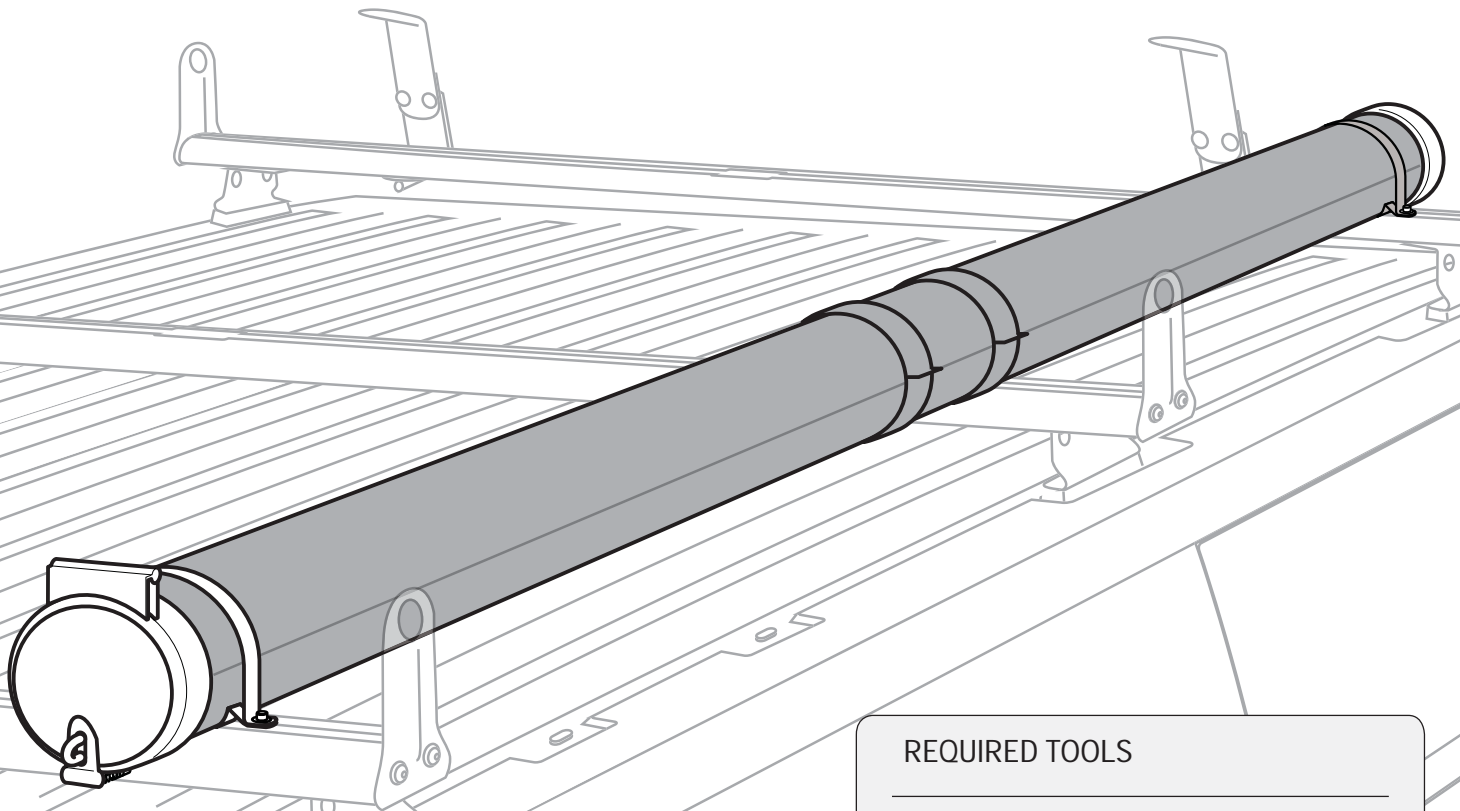


Warehouse Use Only

Part #	QUANTITY
D015	1
D131	1
CCW	1
CC11S	2
CC12S	2
A471-64	4
CC21	2

Part #:	CC-101W
Dimensions:	71" X 8" X 16"
Weight:	40 lbs.



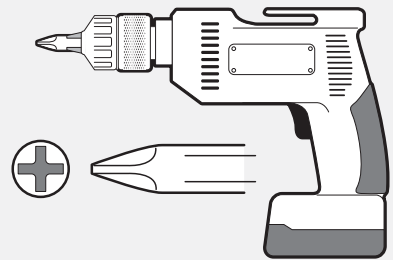


PRODUCT INFO

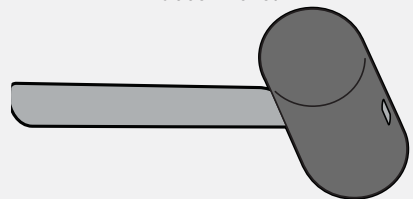
Part #: CC-101W
Material: Aluminum
Fitment: A285 / AA286 Aluminum channels
Color: White

REQUIRED TOOLS

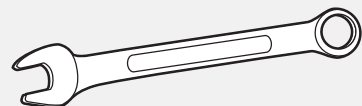
Power Tool With Phillips Head






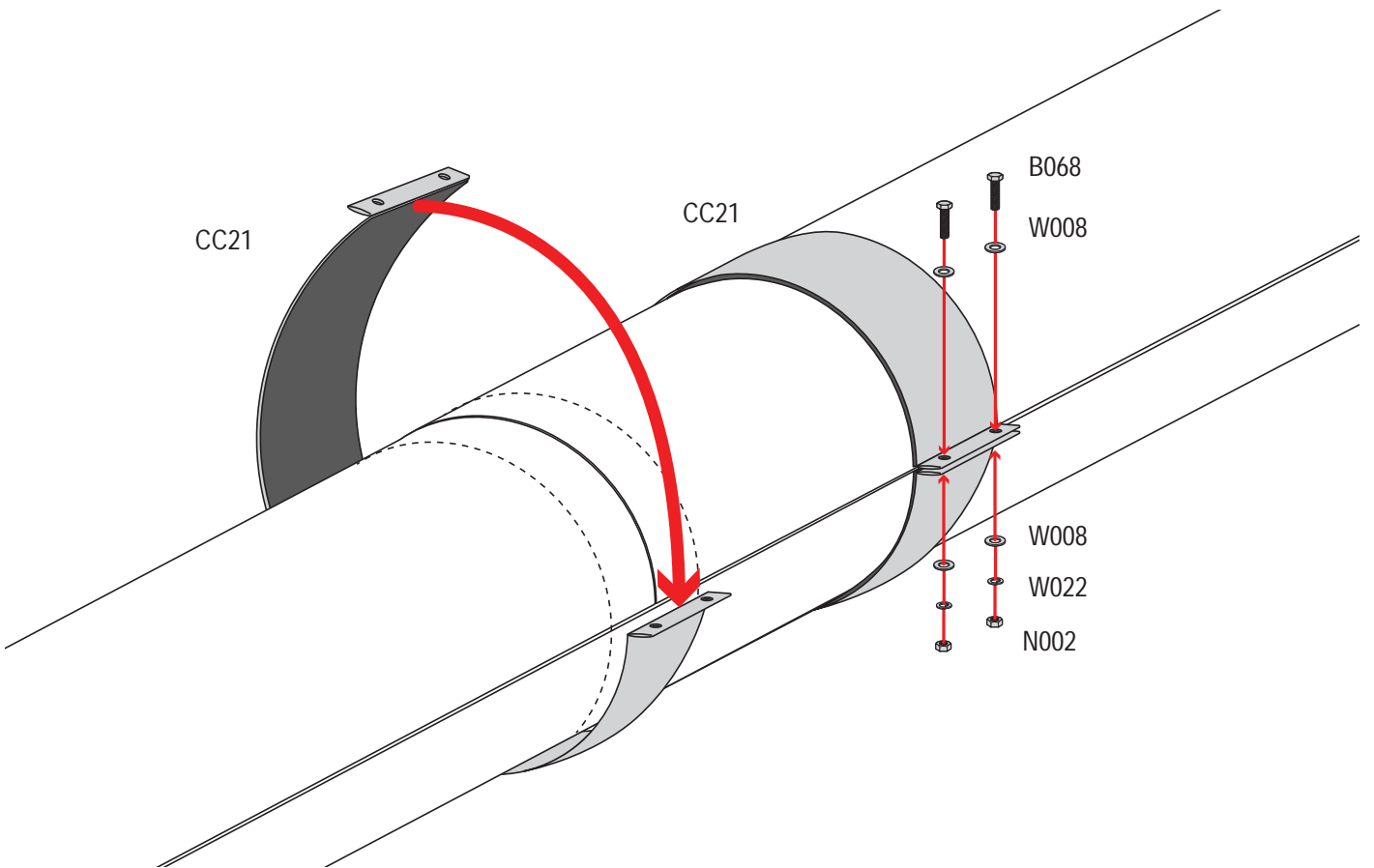
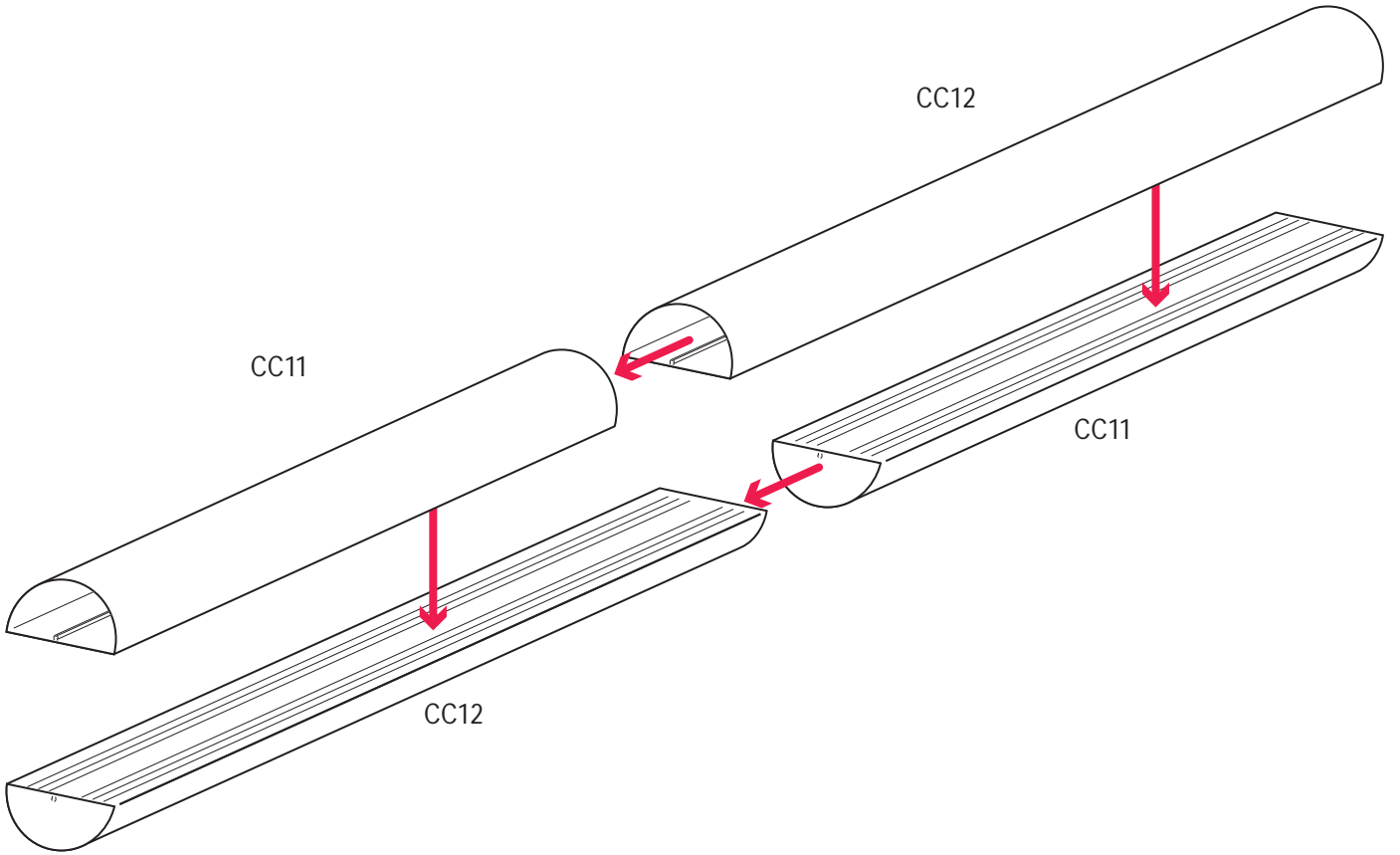
Rubber Mallet

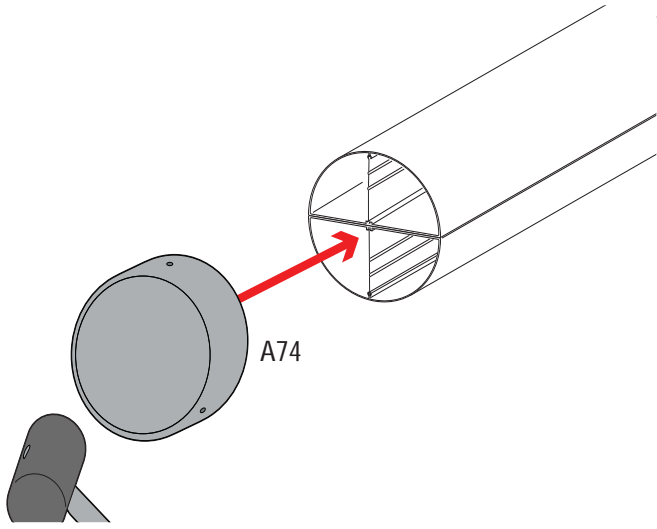


1/2" Wrench X 2

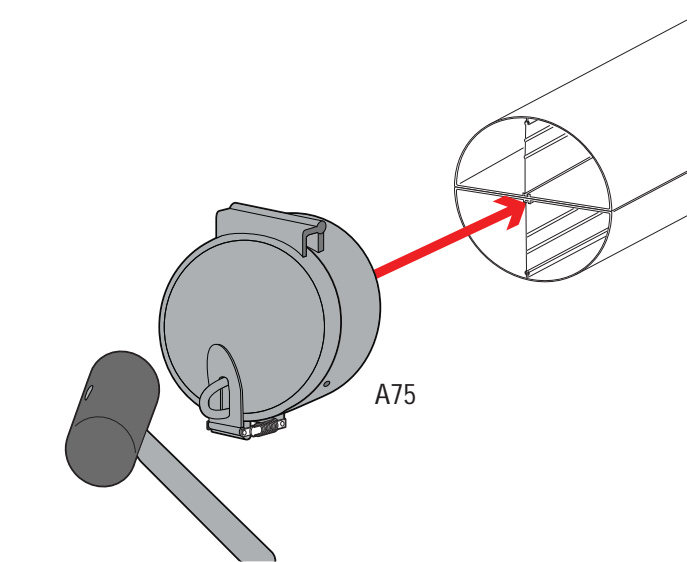
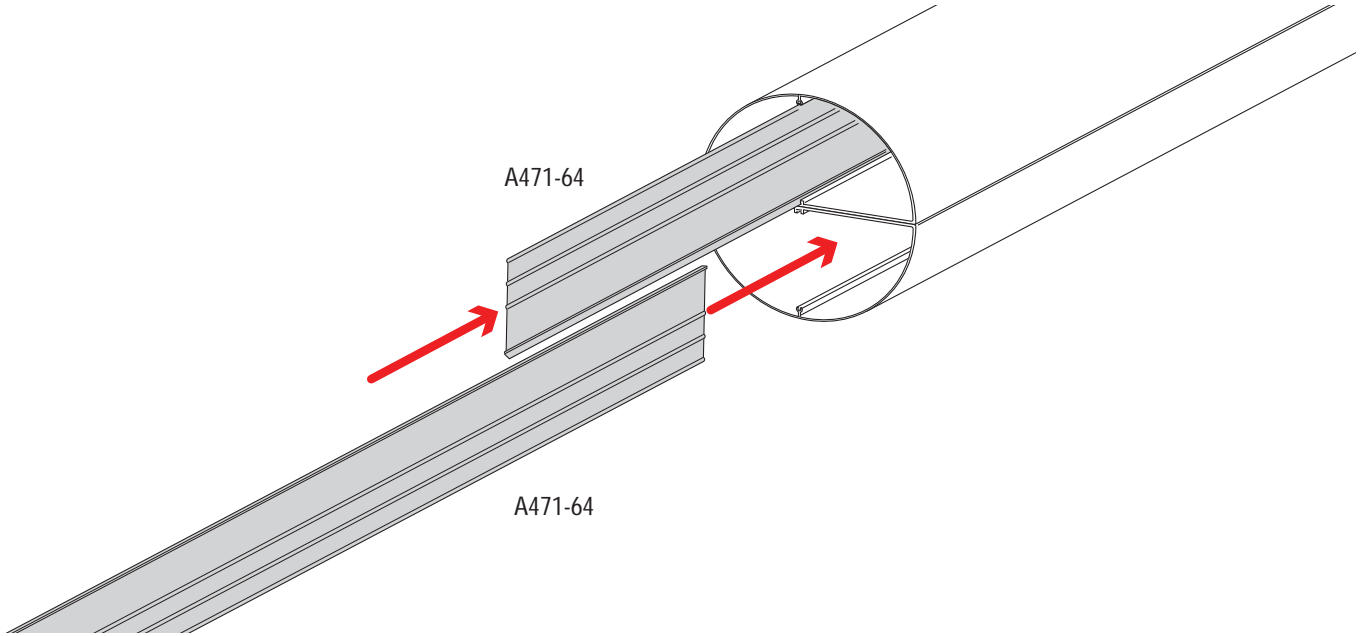
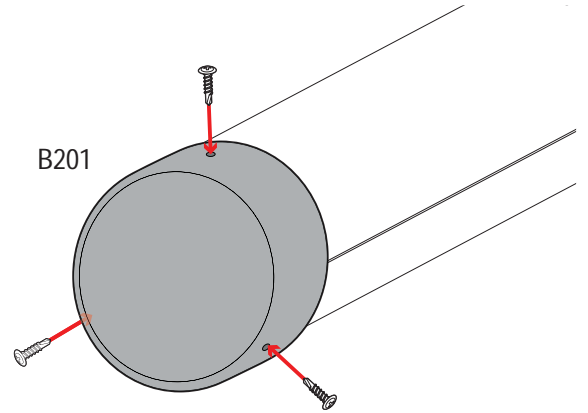


PART #	DESCRIPTION	QTY	ITEM ITEM NOT DRAWN TO SCALE
SS-B201	TAP SCREW	6	
SS-N005	5/16" NYLOC NUT	4	
SS-N002	5/16" NUT	8	
SS-W008	5/16" WASHER	16	
W022	5/16" LOCK WASHER	4	
S072	5/16" X 3/4"(H) SINGLE SLIDER	4	
B068	5/16" X 1 3/4" HEX BOLT	4	
A74 (CC)	CONDUIT CAP	1	
A75 (CC)	CONDUIT HATCH	1	
A76 (CC)	CONDUIT BASE	2	
A77 (CC)	CONDUIT U BRACKET	2	
CC11	1/2" CONDUIT TUBE 57"	2	
CC12	1/2" CONDUIT TUBE 71"	2	
A471 -64	CONDUIT CARRIER DIVIDER 64"	4	
CC21	CONDUIT STRAP	2	

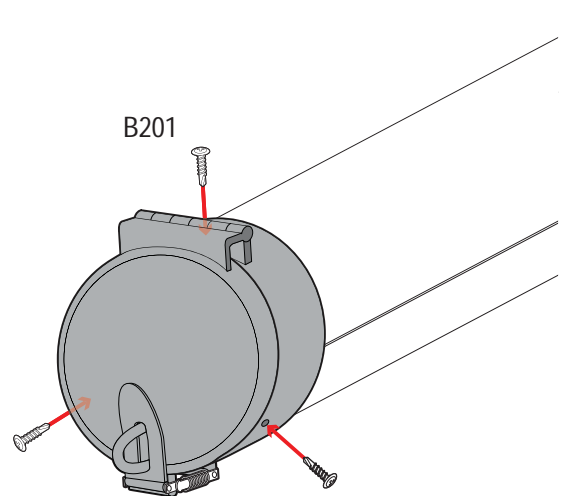




Use a rubber mallet to prevent damage to conduit cap

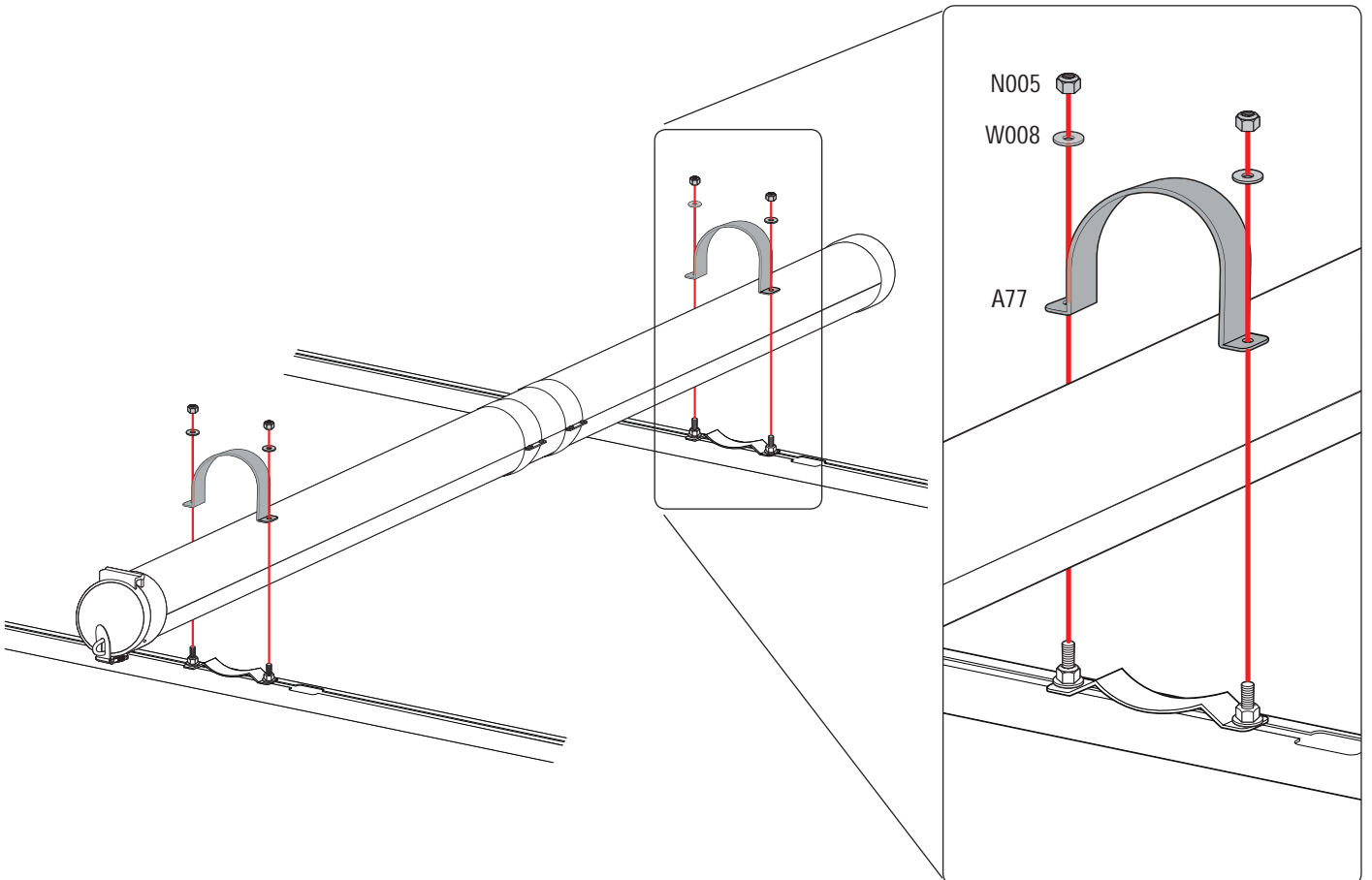
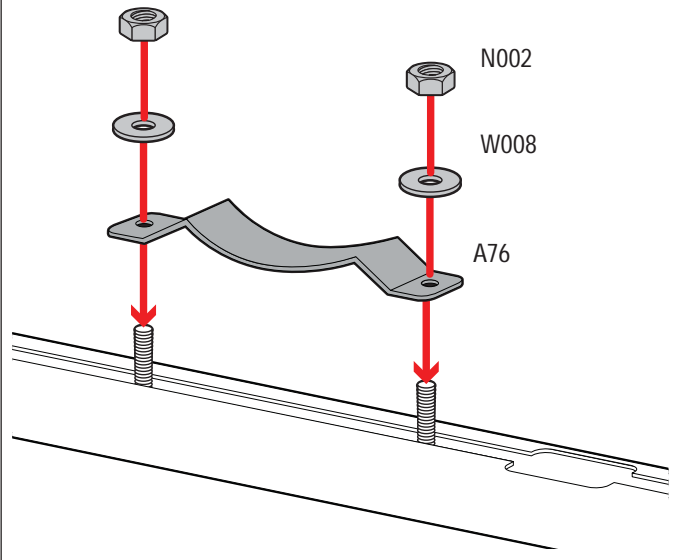
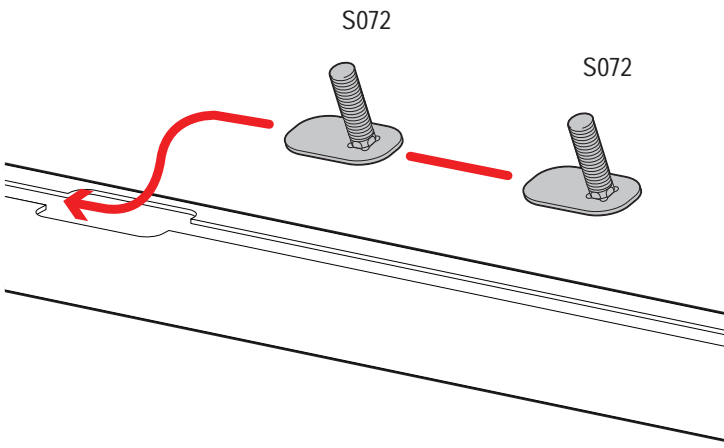


Use a rubber mallet to prevent damage to conduit hatch Rear



X2

FRONT AND REAR



Vantech puts everything within reach.

Learn more about commercial van equipment we have.