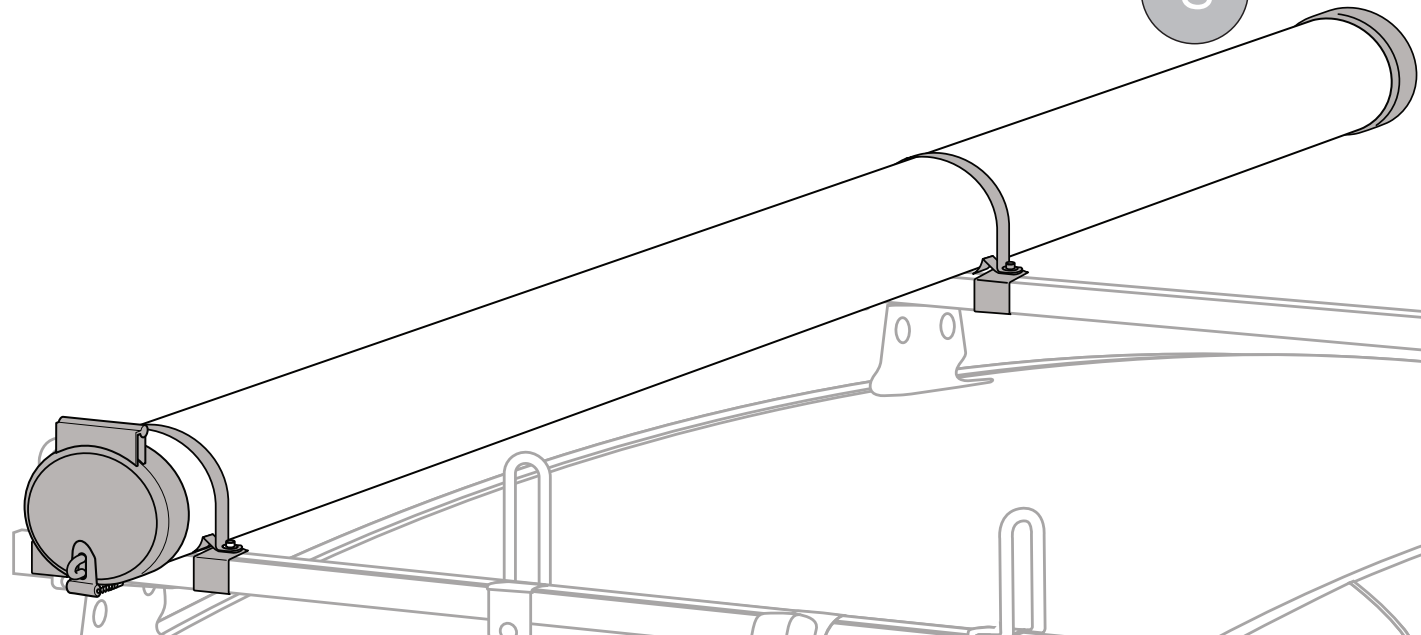


Part #	QUANTITY
D133	1
CCS	1

Part #:	A37S
Dimensions:	8" X 6" X 12"
Weight:	???

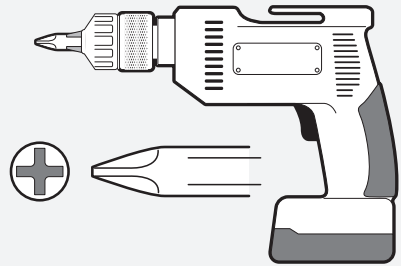


### PRODUCT INFO

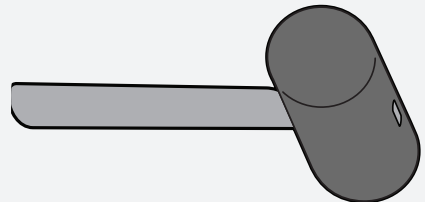
Part #: A37S  
 Material: Aluminum  
 Fitment: M-Series  
 Color: Silver

### REQUIRED TOOLS

Power Tool With Phillips Head

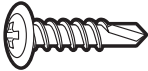




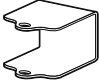
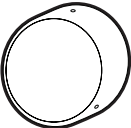





Rubber Mallet

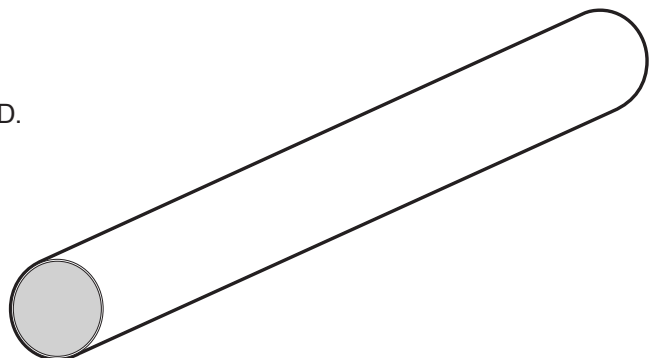


1/2" Wrench

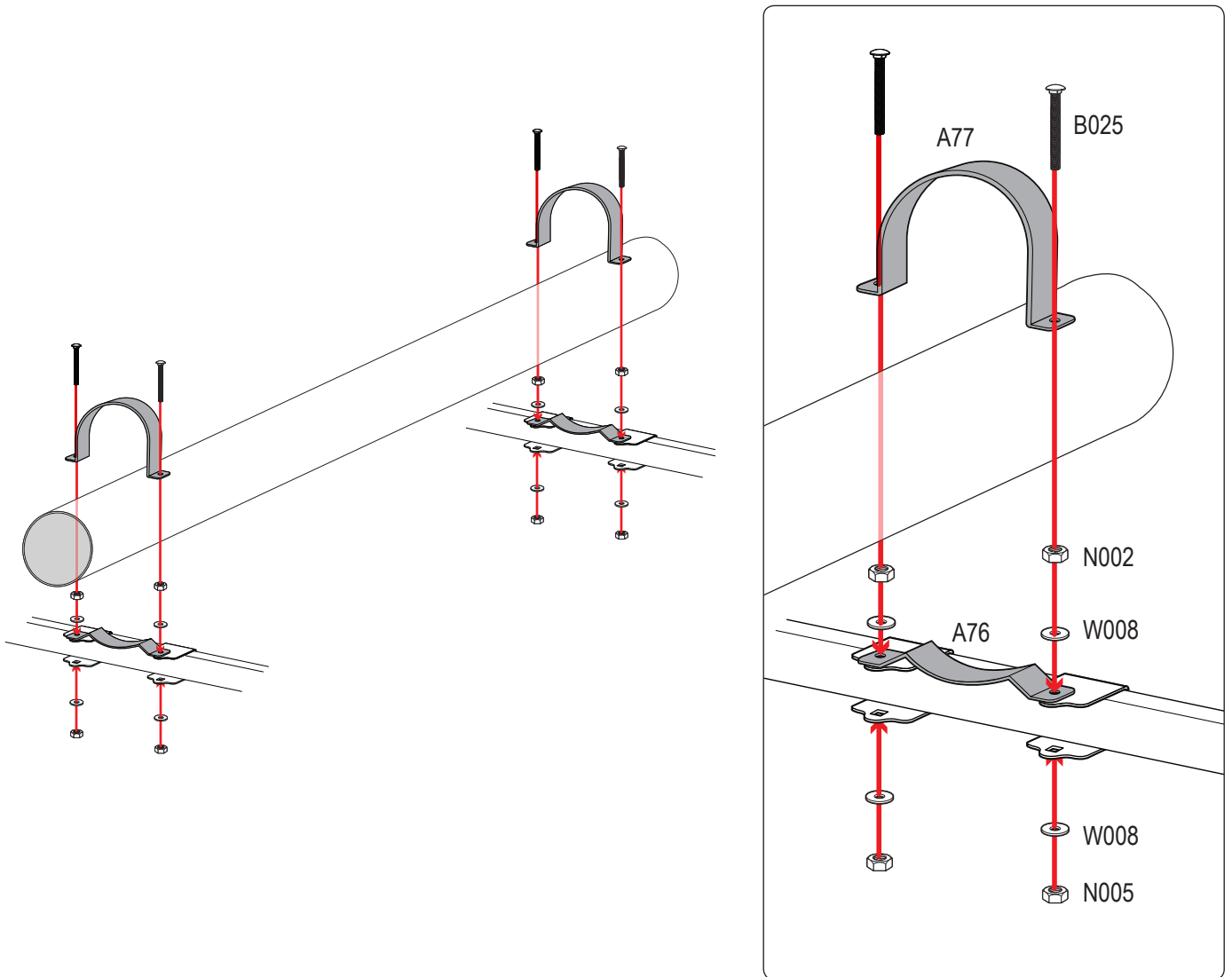
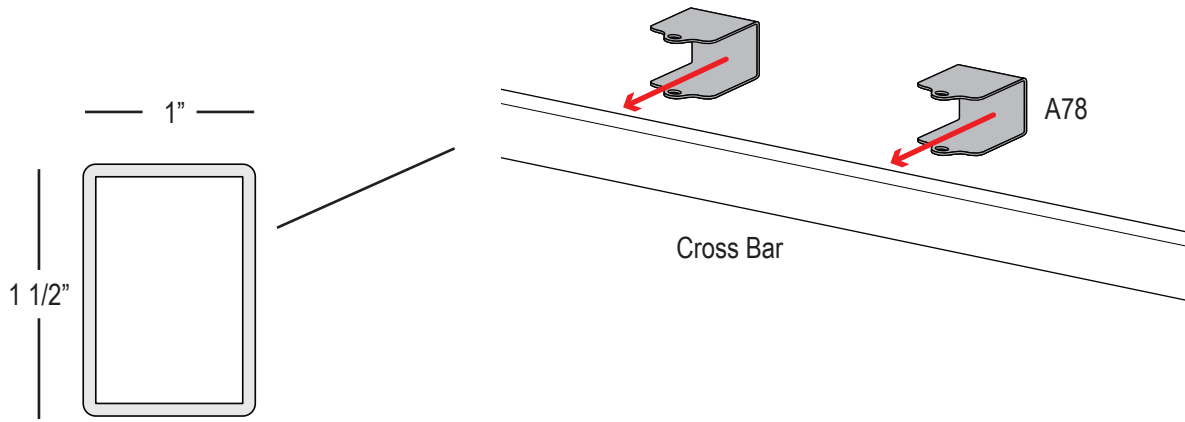


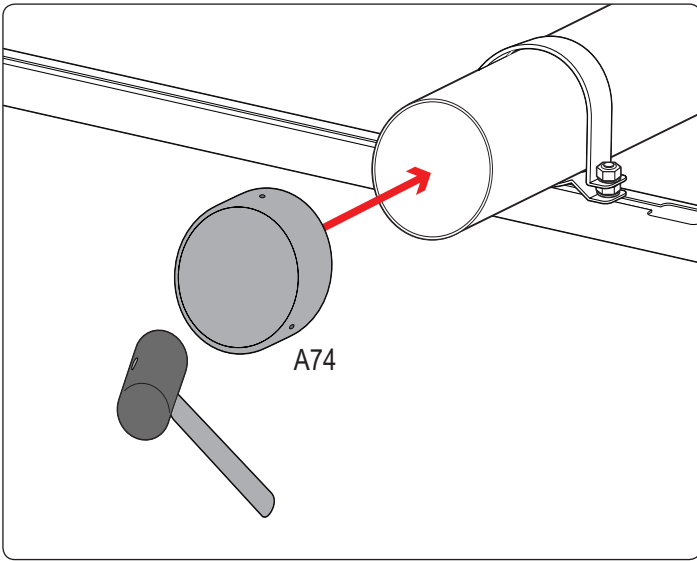
PART #	DESCRIPTION	QTY	ITEM ITEM NOT DRAWN TO SCALE
B201	TAP SCREW	6	
N005	5/16" NYLOC NUT	4	
N002	5/16" NUT	4	
W008	5/16" WASHER	8	
B025	5/16" X 3" CARRIAGE BOLT	4	
A78	CONDUIT CLAMP (1 1/2"/M SERIES)	4	
A74 (CC)	CONDUIT CAP	1	
A75 (CC)	CONDUIT HATCH	1	
A76 (CC)	CONDUIT BASE	2	
A77 (CC)	U BRACKET	2	

THE 6" WIDE PVC PIPE IS NOT INCLUDED.

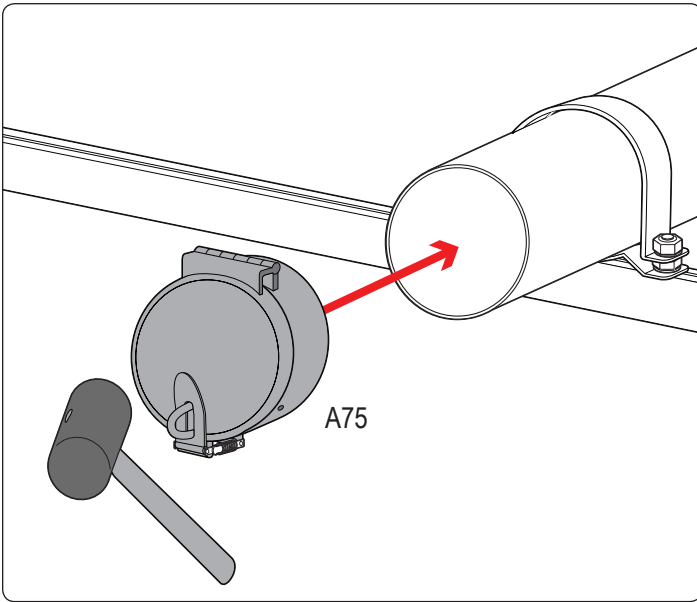
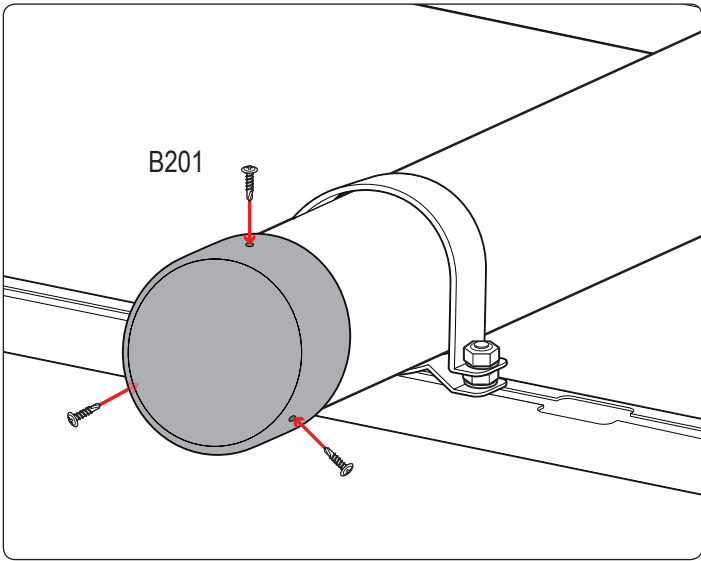


# X2 Front & Rear





Use a rubber mallet to prevent damage to conduit cap Front



Use a rubber mallet to prevent damage to conduit hatch Rear

