



# Warehouse Use Only

---

Part #	QUANTITY
--------	----------

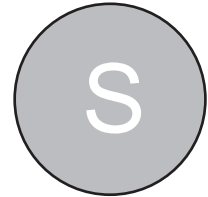
D132	1
------	---

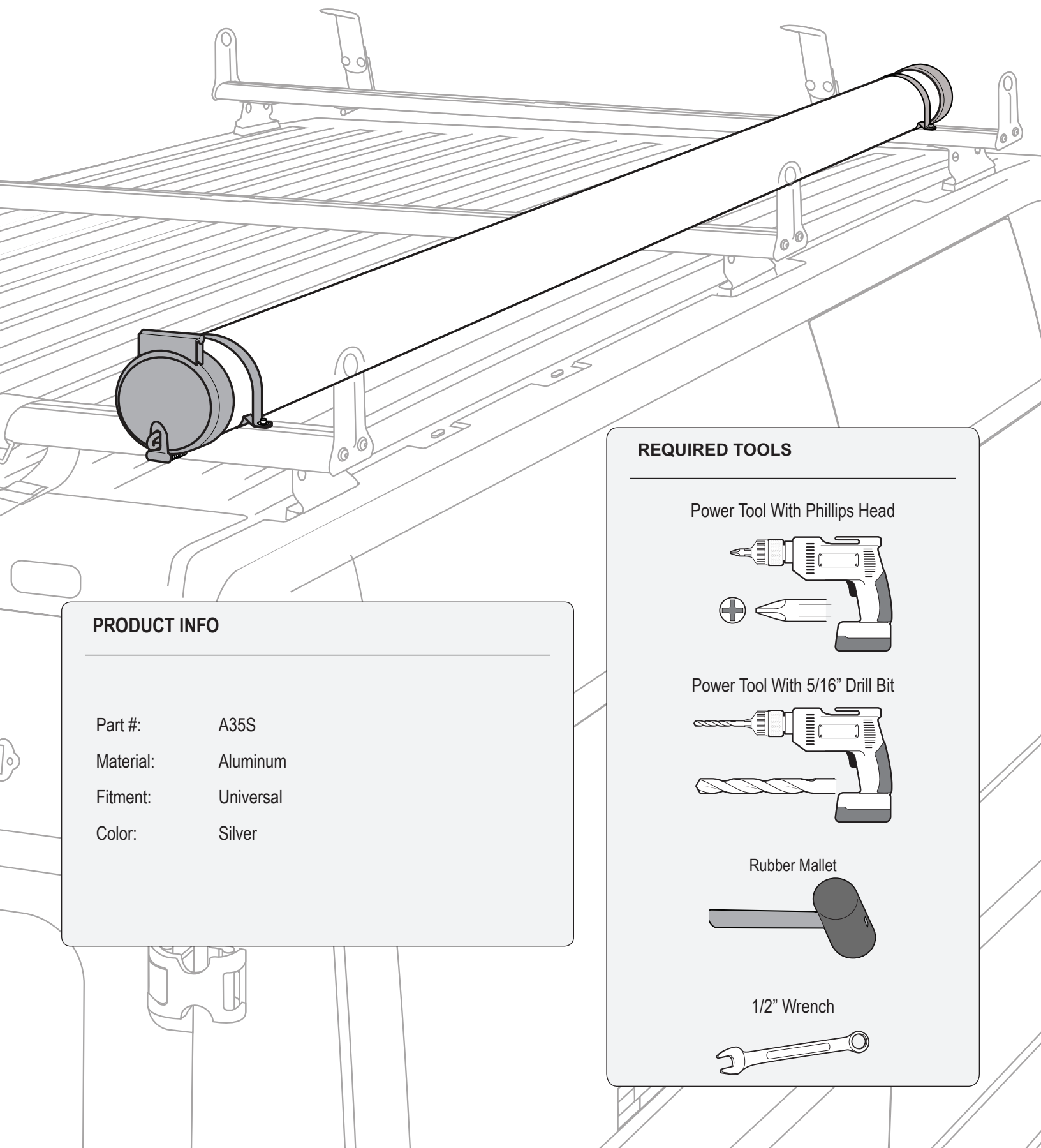
CCS	1
-----	---

Part #:	A35S
---------	------

Dimensions:	8" X 6" X 12"
-------------	---------------

Weight:	???
---------	-----



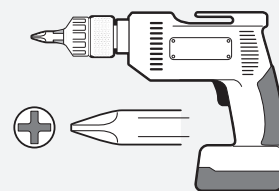


## PRODUCT INFO

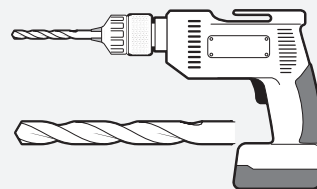
Part #: A35S  
Material: Aluminum  
Fitment: Universal  
Color: Silver

## REQUIRED TOOLS

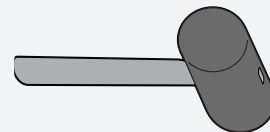
Power Tool With Phillips Head



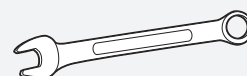
Power Tool With 5/16" Drill Bit

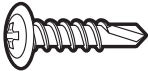



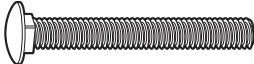
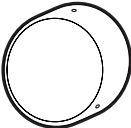
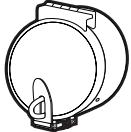

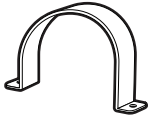


Rubber Mallet

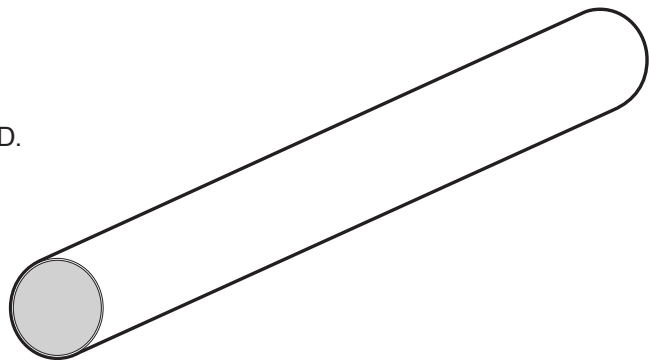


1/2" Wrench



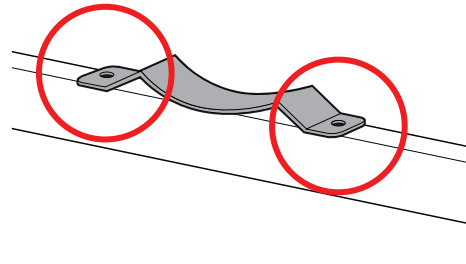
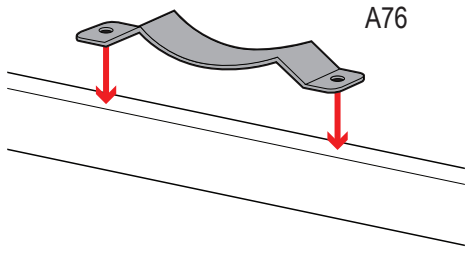
PART #	DESCRIPTION	QTY	ITEM ITEM NOT DRAWN TO SCALE
B201	TAP SCREW	6	
N005	5/16" NYLOC NUT	4	
N002	5/16" NUT	4	
W008	5/16" WASHER	8	
B025	5/16" X 3" CARRIAGE BOLT	4	
A74 (CC)	CONDUIT CAP	1	
A75 (CC)	CONDUIT HATCH	1	
A76 (CC)	CONDUIT BASE	2	
A77 (CC)	U BRACKET	2	

THE 6" WIDE PVC PIPE IS NOT INCLUDED.

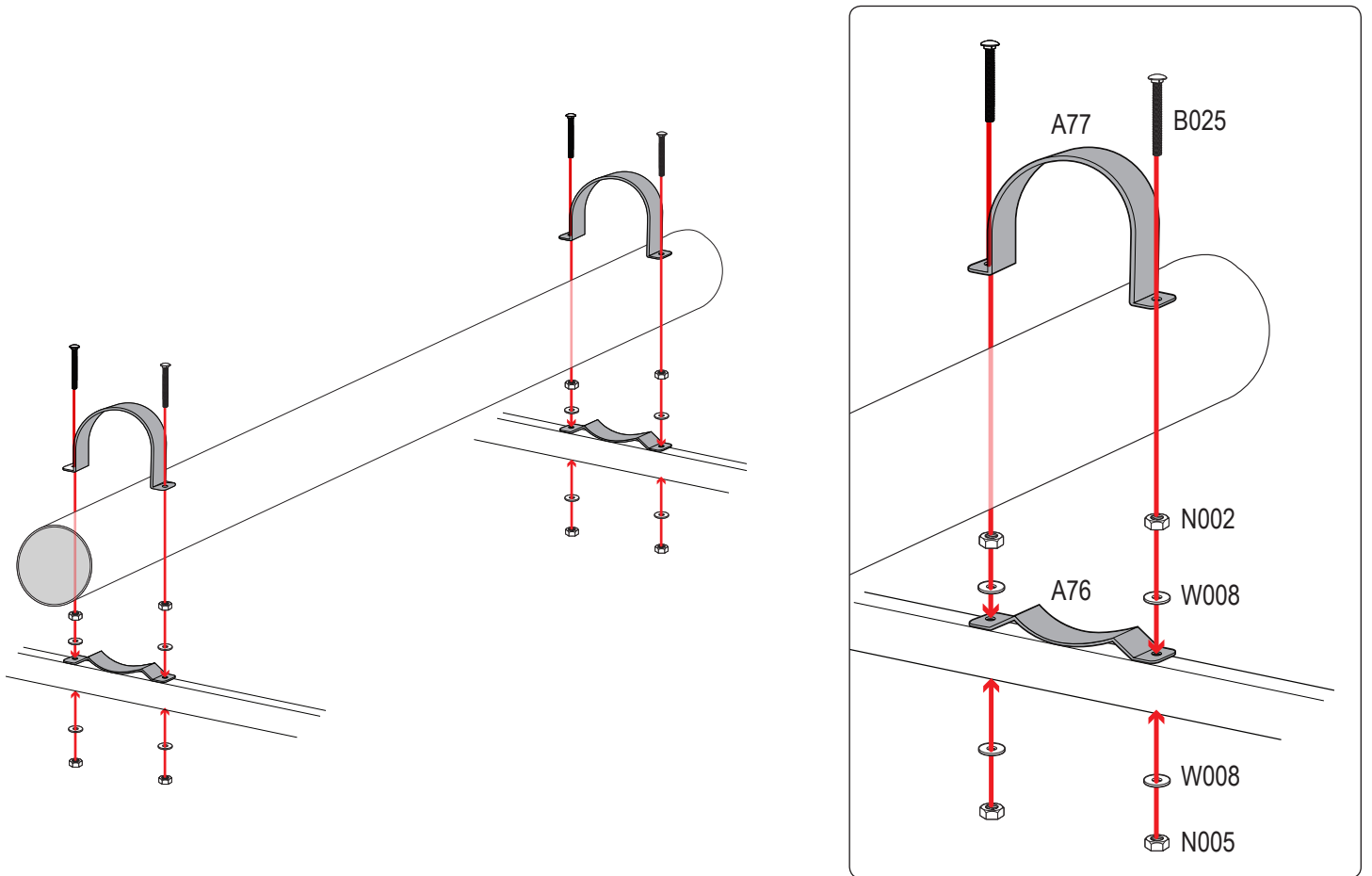
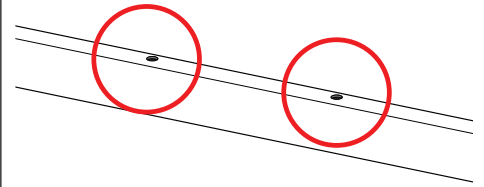
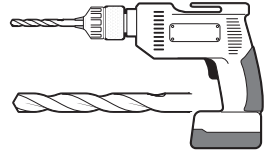


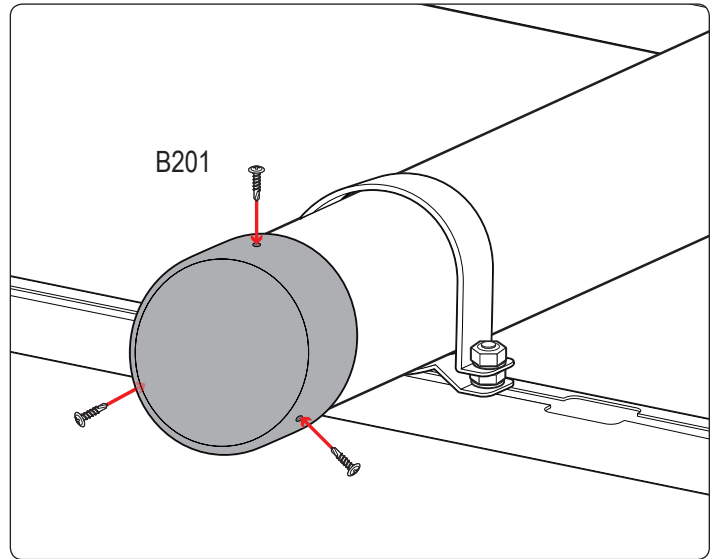
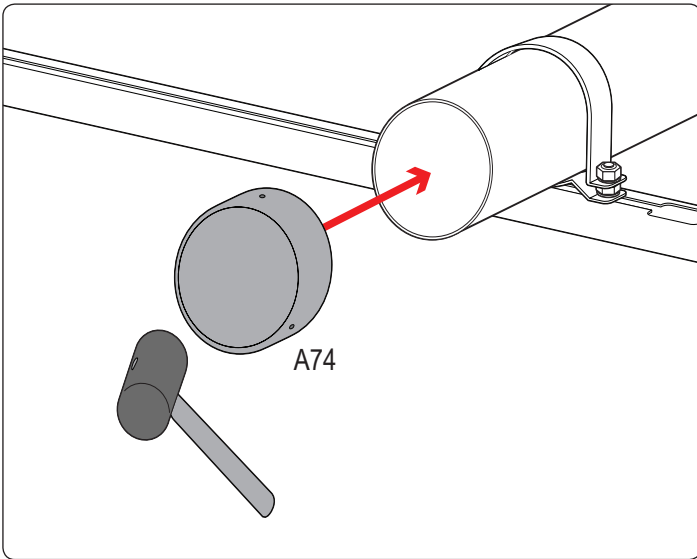
# X2

FRONT AND REAR

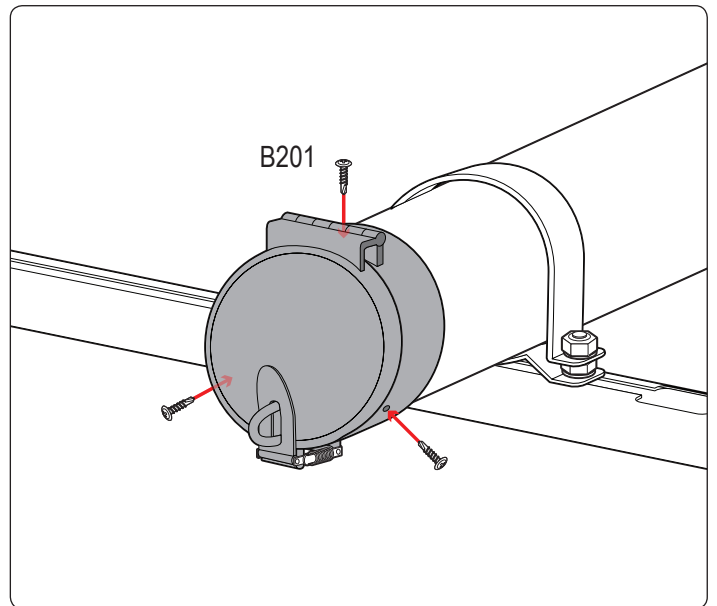
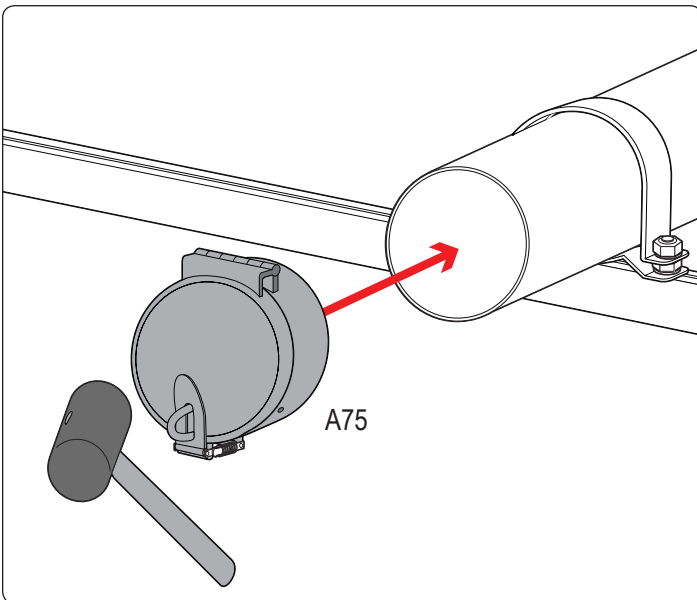


5/16" Drill Bit





Use a rubber mallet to prevent damage to conduit cap Front



Use a rubber mallet to prevent damage to conduit hatch Rear