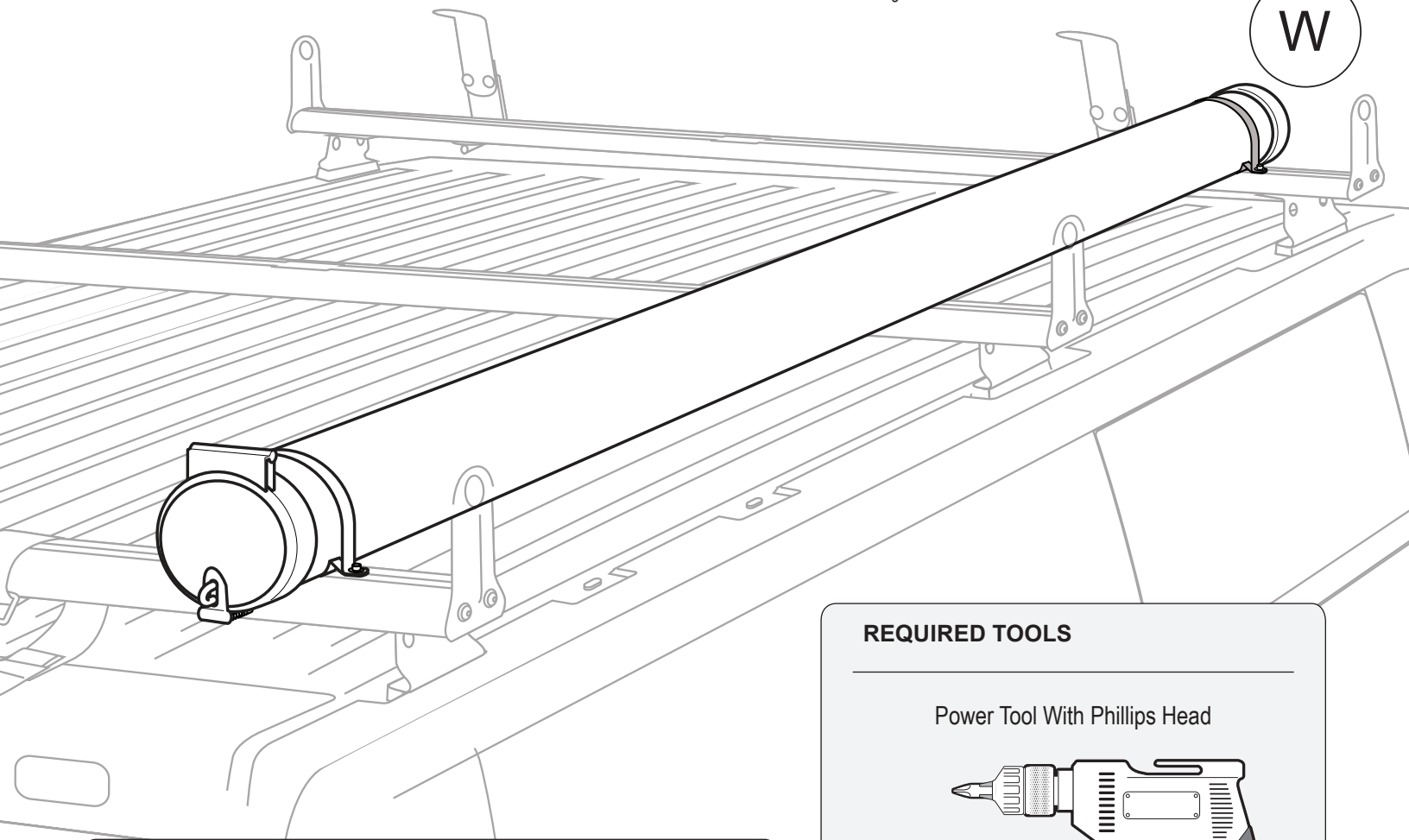


| Part # | QUANTITY |
|--------|----------|
| D131   | 1        |
| CCW    | 1        |

|             |               |
|-------------|---------------|
| Part #:     | A34W          |
| Dimensions: | 8" X 6" X 12" |
| Weight:     | ???           |

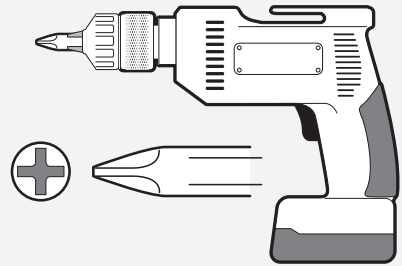


**PRODUCT INFO**

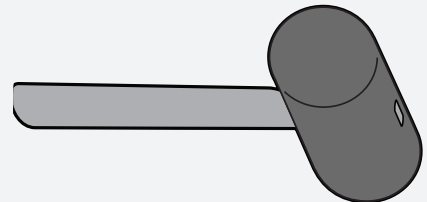
Part #: A34W  
Material: Aluminum  
Fitment: Aluminum Channels  
Color: White

**REQUIRED TOOLS**

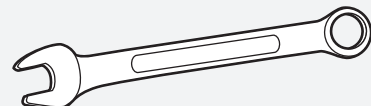
Power Tool With Phillips Head

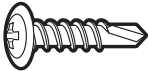




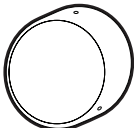
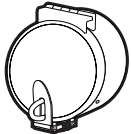




Rubber Mallet

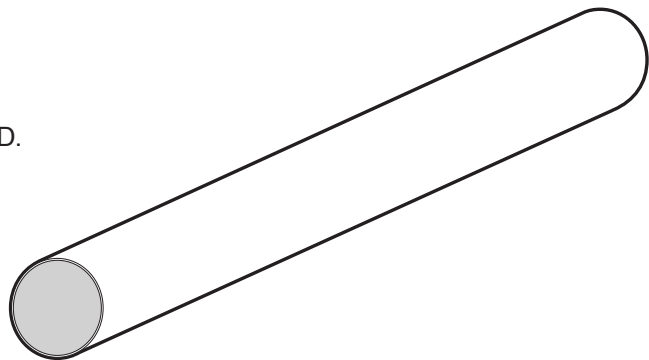


1/2" Wrench



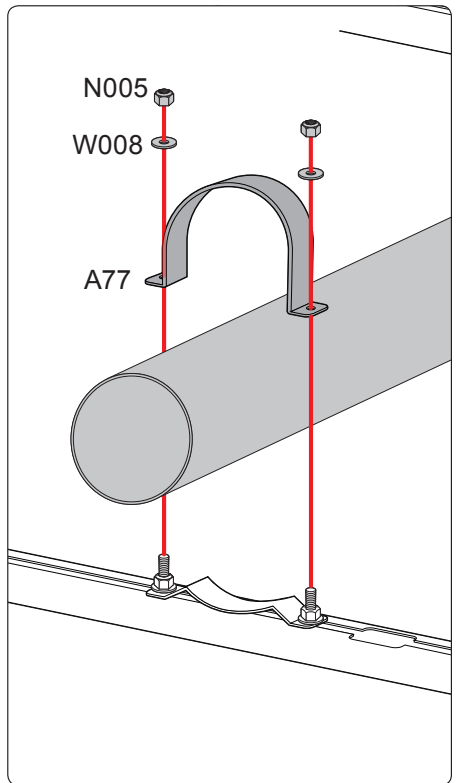
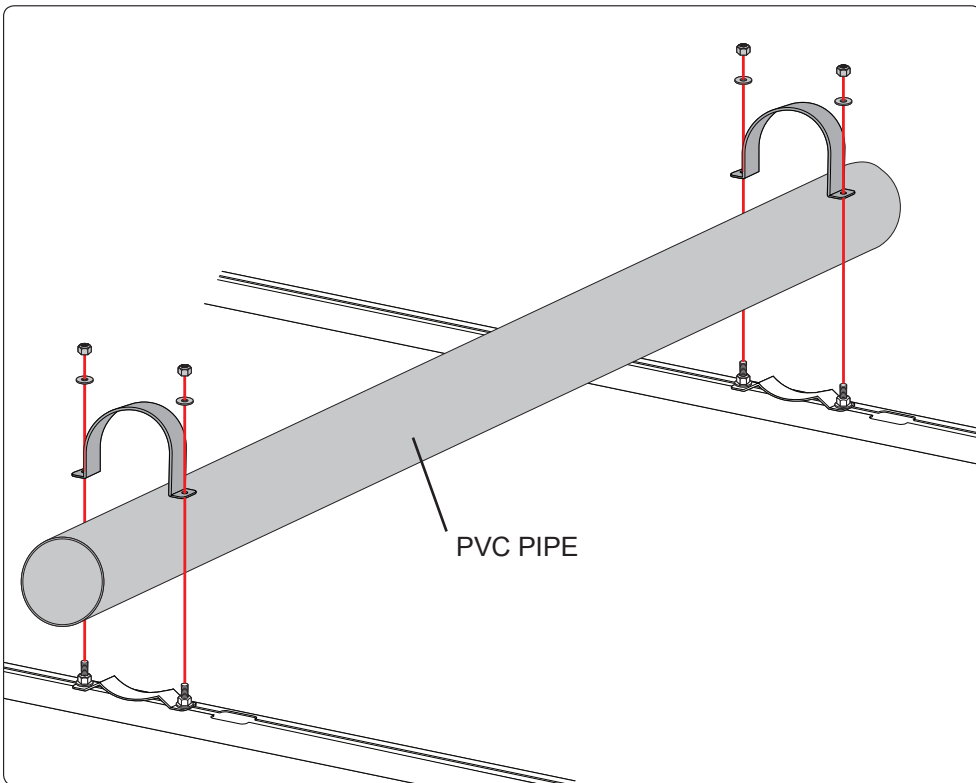
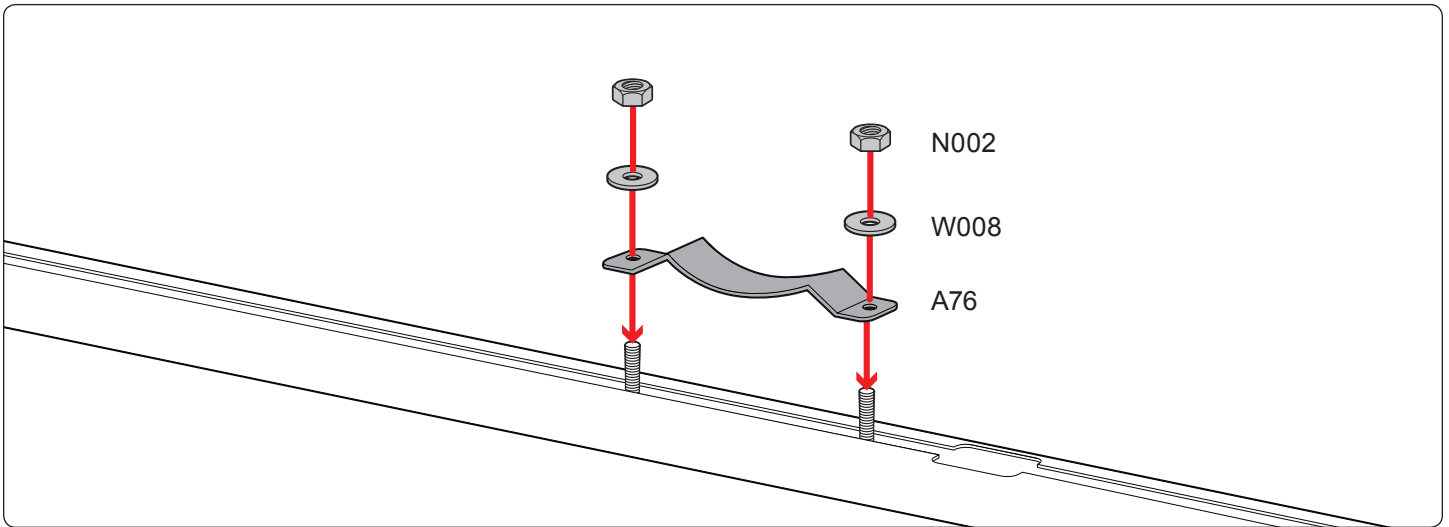
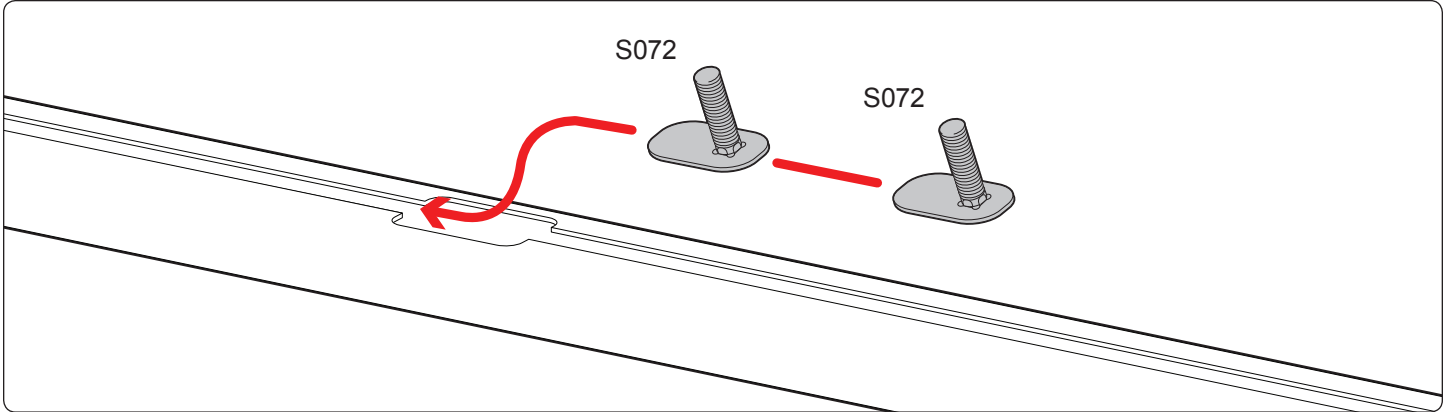
| PART #   | DESCRIPTION                       | QTY | ITEM<br>ITEM NOT DRAWN TO SCALE   |
|----------|-----------------------------------|-----|---|
| SS-B201  | TAP SCREW                         | 6   |    |
| SS-N005  | 5/16" NYLOC NUT                   | 4   |    |
| SS-N002  | 5/16" NUT                         | 4   |    |
| SS-W008  | 5/16" WASHER                      | 8   |    |
| S072     | 5/16" SINGLE SLIDER (1 1/4" LONG) | 4   |    |
| A74 (CC) | CONDUIT CAP                       | 1   |    |
| A75 (CC) | CONDUIT HATCH                     | 1   |  |
| A76 (CC) | CONDUIT BASE                      | 2   |  |
| A77 (CC) | U BRACKET                         | 2   |  |

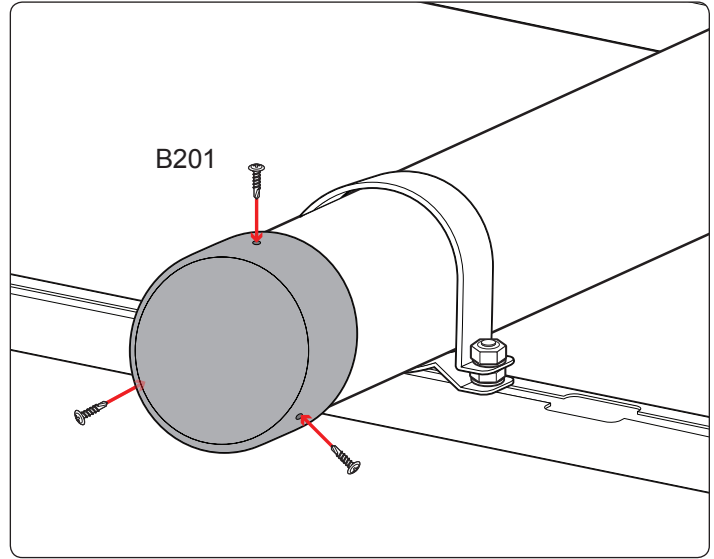
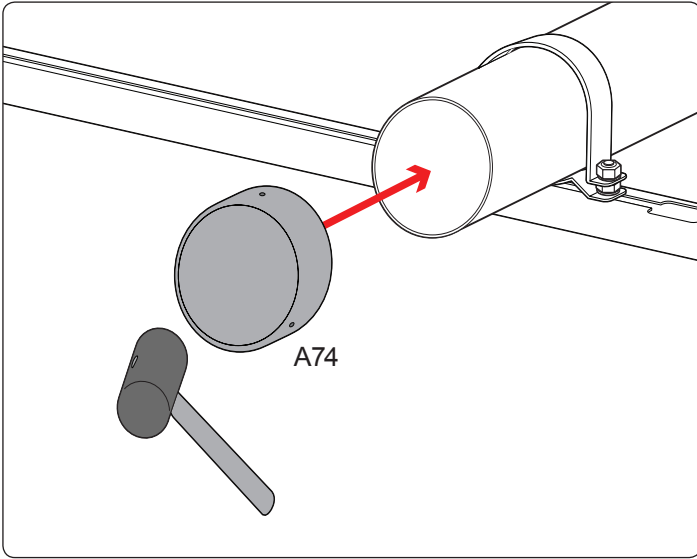
THE 6" WIDE PVC PIPE IS NOT INCLUDED.



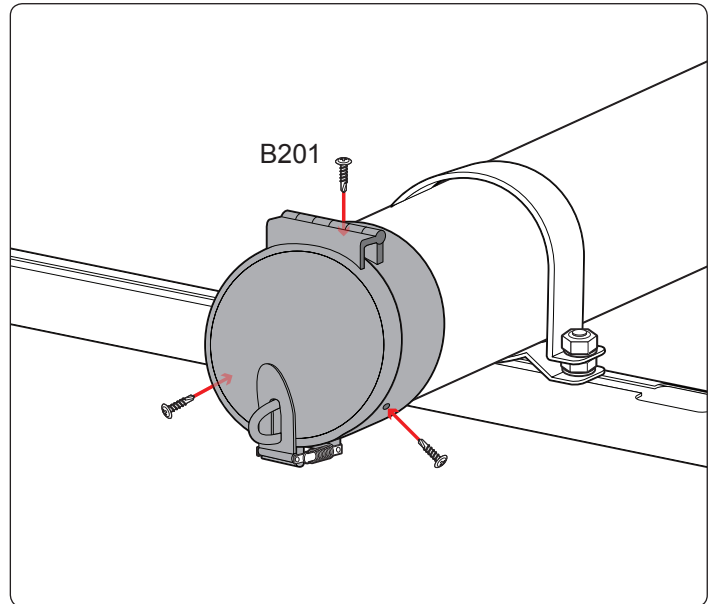
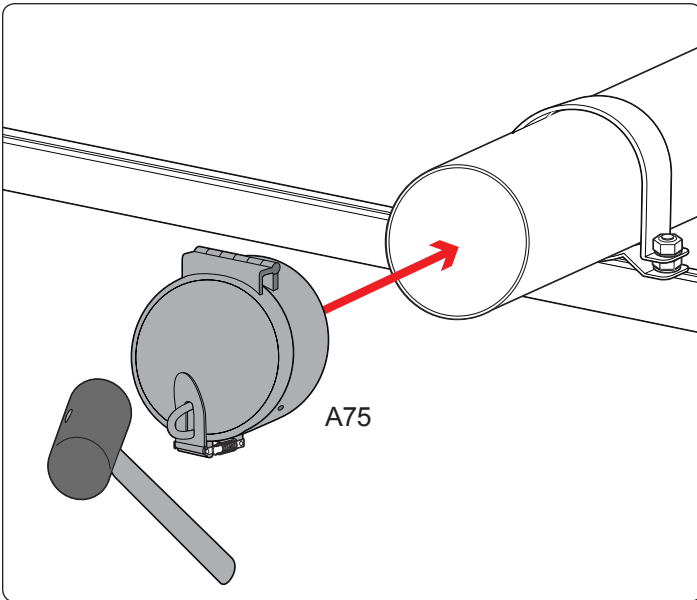
# X2

FRONT AND REAR





Use a rubber mallet to prevent damage to conduit cap **Front**



Use a rubber mallet to prevent damage to conduit hatch **Rear**