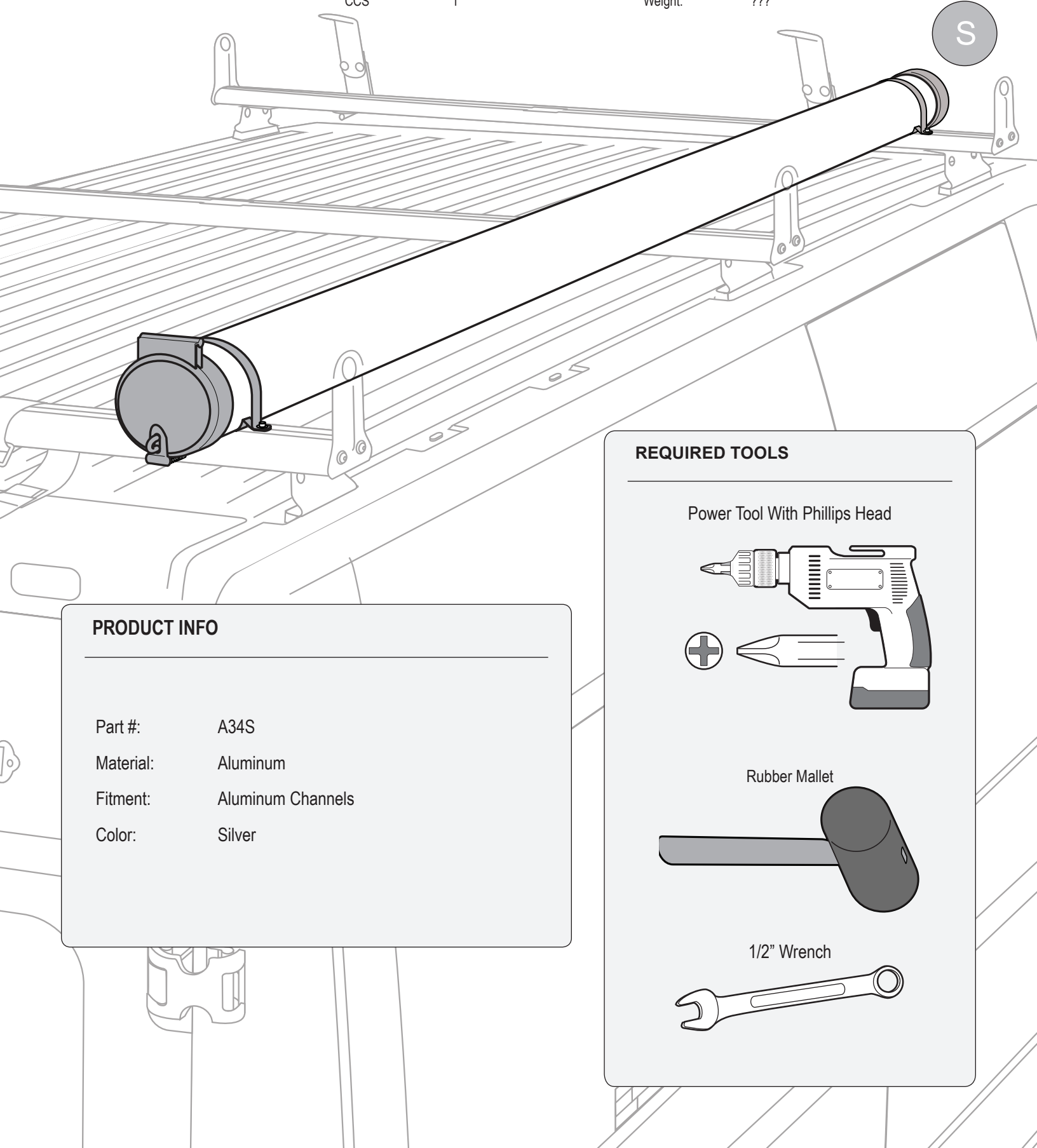


Part #	QUANTITY
D131	1
CCS	1

Part #:	A34S
Dimensions:	8" X 6" X 12"
Weight:	???

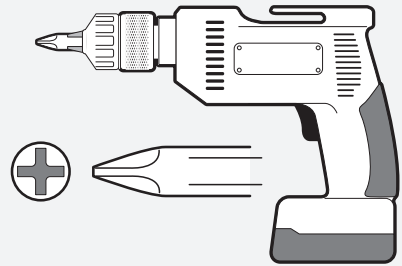


PRODUCT INFO

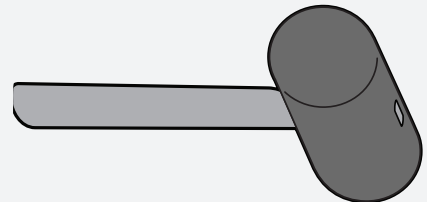
Part #: A34S
Material: Aluminum
Fitment: Aluminum Channels
Color: Silver

REQUIRED TOOLS

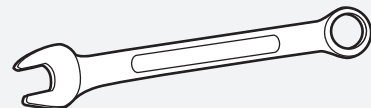
Power Tool With Phillips Head

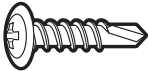




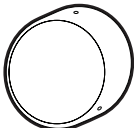
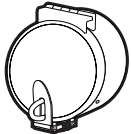




Rubber Mallet

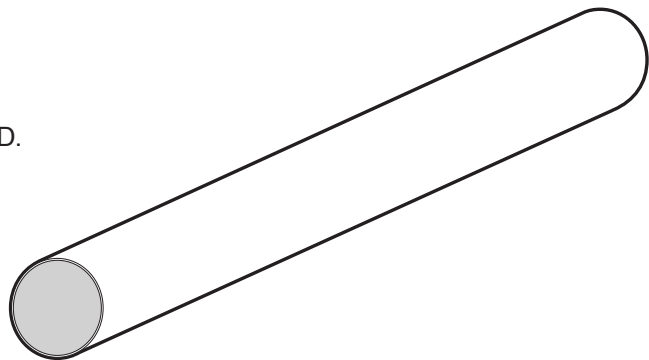


1/2" Wrench



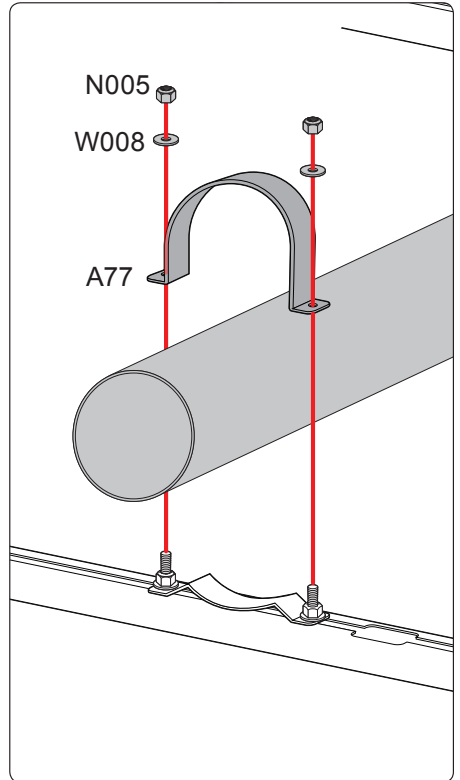
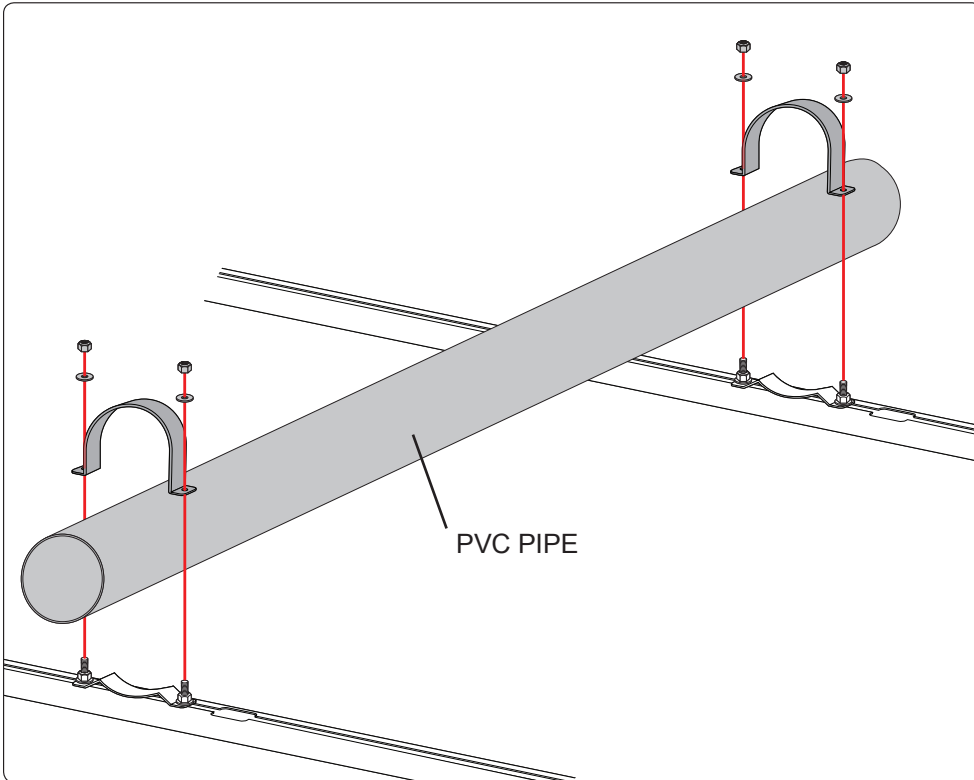
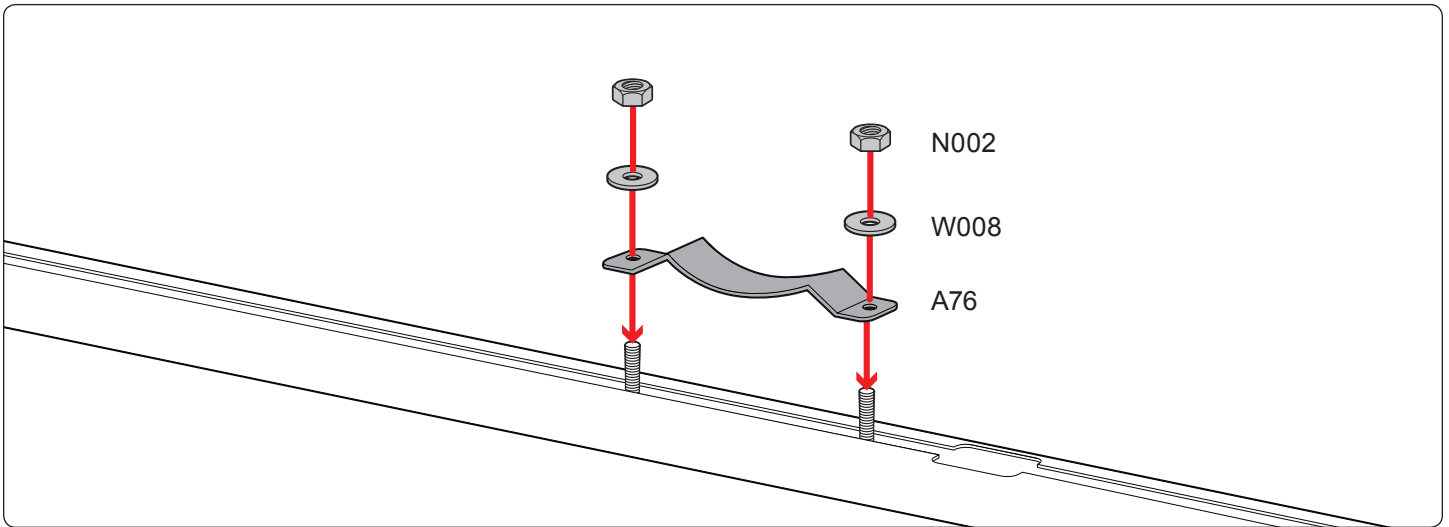
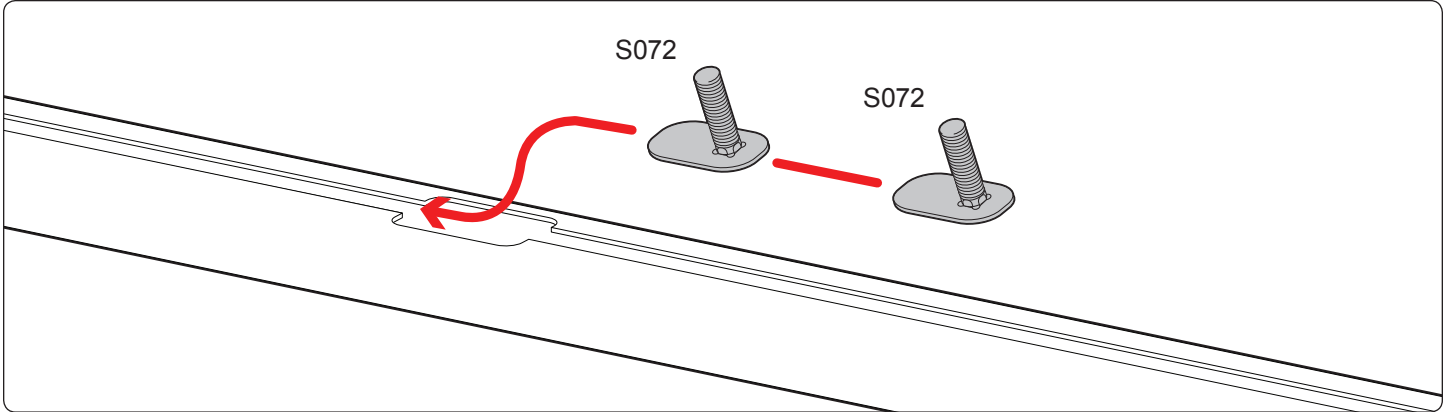
PART #	DESCRIPTION	QTY	ITEM ITEM NOT DRAWN TO SCALE
SS-B201	TAP SCREW	6	
SS-N005	5/16" NYLOC NUT	4	
SS-N002	5/16" NUT	4	
SS-W008	5/16" WASHER	8	
S072	5/16" SINGLE SLIDER (1 1/4" LONG)	4	
A74 (CC)	CONDUIT CAP	1	
A75 (CC)	CONDUIT HATCH	1	
A76 (CC)	CONDUIT BASE	2	
A77 (CC)	U BRACKET	2	

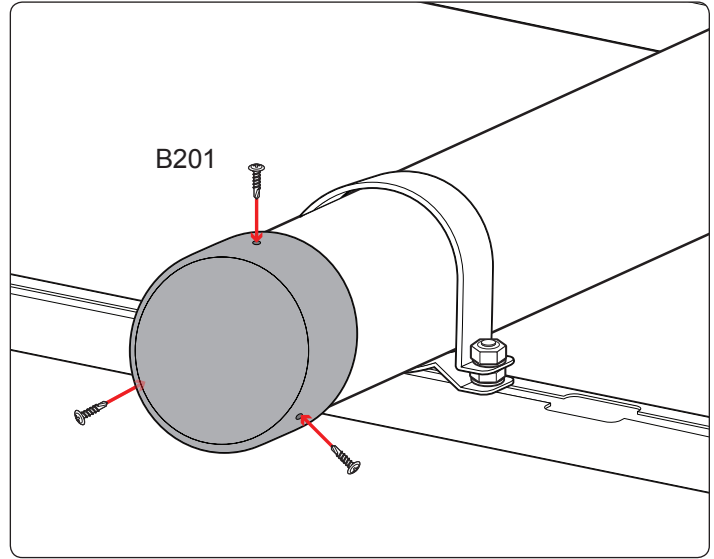
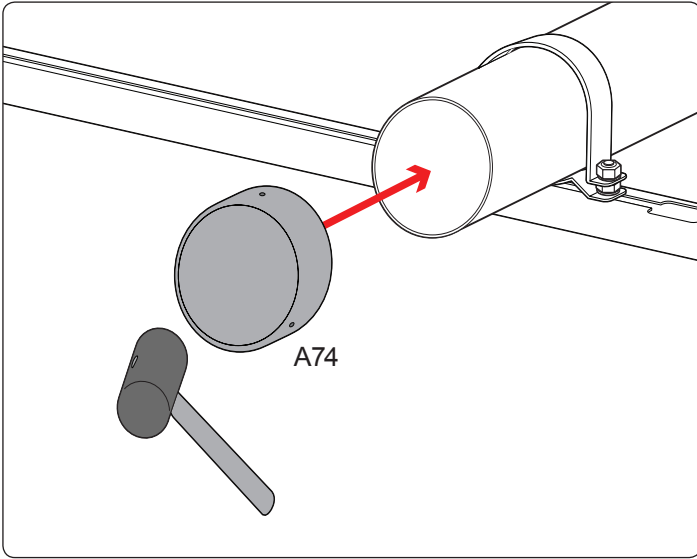
THE 6" WIDE PVC PIPE IS NOT INCLUDED.



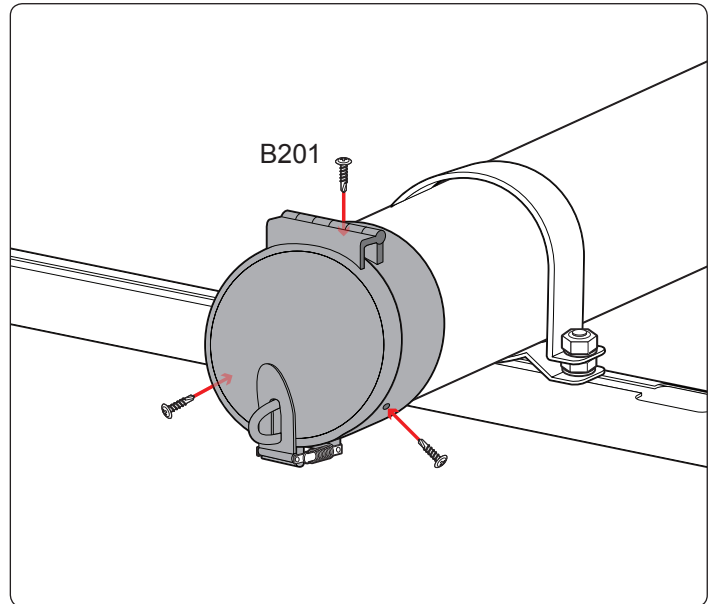
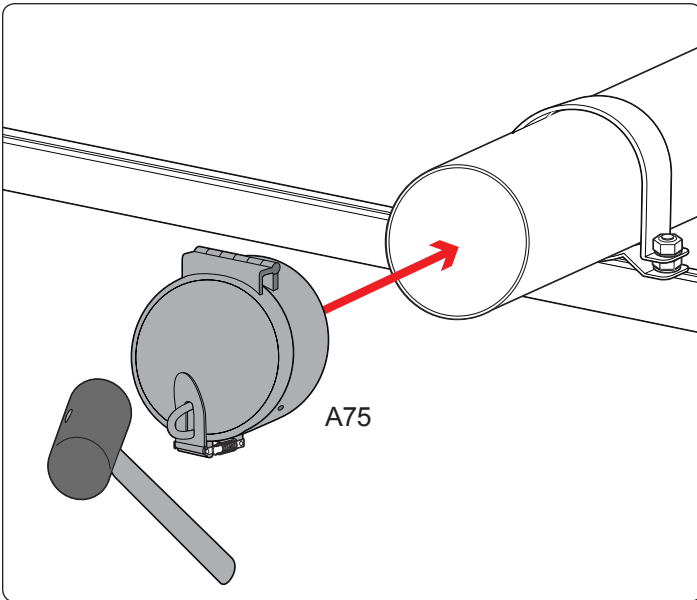
X2

FRONT AND REAR





Use a rubber mallet to prevent damage to conduit cap **Front**



Use a rubber mallet to prevent damage to conduit hatch **Rear**