

INSTALLATION INSTRUCTION

ITEM NO.: 1228

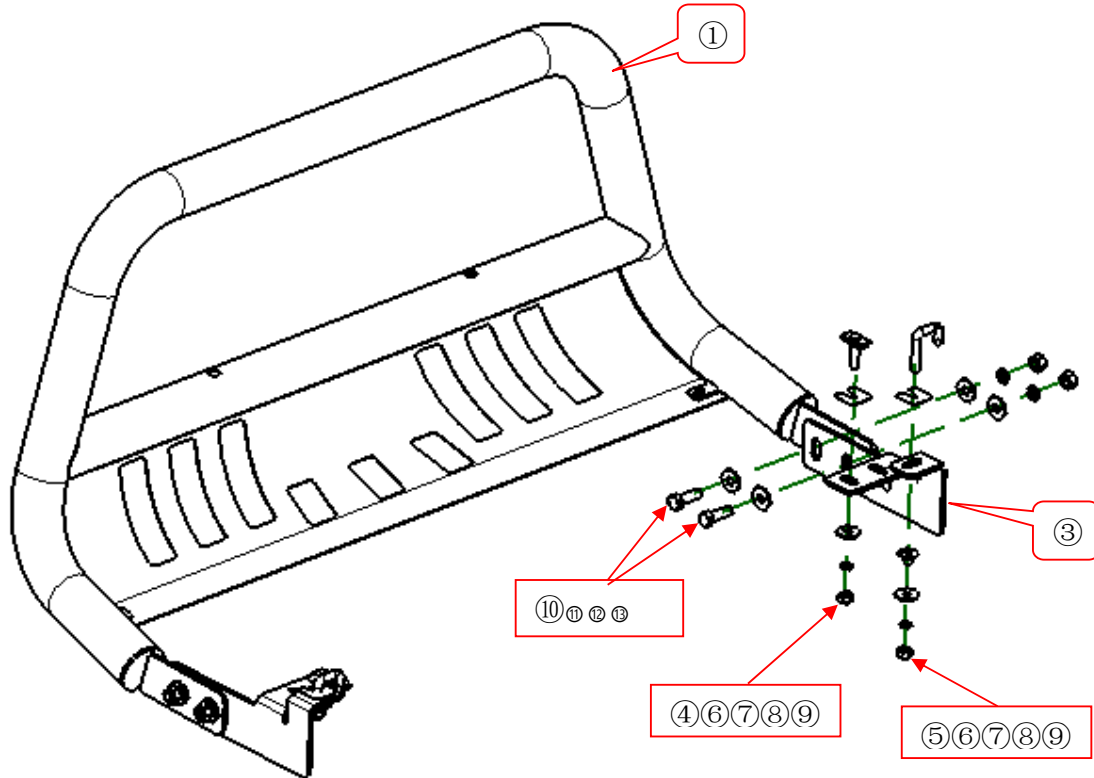
DESCRIPTION: BULL BAR FOR EDGE 2015+

- Please read this installation menu before installing this part. Protect your car properly in case there is any scratch might have.
- You may need to periodically to re-tighten all hardware for safety use after installation.
- Installation pictures are only for your reference, there might be some differences between pictures and real parts but no affect for your fitting.

PART LIST

NO.	NAME	QTY	REMARK	NO.	NAME	QTY	REMARK
①	Bull Bar	1		⑧	Spring Washer	4	φ10
②	Left Bracket	1		⑨	Hexagon Nut	4	M10
③	Right Bracket	1		⑩	Hexagon Bolt	4	M12x35
④	T Bolt	2	M10*40	⑪	Large Washer	8	φ12x30x3.0
⑤	Deformed Bolt	2	M10*35	⑫	Spring Washer	4	φ12
⑥	PVC Fixture	4	Φ10	⑬	Hexagon Nut	4	M12
⑦	Large Washer	4	φ10x30x2.5				

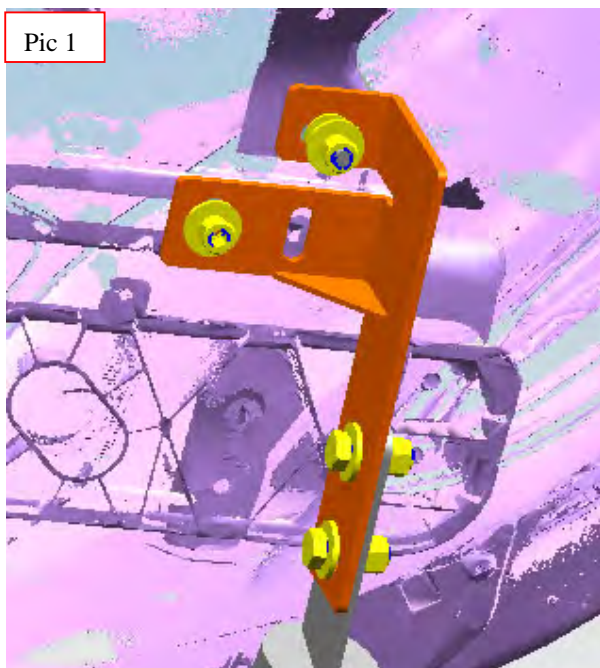
INSTALLATION PICTURE



INSTALLATION PROCEDURES

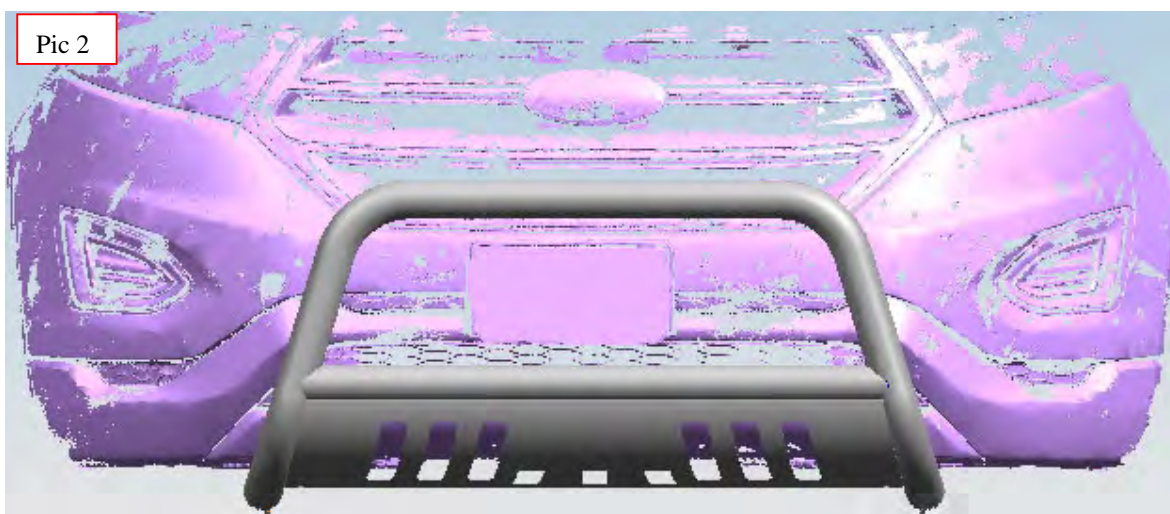
Step 1: Refer to Part List and Installation Picture to check if all hard ware are included.

Step 2: Refer to the following picture to install left and right bracket.

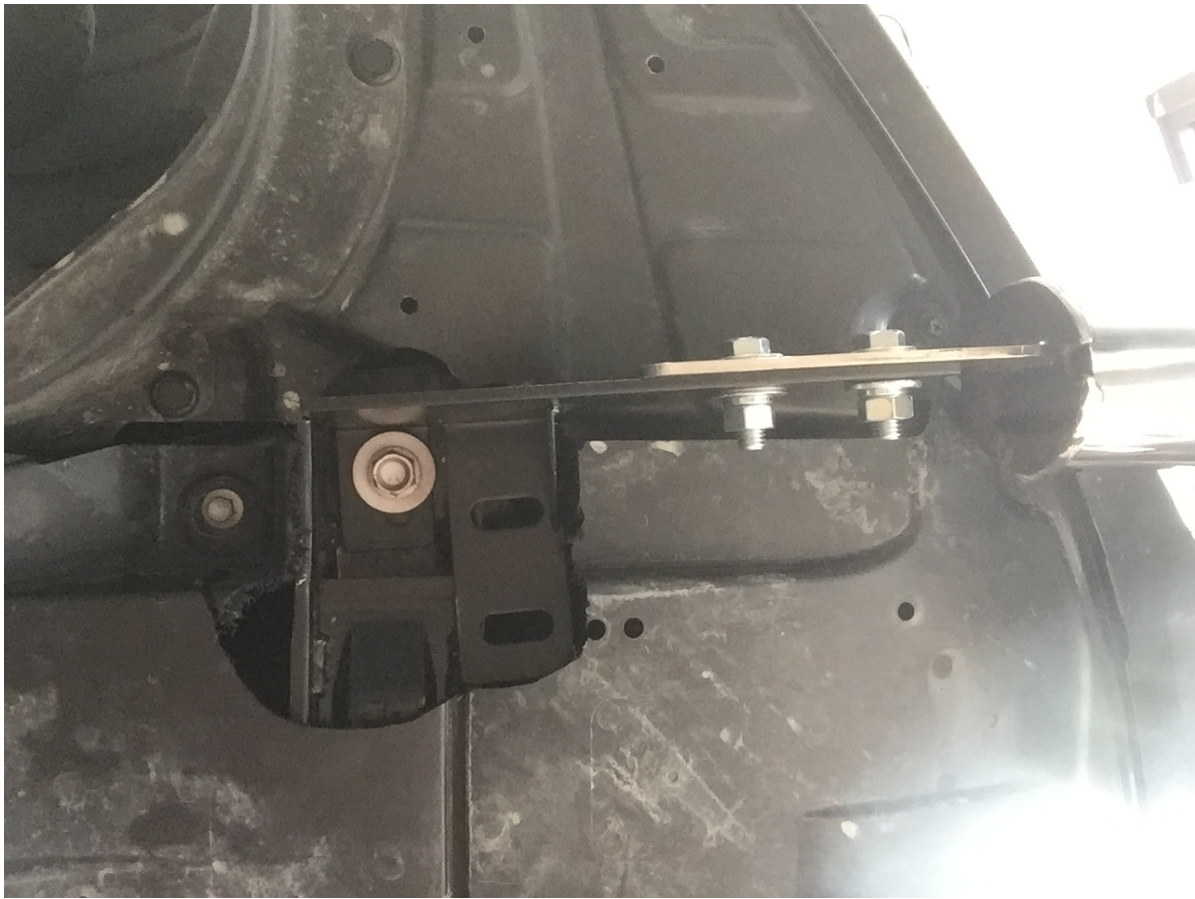


Step 3: Install the bull bar on the brackets and then adjust them to the proper positions.

Step 4: Check if all hard ware are installed and then fasten all to complete the installation.



Disclaimer: Caused due to improper installation initiates some related problem and losses, are beyond our company's quality assurance.



Looking for dependable grille guards and bull bars? Rely on Vanguard Off-Road for quality and long-lasting products.