



Installation Instruction

2014+ NISSAN ROGUE SS
2.5' A-BAR / SPORT BAR

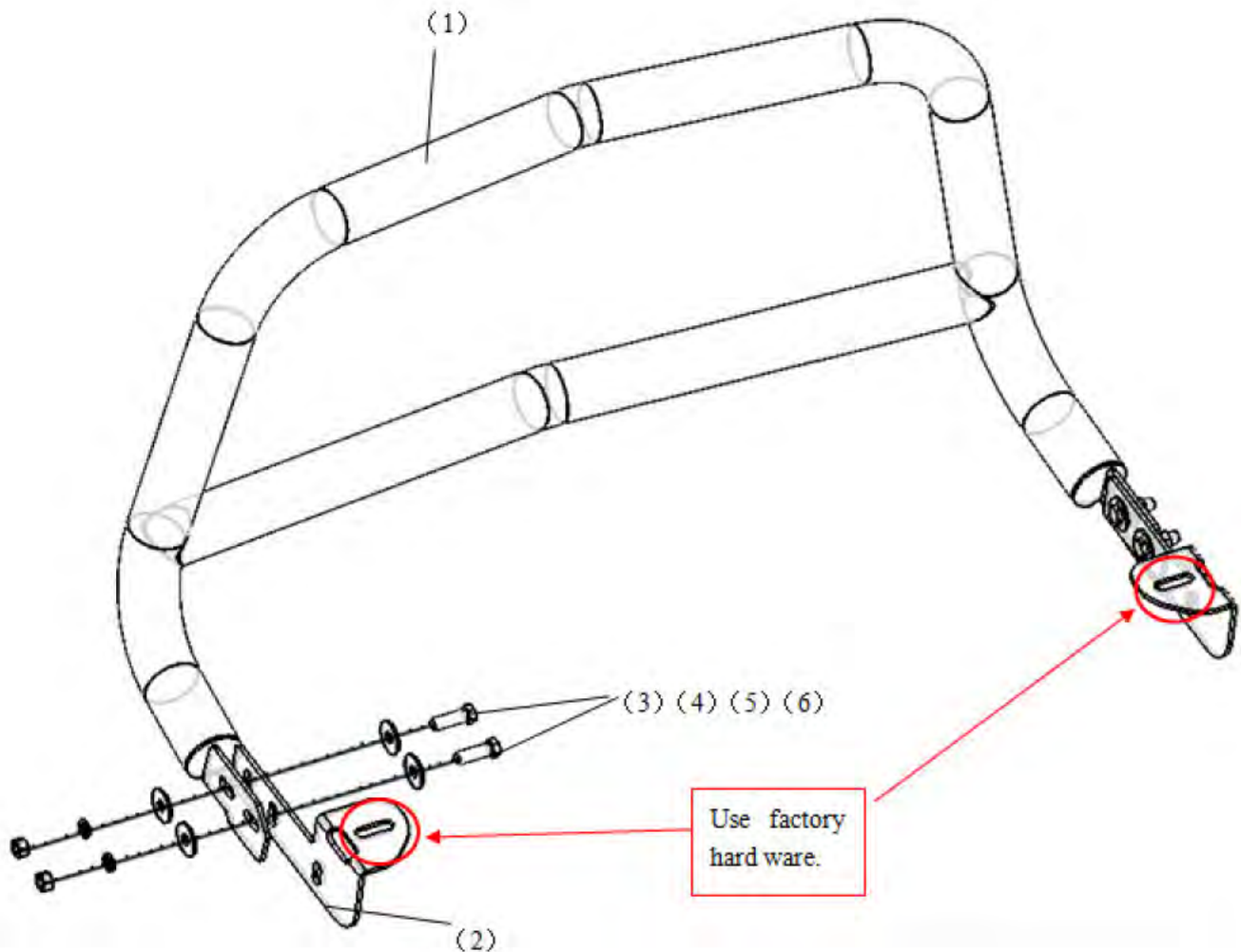
Hardware Included:

NO.	NAME	QTY	REMARK	NO.	NAME	QTY	REMARK
(1)	Bull Bar	1		(4)	Large Washer	8	Φ12*30*3.0
(2)	Bracket	2		(5)	Spring Washer	4	Φ12
(3)	Hexagon Head Bolt	4	M12x35	(6)	Hexagon Nut	4	M12

Attention:

- Please read this installation menu before installing this part. Protect your car properly in case there is any scratch might have.
- You may need to periodically to re-tighten all hardware for safety use after installation.
- Installation pictures are only for your reference, there might be some differences between pictures and real parts but no affect for your fitting.

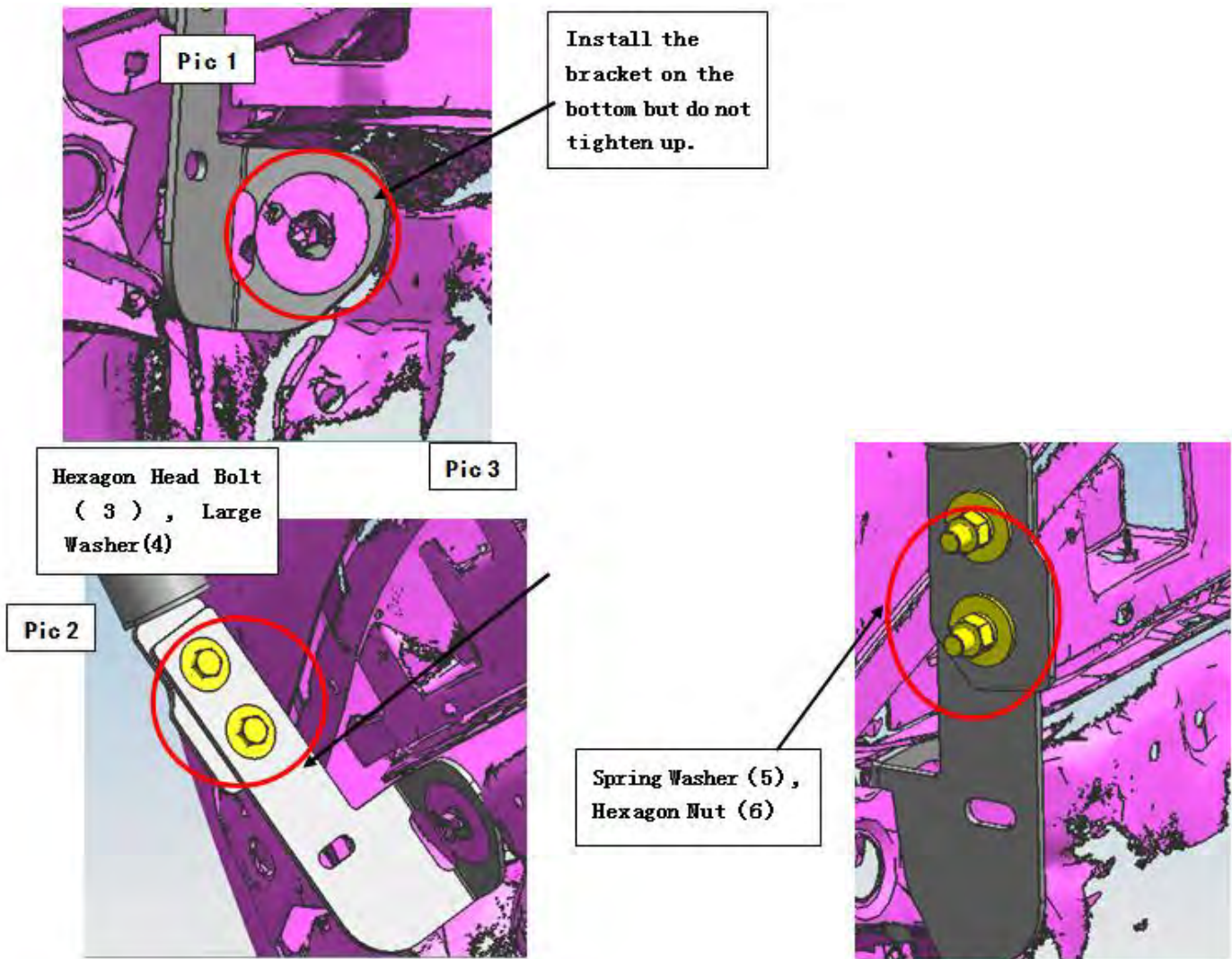
INSTALLATION PICTURES



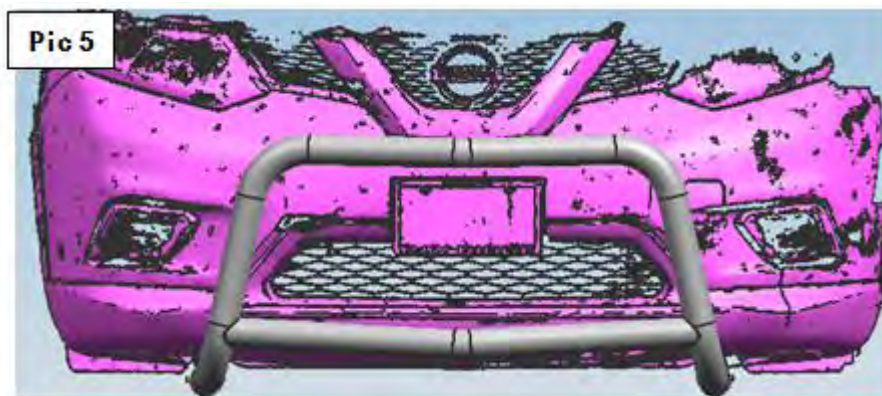
INSTALLATION PROCEDURES

Step 1: Refer to the Part list to check if all the hardware are included.

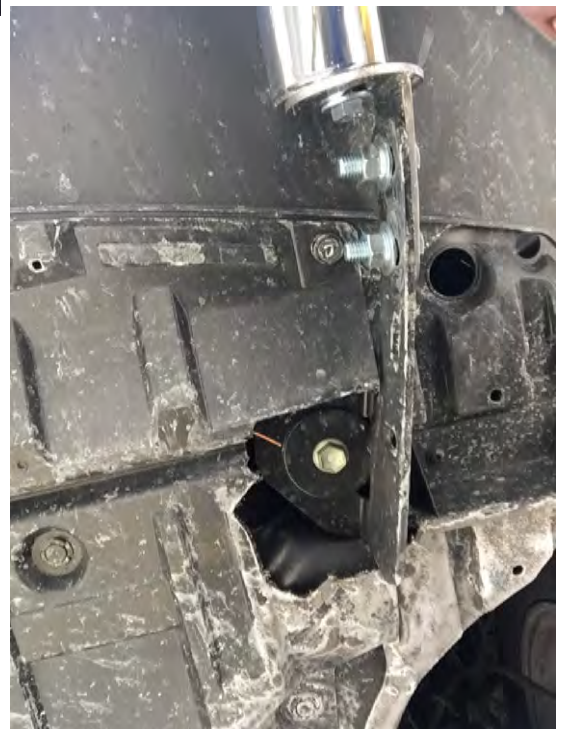
Step 2: Distinguish the left and right according to the print *R* and *L*. It is easier for your installation by putting the bracket with its fastening pieces together.



Step 3: Check if all hard ware are installed and after adjusting all brackets, tighten up all hardware and complete the installation.



Disclaimer: Caused due to improper installation initiates some related problem and losses, are beyond our company's quality assurance.



Looking for dependable grille guards and bull bars? Rely on Vanguard Off-Road for quality and long-lasting products.