



VGUBG-0950SS 3" BULL BAR
99-06, 07 "CLASSIC" CHEVY SILVERADO1500/GMC SIERRA1500
02-06 AVALANCHE 1500, 00-06 SUBURBAN 1500, 00-06 TAHOE1500/YUKON 1500

PARTS LIST:

1	Bull Bar	4	12mm Lock Washers
1	Driver/Left Mounting Bracket	4	12mm Hex Nuts
1	Passenger/Right Mounting Bracket	4	10-1.5mm x 35mm Hex Bolts
2	12-1.75mm Bolt Plates	8	10mm x 30mm OD x 2.5mm Flat Washers
2	12-1.75mm x 40mm Hex Bolts	4	10mm Lock Washers
8	12mm x 32mm OD x 3mm Flat Washers	4	10mm Hex Nuts

PROCEDURE:

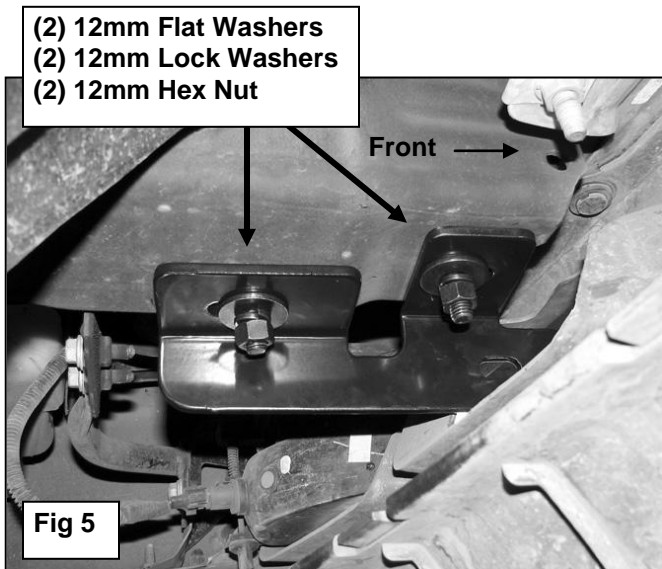
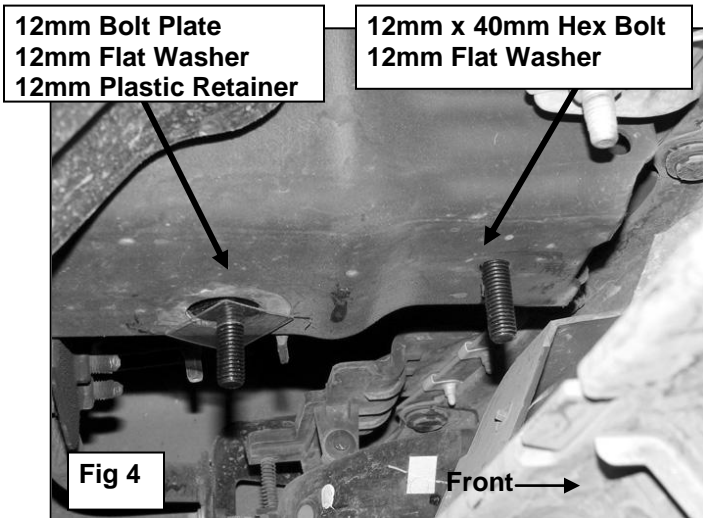
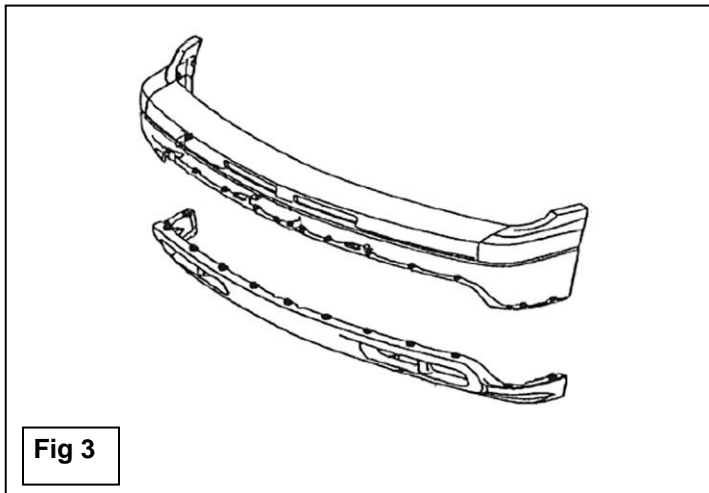
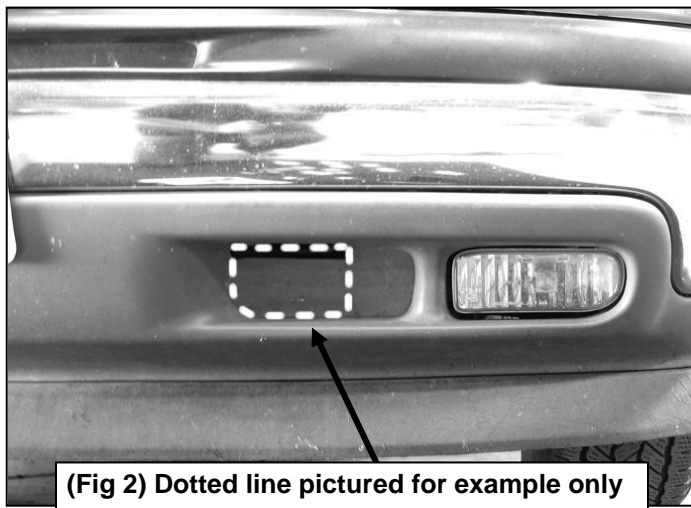
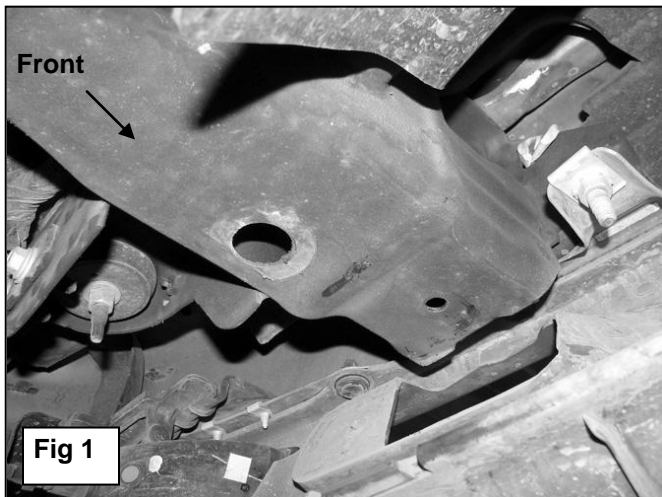
1. **REMOVE CONTENTS FROM BOX. VERIFY ALL PARTS ARE PRESENT. READ INSTRUCTIONS CAREFULLY BEFORE STARTING INSTALLATION. CUTTING IS REQUIRED.**
2. **NOTE:** It may be necessary to remove/relocate front license plate and license plate bracket. It is not required, but strongly recommended. If local/state law requires a license plate, a license plate relocation kit is available.
3. Start installation from under the front of the vehicle. Remove the factory tow hooks, (if equipped), from the ends of the frame channel, **(Figure 1)**. **NOTE:** This Bull Bar is not compatible with tow hooks.
4. Select the driver side Mounting Bracket. Hold the Bracket up in the mounting location and determine area to cut from plastic bumper, **(Figure 2)**. **NOTE:** It may be easier-safer to remove the lower bumper cover and move it to a clean, stable work surface for cutting, **(Figure 3)**. Cut out openings for brackets. **IMPORTANT:** Remove only enough material to clear the Mounting Brackets.
5. Insert (1) 12mm Bolt Plate with (1) 12mm Flat Washer into the open end of the frame channel and out the rearmost hole in the bottom of the frame, **(Figure 4)**.
6. Select the driver side Mounting Bracket. Line up the rear hole in the Mounting Bracket with the Bolt Plate. Secure the Bracket to the Bolt Plate with (1) 12mm Flat Washer, (1) 12mm Lock Washer and (1) 12mm Hex Nut. Insert (1) 12mm Hex Bolt with (1) 12mm Flat Washer into the open end of the frame and down through the forward hole in the frame and Bracket. Secure with (1) 12mm Flat Washer, (1) 12mm Lock Washer and (1) 12mm Hex Nut. Do not tighten hardware at this time, **(Figures 5 & 6)**.
7. Repeat **Steps 4 – 6** for Passenger Side Mounting Bracket installation.
8. With assistance, position the Bull Bar up to the inside of the Mounting Brackets. Bolt the Bull Bar to the Mounting Brackets using (4) 10mm x 35mm Hex Bolts, (8) 10mm Flat Washers, (4) 10mm Lock Washers and (4) 10mm Hex Nuts, **(Figures 7 & 8)**.
 - a. **1999-2002** Model Years: Push the Bull Bar all of the way in and line up the middle and forward holes with the (2) slots in the Brackets.
 - b. **2003-2006, 2007 "Classic"**: Line up the center and rear mounting holes on the Bull Bar with the (2) slots in the Brackets.
9. Align and adjust the Bull Bar and tighten all hardware.
10. Do periodic inspections to the installation to make sure that all hardware is secure and tight.

To protect your investment, wax this product after installing. Regular waxing is recommended to add a protective layer over the finish. Do not use any type of polish or wax that may contain abrasives that could damage the finish.

For stainless steel: Aluminum polish may be used to polish small scratches and scuffs on the finish. Mild soap may be used also to clean the Bull Bar.

For gloss black finishes: Mild soap may be used to clean the Bull Bar.

VGUBG-0950SS 3" BULL BAR
99-06, 07 "CLASSIC" CHEVY SILVERADO1500/GMC SIERRA1500
02-06 AVALANCHE 1500, 00-06 SUBURBAN 1500, 00-06 TAHOE1500/YUKON 1500
Driver Side Installation Pictured



VGUBG-0950SS 3" BULL BAR
99-06, 07 "CLASSIC" CHEVY SILVERADO1500/GMC SIERRA1500
02-06 AVALANCHE 1500, 00-06 SUBURBAN 1500, 00-06 TAHOE1500/YUKON 1500
Driver Side Installation Pictured



Fig 7

- (2) 10mm x 35mm Hex Bolts
- (4) 10mm Flat Washers
- (2) 10mm Lock Washers
- (2) 10mm Hex Nuts



Complete Installation

