

INSTALLATION INSTRUCTION

#0453/0665

Bull Bar or Sport Bar
06-18 Toyota RAV4 , 15-20 Lexus NX200T NX300H



TAKE NOTE:

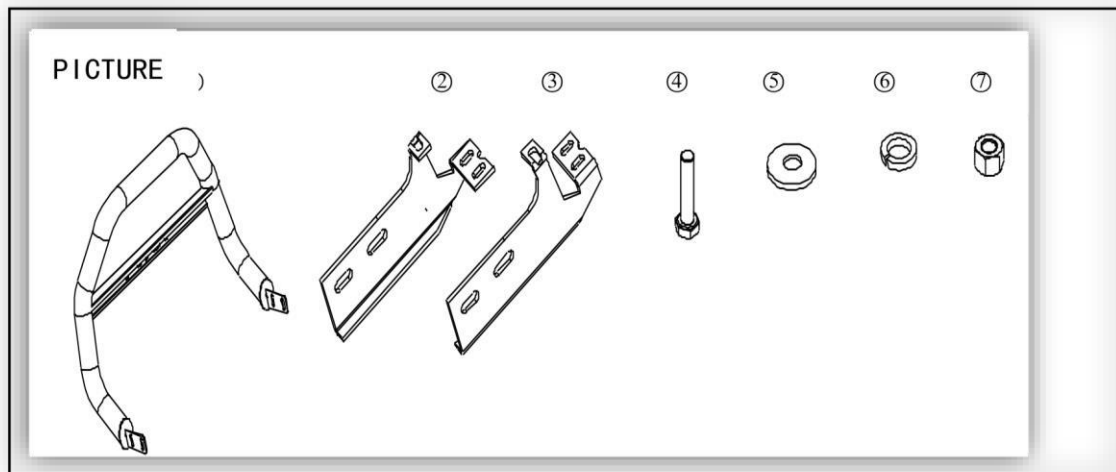
- 1) PICTURES HERE ARE ONLY FOR REFERENCE. THE PRODUCT YOU GET MAY BE DIFFERENT FROM THE PICTURE. BUT THE INSTALLING WAY IS THE SAME.
- 2) PLEASE LOOK THROUGH THIS LIST BEFORE INSTALLATION. PLEASE PROTECT YOUR VEHICLE WELL TO AVOID SCRATCHING.
- 3) PLEASE CHECK THE GRILL GUARD TO MAKE SURE THE HARDWARE IS TIGHTENED AND PLEASE CLEAN IT FOR KEEPING SHINNING.

SPECIALITY:

- 1) THOUGHTFUL DESIGN FOR MATCHING YOUR VEHICLE PROPERLY TO SHOW YOUR PERSONALITY.
- 2) NO DRILLING AND EASY INSTALLATION.

SPARE PARTS

NO.	DESCRIPTION	QUANTITY	MEASURE	NO.	DESCRIPTION	QUANTITY	MEASURE
①	GRILL GUARD	1		⑤	FLAT WASHER	8	12mm
②	BRACKET L	1		⑥	SPRING WASHER	4	12mm
③	BRACKET R	1		⑦	HEX NUT	4	M12
④	HEX BOLT	4	M12X35				



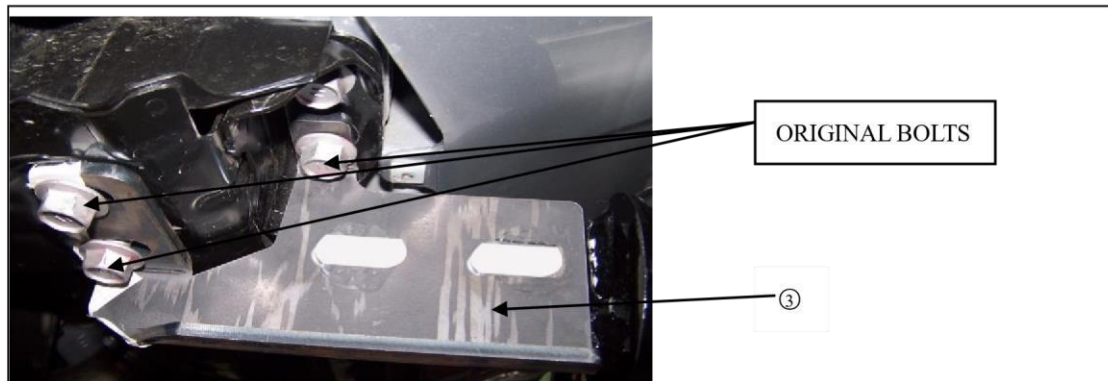
TOOLS:TOW 19mm WRENCH.

INSTALLING STEP

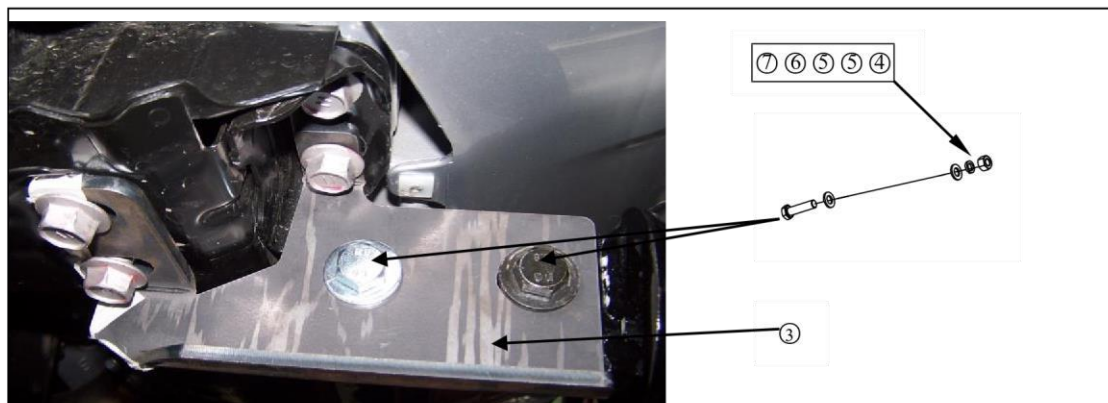
STEP ONE: REFER TO THE SPARE PARTS LIST AND DISTINGUISH THE LEFT AND RIGHT BRACKET. MAKE SURE PARTS ARE OK.

STEP TWO: INSTALL THE BRACKET AS BELOW.

- 1、 REMOVE THE FRONT SKID PLATE. THEN SEE THE ORIGINAL BOLTS AS BELOW.
- 2、 REMOVE THE ORIGINAL BOLTS, AND INSTALL THE RIGHT BRACKET (SAME INSTALLING WAY FOR THE LEFT BRACKET).



- 3、 INSTALL ① WITH BRACKETS AND TIGHTEN BOLTS. SEE THE PICTURE BELOW.



STEP THREE: MAKE SURE BOLTS ARE TIGHTENED AND THE GRILL GUARD IS FIXING STRONG ENOUGH.

STEP FOUR: FINISH.

NOTE: DAMAGE ARISING FROM INCORRECT INSTALLATION AND USAGE IS OUT OF OUR QUALITY.