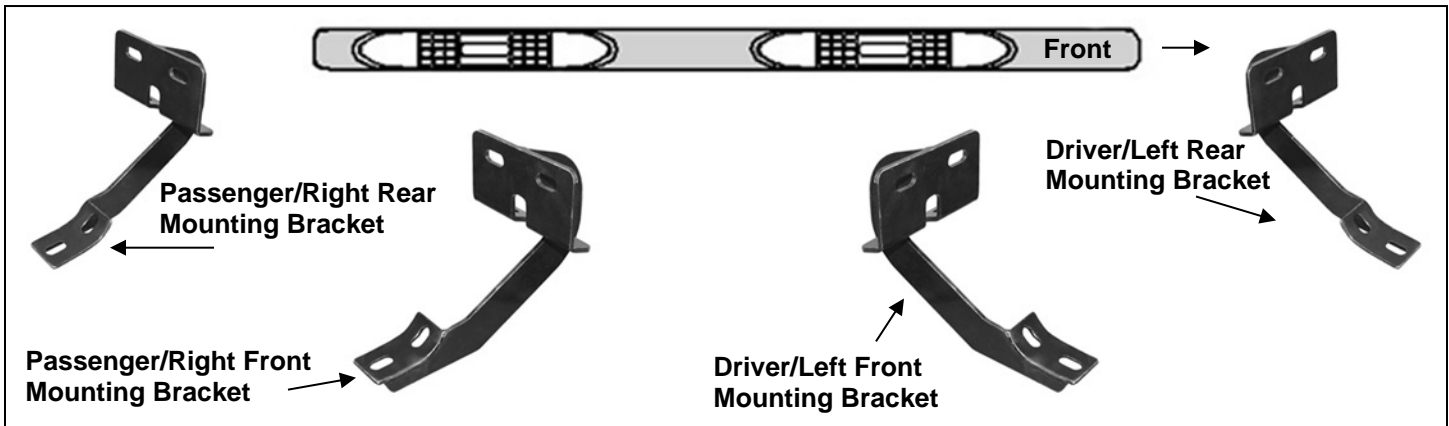




**PARTS LIST:**

1	Driver/Left Side Bar	8	8-1.25mm x 30mm Hex Bolts
1	Passenger/Right Side Bar	8	8-1.25mm x 25mm Hex Bolts
2	Driver/Left Front-Passenger/Right Rear Mounting Brackets	8	8mm x 28mm OD x 3mm Flat Washers
2	Passenger/Right Front- Driver/Left Rear Mounting Brackets	24	8mm x 24mm OD x 2mm Flat Washers
8	8mm Deep Clip Nuts	24	8mm Lock Washers
8	8mm T-Bolts	16	8mm Hex Nuts



**PROCEDURE:**

- 1. REMOVE CONTENTS FROM BOX. VERIFY ALL PARTS ARE PRESENT. READ INSTRUCTIONS CAREFULLY BEFORE STARTING INSTALLATION.**
- Starting on the driver side, front of the vehicle, locate the (2) holes in the pinch weld. Directly above the (2) holes, locate the factory mounting holes in the inner side panel, **(Figure 1)**. **NOTE:** The inner holes may be covered with sealing tape or insulation. Slide the 8mm Clip Nuts into the opening with the nut towards the inside. Line up the threaded nut on the clip with the round holes, **(Figure 1)**.
- Attach the driver side front Bracket to the Clip Nuts with the included (2) 8mm x 30mm Hex Bolts, (2) 8mm Lock Washers and (2) 8mm x 28mm Large Flat Washers, **(Figure 2)**. Depending on model and year, the brake cable may be run on the inside or outside of the Bracket. Do not tighten hardware at this time. **NOTE:** The Cradle on the Front Mounting Bracket should face to the rear of the vehicle.
- Next, bolt the Bracket to the pinch weld using the included (2) 8mm x 25mm Hex Bolts, (4) 8mm STD Flat Washers, (2) 8mm Lock Washers and (2) 8mm Hex Nuts, **(Figure 2)**. **NOTE:** Insert the bolts up from the bottom of the pinch weld and through the Bracket. Tighten Bracket hardware at this time.
- Repeat **Steps 2—4** for Rear Bracket installation. **NOTE:** The cradle on the Rear Mounting Bracket should face forward, **(Figure 3)**. The mounting holes will be the last set at the back of the cab.
- Select the driver Sidebar. Locate the opening in the end of the channels in the bottom of the Sidebar. Slide (2) 8mm T-Bolts into each channel, **(Figure 4)**. Carefully position the Sidebar onto the (2) Mounting Brackets. Lift the Sidebar up and slide the T-Bolts along the sidebar to match up with the Brackets. **IMPORTANT:** Do not slide, (front to back or rotate), the Sidebar on the Brackets or damage to the finish on the Sidebar may result.
- Line up the front of the Sidebar approximately 2" back, (or locate as desired), from the front wheel opening. Attach the Sidebar to the Mounting Brackets with (4) 8mm Flat Washers, (4) 8mm Lock Washers and (4) 8mm Hex Nuts, **(Figure 5)**. Do not tighten hardware at this time.

8. Level and adjust the Sidebar properly and tighten all hardware.
9. Repeat **Steps 2—8** for passenger Sidebar installation.
10. Do periodic inspections to the installation to make sure that all hardware is secure and tight.

**To protect your investment**, wax this product after installing. Regular waxing is recommended to add a protective layer over the finish. Do not use any type of polish or wax that may contain abrasives that could damage the finish.

**For stainless steel:** Aluminum polish may be used to polish small scratches and scuffs on the finish. Mild soap may be used also to clean the Sidebar.

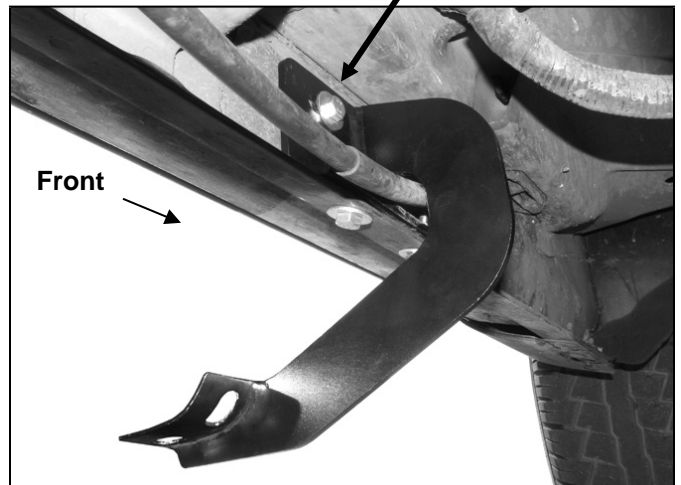
**For gloss black finishes:** Mild soap may be used to clean the Sidebar.

### Driver Side Installation Pictured



8mm Clip Nuts (hole in body panel shown for example only-location and shape may differ slightly)

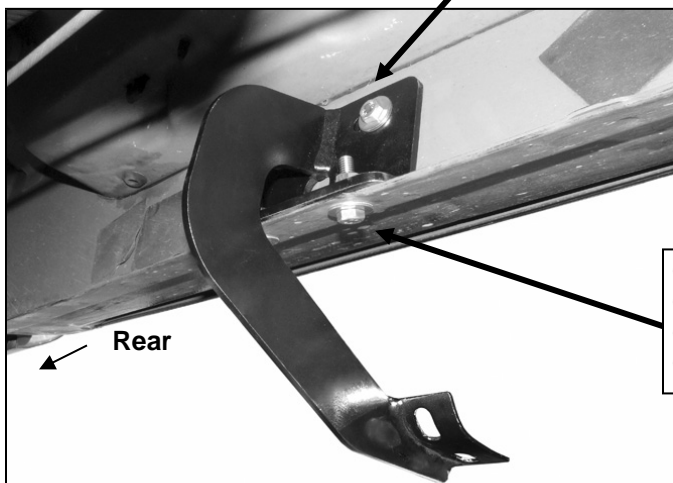
8mm x 30mm Hex Bolts  
8mm Lock Washers  
8mm x 28mm Large Flat Washers



Front

(Fig 2) Driver side-front Mounting Bracket location

8mm x 30mm Hex Bolts  
8mm Lock Washers  
8mm x 28mm Large Flat Washers



Rear

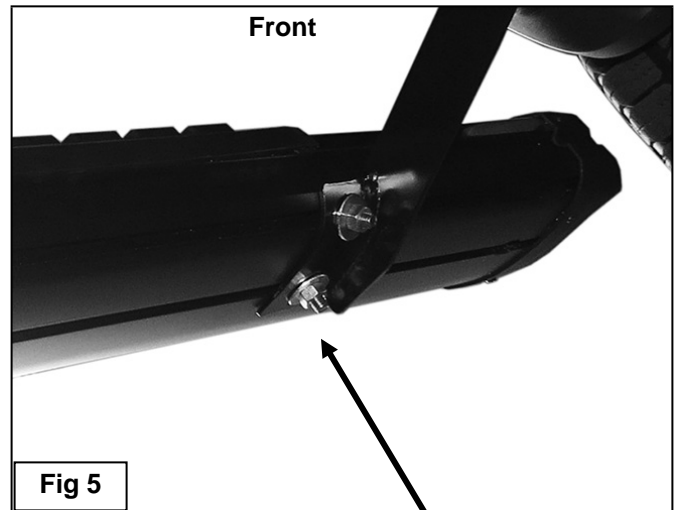
(2) 8mm x 25mm Hex Bolts  
(4) 8mm x 24mm STD Flat Washers  
(2) 8mm Lock Washer  
(2) 8mm Hex Nuts

(Fig 3) Driver side-rear Mounting Bracket location

## Driver Side Installation Pictured



Slide (2) 8mm T-Bolts into each channel in bottom of Sidebar



(2) 8mm x 24mm STD Flat Washers  
(2) 8mm Lock Washer  
(2) 8mm Hex Nuts

