
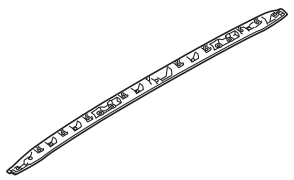


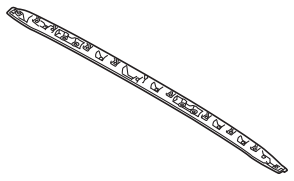
<b>INSTALLATION INSTRUCTIONS</b>	Part Number <b>ROOF RAILS VGRCB-1968AL</b>	Application <b>2014-2019 MDX</b>	
--------------------------------------	---	-------------------------------------	---

**PARTS LIST**

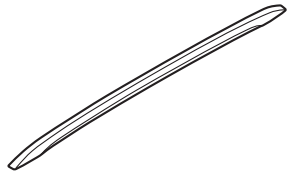
Left roof rail base



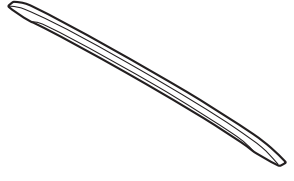
Right roof rail base



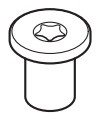
Left roof rail cover



Right roof rail cover



8 TORX nuts



2 TORX screws



6 Flange nuts



**TOOLS AND SUPPLIES REQUIRED**

- Ratchet
- 12 mm Socket
- Torque wrench
- Tape measure
- T-15 and T-40 TORX bit
- Eye protection (face shield, safety goggles, etc.)
- File
- Drill
- 3 mm, 6 mm, 8 mm, and 10 mm Drill bits
- Needle nose pliers
- Felt-tip pen
- Pushpin

*The following tools are available through the Honda Tool and Equipment Program. On the iN, click on: Service > Service Bay > Tool and Equipment Program, then enter the number under "Search". Or, call 888-424-6857.*

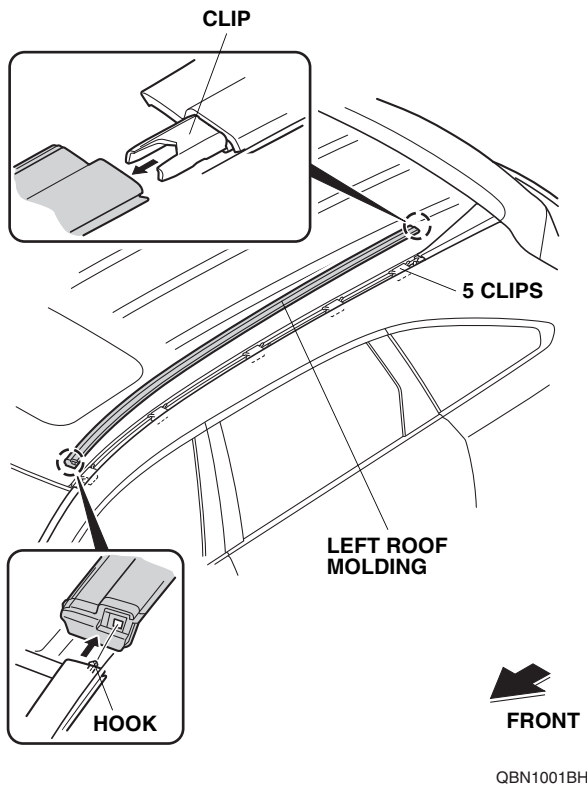
- Trim Tool Set (T/N SOJATP2014)
- Air Saw (T/N AT192A)

## INSTALLATION

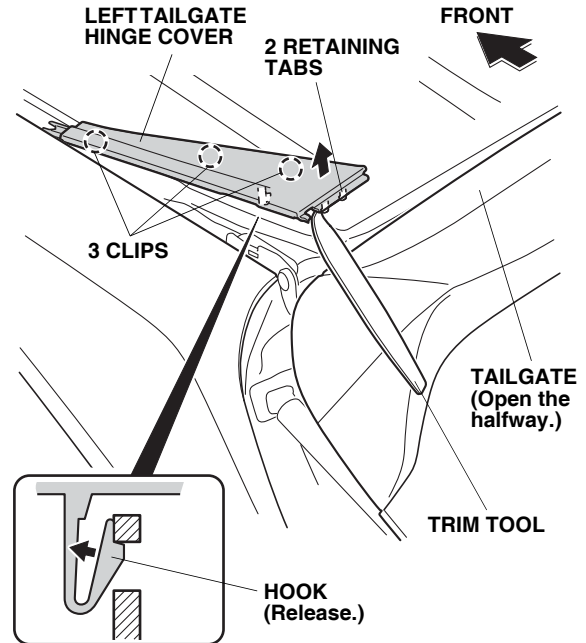
**Client Information:** The information in this installation instruction is intended for use only by skilled technicians who have the proper tools, equipment, and training to correctly and safely add equipment to your vehicle. These procedures should not be attempted by “do-it-yourselfers.”

**NOTE:** Be extremely careful not to damage the roof and other finished surfaces of the body when installing the roof rails.

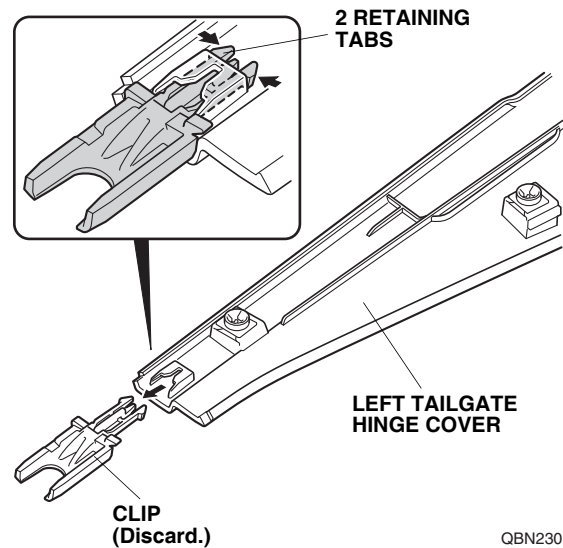
1. Remove the left roof molding (one hook and six clips).



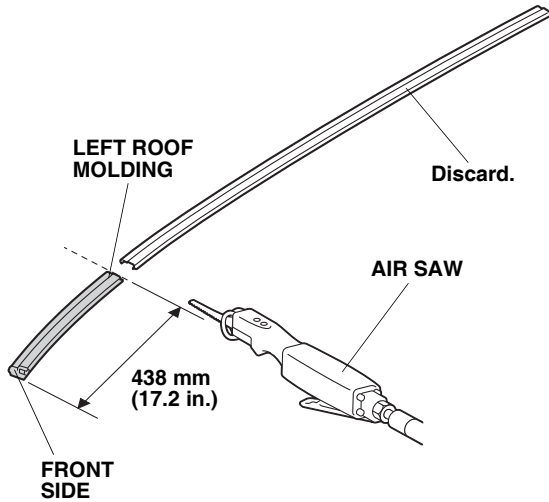
2. Open the tailgate halfway. Using a trim tool, gently pry up on the rear edge of the left tailgate hinge cover (two retaining tabs, three clips, and release the hook).



3. Remove the clip from the left tailgate hinge cover. Discard the clip, it will not be reused.

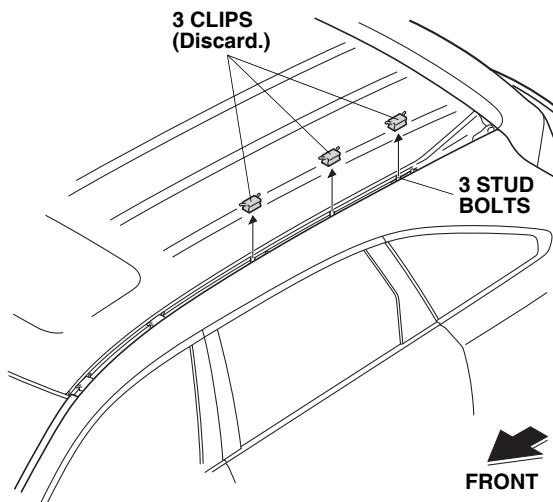


- While wearing eye protection, use an air saw to cut the left roof molding at measurement shown.



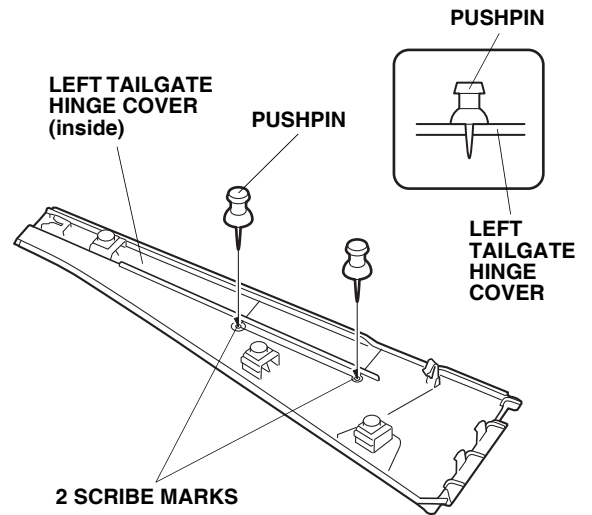
QBN1004BH

- Remove the three clips from each stud bolt on the roof.



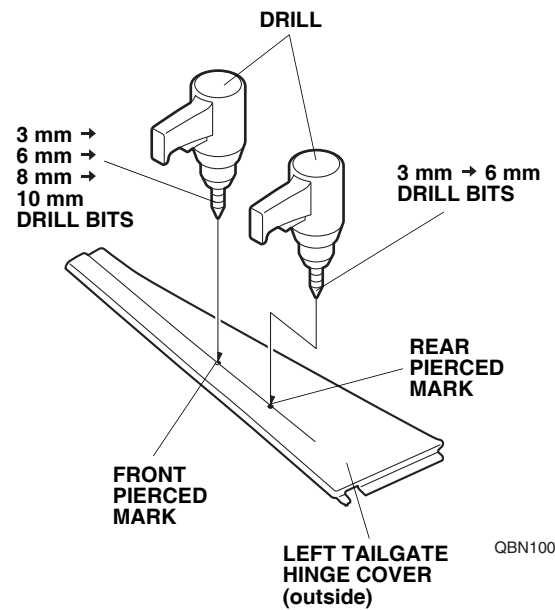
QBN2302BH

- On the inside of the left tailgate hinge cover, locate two scribe marks. Using a pushpin, piece the left tailgate hinge cover at each scribe mark.



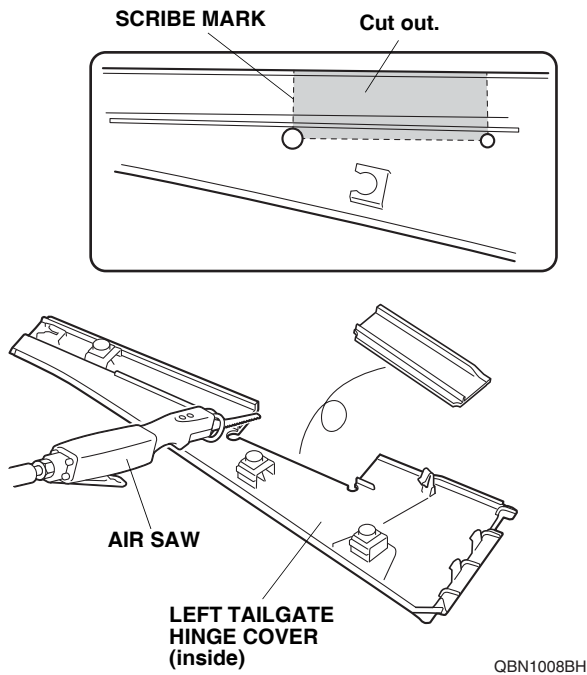
QBN1005BH

- While wearing eye protection, drill two pierced marks to 6 mm and 10 mm.
  - First drill the rear pierced mark with a 3 mm drill bit, and finish with a 6 mm drill bit.
  - Drill the front pierced mark with a 3 mm drill bit, with a 6 mm drill bit, then with an 8 mm drill bit, and finish with a 10 mm drill bit.



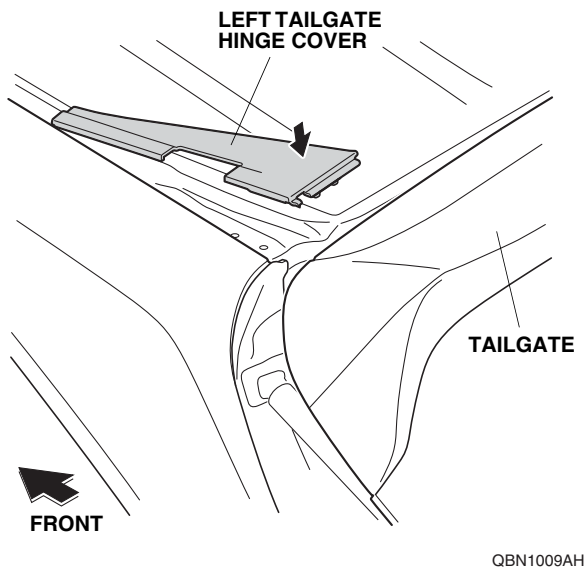
QBN1006AH

8. While wearing eye protection, use an air saw to cut the left tailgate hinge cover between the two holes.

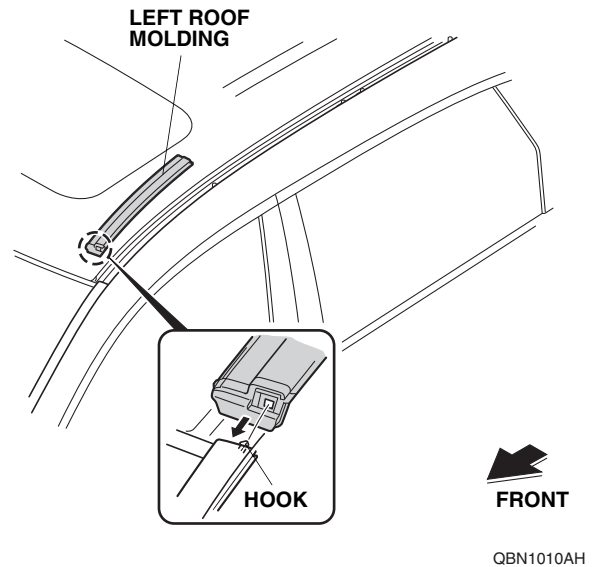


9. Remove all burrs.

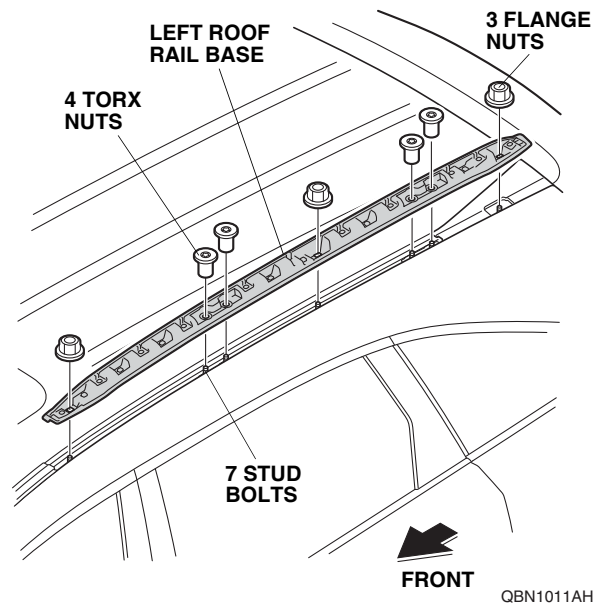
10. Reinstall the left tailgate hinge cover.



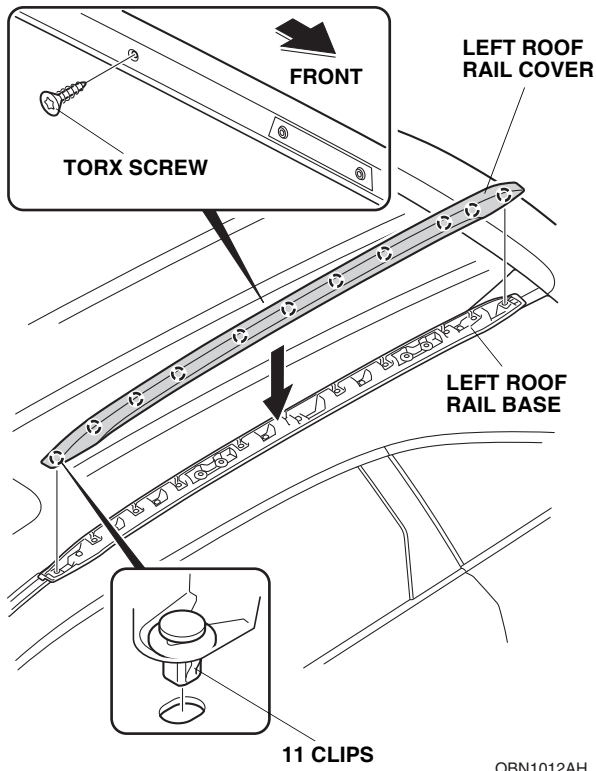
11. Reinstall the left roof molding back onto the roof of the vehicle as shown.



12. Install the left roof rail base with four TORX nuts and three flange nuts provided. Make sure the roof rail base is installed in the correct position. Torque the TORX nuts to 11.8 - 14.7 N·m (1.2 - 1.5 kgf·m, 8.7 - 10.8 lbf·ft). Torque the flange nuts to 11.8 - 15.7 N·m (1.2 - 1.6 kgf·m, 8.7 - 11.6 lbf·ft).



13. Install the left roof rail cover to the left roof rail base with 11 clips from the cover.



14. Secure the left roof rail cover to the left roof rail base with one TORX screw.  
Torque the TORX screw to 2.9 - 4.9 N·m  
(0.3 - 0.5 kgf·m, 2.1 - 3.6 lbf·ft).
15. Repeat steps 1 through 14 to install the right roof rail on the right side of the vehicle.