

INSTALLATION INSTRUCTIONS



PART# VGRB-1974BK
VGRB-1975BK

DESCRIPTION: RAVEN BED BAR

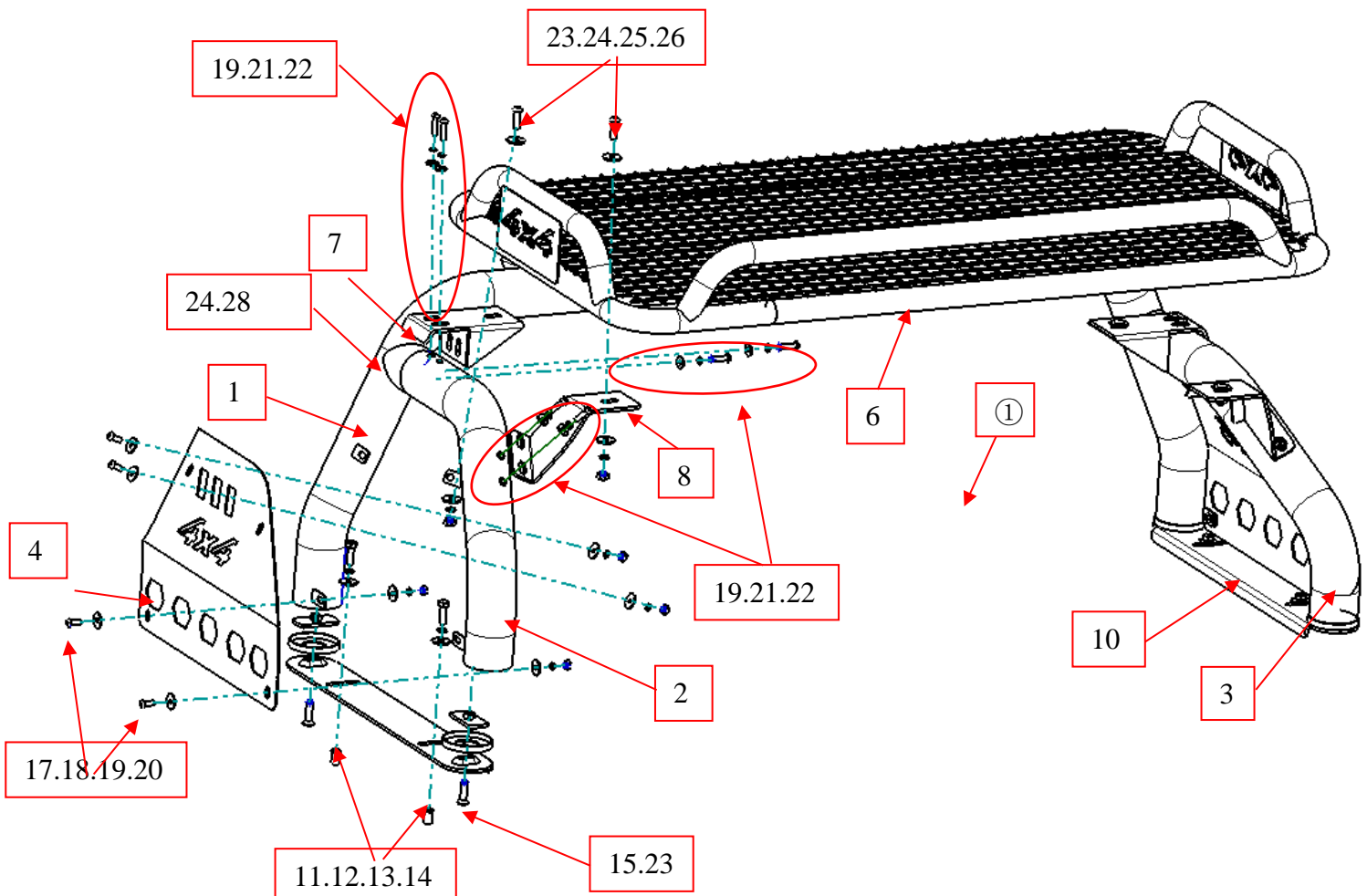
- Please read this guide before installation. Make sure you have observed proper protective measures to prevent harm to yourself or your vehicle.
- You may need to periodically to re-tighten all hardware for safety use after installation.

Installation pictures are only for your reference, there may be some slight differences in appearance, but nothing that may affect fitment.

PART LIST

NO.	NAME	QTY	REMARK	NO.	NAME	QTY	REMARK
1	Main pipe	1		15	Hex wrench	1	S=5
2	Side bend pipe (left)	1		16	Hex wrench	1	S=6
3	Side bend pipe (right)	1		17	Hex flat head bolt	8	M8x20
4	Side board (left)	1		18	Large washer	28	Φ8*25*2.0
5	Side board (right)	1		19	Spring washer	20	Φ8
6	Luggage box	1		20	Hex nut	8	M8
7	Connecting bracket1	2		21	Hex socket head screw	12	M8x30
8	Connecting bracket2 (left)	1		22	Hex socket head screw	4	M10x30
9	Connecting bracket2 (right)	1		23	large washer	12	Φ10*30*2.5
10	Support base	2		24	large washer	2	Φ10*20*2.5
11	Hex bolt	6	M10x30	25	Spring washer	10	Φ10
12	Large washer	6	φ10*30*2.5	26	Hex nut	4	M10
13	Spring washer	6	Φ10	27	Large washer	4	φ16*35*3.0
14	Flat head nut	6	M10	28	Hex socket head screw	2	M10x40
15	Hex bolt	4	M10x35				

INSTALLATION PICTURES



Step 1: Refer to the Part List to check if all hardware is included.

Step 2: As shown in the figure, according to the corresponding standard parts in different drawings, the side standard board and the front and rear mains are locked and installed. (Figure 1) Then screw the bottom plate and the installed front and rear mains, and tighten them with the M8x20 hex flat head screws. (Figure 2)

Step 3: First drill Φ10.2 hole, then put on M8 flat head rivet nut, use M8x35 hex head bolt to tighten bottom plate, and use M8x35 hex flat head screw to tighten the side handle.

Step 4: Tighten brackets 1 and 2 with M8x30 hex flat head screws (Figure 3)

Step 5: Place the luggage frame on the anti-flip and support plate, and install it with the M8x30 hex flat head screw. After adjusting the position, lock it (Figure 4).

Step 6: Check if all hardware is attached and then tighten up all bolts to complete the installation.

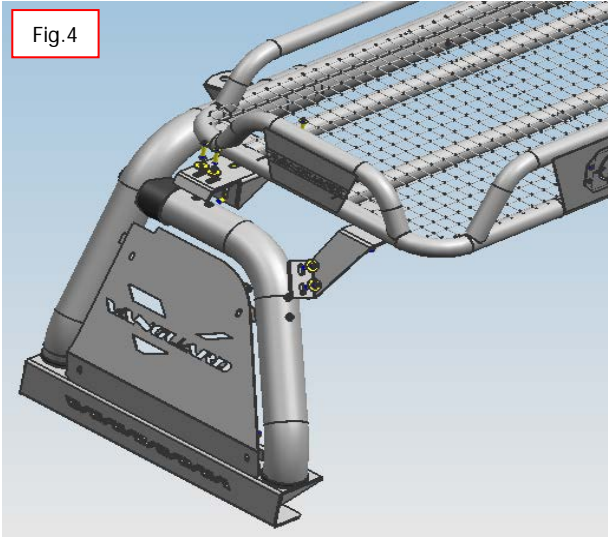
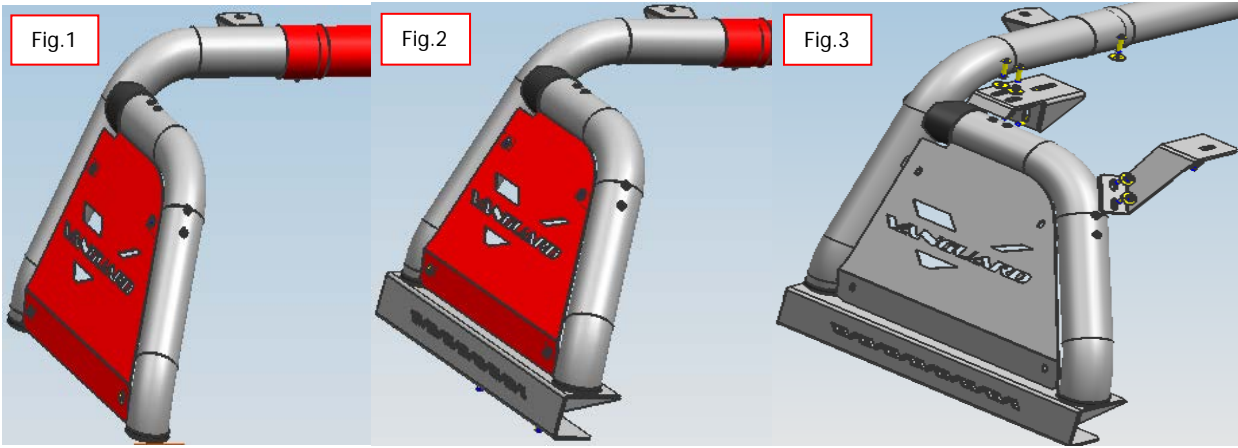
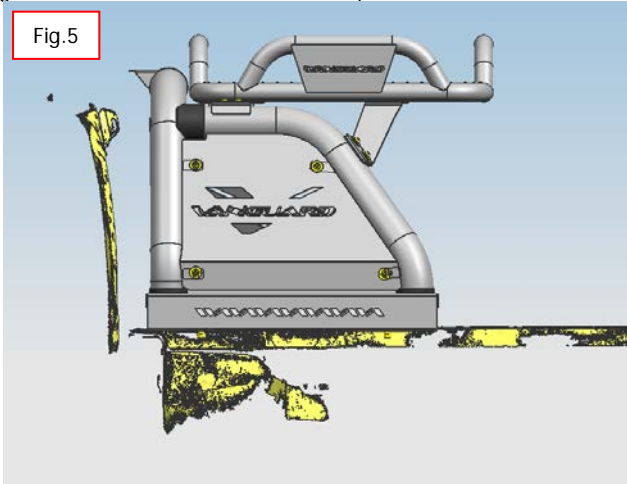


Figure 5: The final installation effect as pictured below:



Disclaimer: Any damage caused by improper installation or handling is outside of warranty.