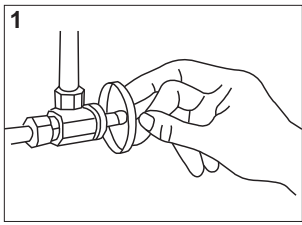




*Making Water Work Beautifully*



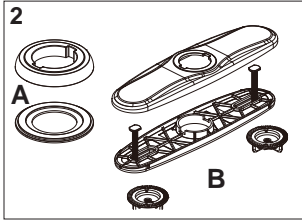
**Single Handle Kitchen Faucets**



## INSTALLATION:

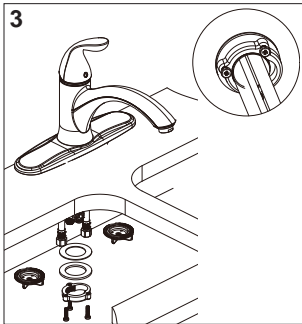
### 1. SHUT OFF SUPPLY

Shut off hot and cold water supply lines. Remove old faucet, clear sink ledge of all debris.



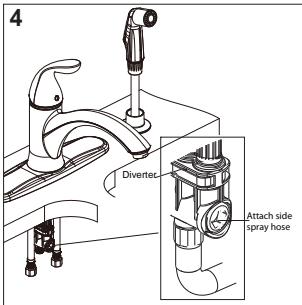
### 2. PREPARE FOR INSTALLATION

Slide 1 hole (A) or 3 hole (B) mount flange onto threaded underbody. For 3 hole installation, Drop screws through bottom plate and slide bottom plate into place. Plumber's putty is not required.



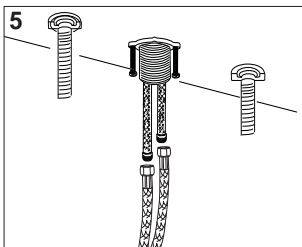
### 3. INSTALL FAUCET

Install the faucet onto your sink by placing the flexible water supply lines and spout hoses through the center hole. Position faucet on sink making sure the body and handle are centered. Under the sink, thread the plastic nuts onto screws (3 hole mount only). Hand tighten until snug. Slide rubber washer then brass washer onto threaded underbody. Thread mounting nut onto underbody. Hand tighten. Tighten screws on mounting nut using a screw driver



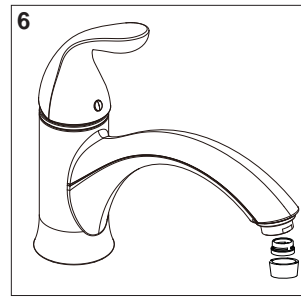
### 4. INSTALL AND ATTACH SIDE SPRAY (SIDE SPRAY MODELS ONLY)

Insert the hose guide and secure with washer and locknut. Thread the side spray assembly through the hose guide. Connect the side spray hose to the diverter.



### 5. CONNECT WATER SUPPLY

Connect existing water supply lines to the faucet supply lines.



### 6. FLUSH LINES

Remove aerator. Turn on water supply to faucet. Flush lines by running both cold and hot water through faucet in full open position for 15-20 seconds. Replace aerator (do not cross thread). Check supply lines for leaks. If aerator ever becomes clogged, repeat flushing.

## OPERATING INSTRUCTIONS

Pulling up on the lever handle causes water to flow out the aerator. Pulling up and to the left dispenses hot water; pulling up and to the right dispenses cold water. Handle positions between full hot and full cold produce varying degrees of warm water. The degree of handle opening determines the volume of water flow. Returning the handle to the center and down position stops the water flow.

## CLEANING TIPS

The finish on your Phoenix faucet is designed to retain its beautiful sheen for years. To maintain the original look of the finish, a little care and caution should be used. We recommend the use of mild soap and water to clean the faucet. **THE USE OF ABRASIVE CLEANERS MAY SCRATCH THE FINISH.**

## CAUTIONS:

All plastic connections should be hand tightened. **DO NOT USE TOOLS.**  
No sealant of any kind should be used between the tailpiece nut and the faucet shank.

## HELPFUL HINTS

Be especially careful when screwing threaded connections together. Do not tighten any connection if the parts are not threading evenly. Unscrew the parts and start over. Unscrew the nut until a click is heard. Then screw the nut on clockwise.

## Limited Lifetime Warranty

Valterra Products, LLC warrants our faucets against defects in material or workmanship for the life of your faucet, ordinary wear and tear excluded. Repair or replacement will be made without charge. Liability for consequential damages under any and all warranties are excluded to the extent such exclusion is permitted by law. Some states do not allow exclusion or limitation and exclusion may not apply to you. This warranty gives you specific legal rights, and you may also have other rights with vary from state to state.