



INSTALLATION MANUAL

UTILITY CHEST BOX

Level of Difficulty

Easy

Parts List

1	Utility chest box
2	Key
1	Mounting hardware kit*

* Not all models include mounting hardware kit. You may need to purchase your own hardware to install this chest box.

Tools Required

Drill	Drill bit, 1/2"
Ratchet	Drill bit, 11/32"
Tape measure	Socket set

Torque Specifications*

	Metric	SAE	
	M6 bolt		3 ft-lbs.
	M8 bolt		7 ft-lbs.
	M10 bolt		16 ft-lbs.
	M12 bolt		28 ft-lbs.
	1/4" bolt		3 ft-lbs.
	5/16" bolt		7 ft-lbs.
	3/8" bolt		16 ft-lbs.
	7/16" bolt		20 ft-lbs.
	1/2" bolt		28 ft-lbs.

* Above specifications are general guidelines. If purchasing hardware use the torque specifications provided with that hardware.

Maintenance

For polished, gloss and other smooth finishes, polish may be used to clear small scratches and scuffs on the finish.

Mild automotive detergent may be used to clean the product. Do not use dish detergent, abrasive cleaners, abrasive pads, wire brushes or other similar products that may damage the finish.

⚠ DANGER

Danger of explosion. Do not use this product for storing or transporting flammables, explosives, hazardous materials or hazardous waste, such as containers of gasoline, solvents, gun powder, dynamite, propane tanks, acetylene tanks and cutting torches.

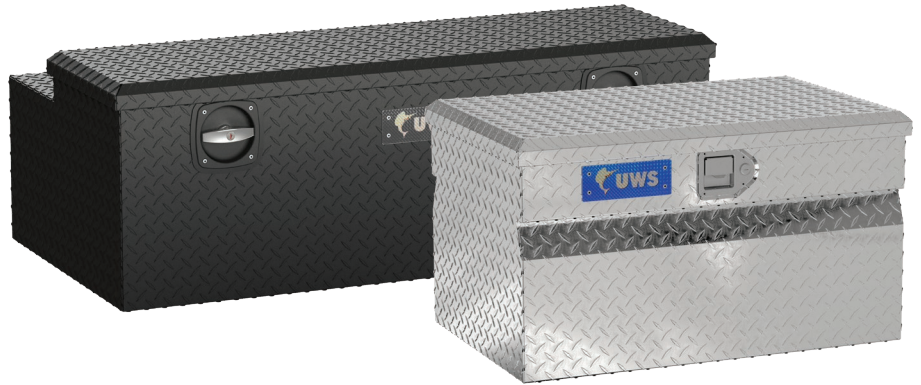
⚠ WARNING

Never exceed the vehicle manufacturer's recommended capacity.

This product can reduce the driver's ability to clearly see roadways, vehicular or pedestrian traffic and other objects through the rear and side windows of the vehicle, which may cause an accident. Extra precaution should be taken when driving a vehicle with this product.

Do not interfere with factory-installed safety equipment.

Representative Product Photos (your specific chest may vary in style, size or finish)



NOTICE

Before you begin installation, read all instructions thoroughly.

Proper tools will improve the quality of installation and reduce the time required.

To help prevent damage to the product or vehicle, refer to the torque specifications when securing hardware during the installation process.

Do not use this product for purposes other than those for which they were designed. Never modify this product.

Consult your dealer if you have any questions regarding the installation, operation, use and limits of this product.

Treat or seal all fasteners and exposed metal in any holes drilled in vehicle to prevent corrosion.

Step 1

Place the chest box into desired location and check for proper lid operation.

In the bottom of the chest box, select two mounting points for securing the box to the truck bed. **Note:** The chosen points should be aligned with the raised ribs in truck bed.



Step 2

WARNING

Before drilling into your truck bed, check under your vehicle to ensure the drill location does not puncture, cut or obstruct any brake or fuel fluid lines, electrical wires, fuel tanks, etc. Precaution must be taken that all fasteners near the fuel tank do not create the possibility of fuel tank puncture or other damage during a collision.

Note: If the truck has a plastic, drop-in bed liner, it may need to be trimmed or cut for proper attachment.

Drill through the chest box and truck bed with an 11/32" drill bit.

If installation hardware was not included with your chest box or was purchased separately, install two 5/16" or M8 bolts, four washers and two lock nuts through the bottom of the chest box and truck bed.

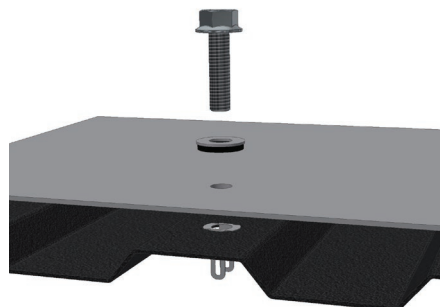
If the mounting hardware kit #003-CBOXMK is being used, enlarge the holes in the truck bed with a 1/2" drill bit and follow the instructions included with the hardware kit.



Step 3

Tighten all fasteners to the recommended torque values shown on the first page of this instruction sheet.

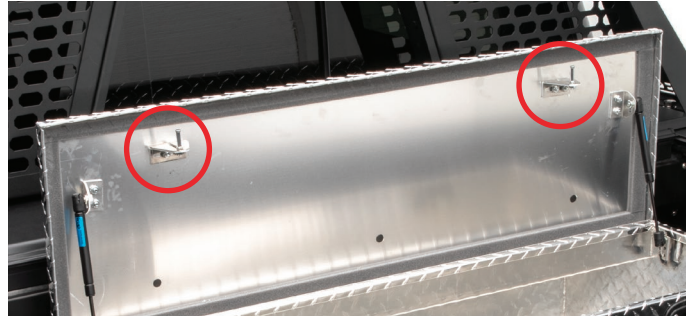
Use a silicone-type caulk as needed to fill in any open areas around bolt flat washer or bonded washer inside chest box to prevent water from seeping into the chest box.



Step 4

Chest boxes come with adjustable strikers. If the strikers are ever out of alignment, simply loosen, adjust and re-tighten.

Periodically lubricate the strikers and locks to ensure optimum performance.



Step 5

CAUTION

Ensure all knobs, bolts, screws, straps and locks are firmly secured before every trip. Periodically re-tighten and inspect all components for signs of wear, corrosion and fatigue.

With the chest box installed, periodic inspections should be performed to ensure all mounting hardware remains tight.

To protect your investment, see the 'Maintenance' section on page 1.

Congratulations on the installation of your new UWS utility chest box.



Under tonneau chest box shown, actual box may vary