



INSTALLATION MANUAL

TRUCK SIDE TOOL BOX

Level of Difficulty

Easy

Parts List*

1	Truck side tool box
2	Key
2	Leg

* Hardware not included. You must purchase your own hardware to install this tool box.

Tools Required

Drill	Drill bit set
Ratchet	Socket set
Tape measure	Level
Square	Marker

Torque Specifications*

	Metric	SAE
M6 bolt	3 ft-lbs.	
M8 bolt	7 ft-lbs.	
M10 bolt	16 ft-lbs.	
M12 bolt	28 ft-lbs.	
1/4" bolt	3 ft-lbs.	
5/16" bolt	7 ft-lbs.	
3/8" bolt	16 ft-lbs.	
7/16" bolt	20 ft-lbs.	
1/2" bolt	28 ft-lbs.	

* Above specifications are general guidelines. If purchasing hardware use the torque specifications provided with that hardware.

Maintenance

For polished, gloss and other smooth finishes, polish may be used to clear small scratches and scuffs on the finish.

Mild automotive detergent may be used to clean the product. Do not use dish detergent, abrasive cleaners, abrasive pads, wire brushes or other similar products that may damage the finish.

⚠ DANGER

Danger of explosion. Do not use this product for storing or transporting flammables, explosives, hazardous materials or hazardous waste, such as containers of gasoline, solvents, gun powder, dynamite, propane tanks, acetylene tanks and cutting torches.

⚠ WARNING

Never exceed the vehicle manufacturer's recommended capacity.

This product can reduce the driver's ability to clearly see roadways, vehicular or pedestrian traffic and other objects through the rear and side windows of the vehicle, which may cause an accident. Extra precaution should be taken when driving a vehicle with this product.

Do not interfere with factory-installed safety equipment.

Representative Product Photos (your specific box may vary in style, size or finish)



NOTICE

Before you begin installation, read all instructions thoroughly.

Proper tools will improve the quality of installation and reduce the time required.

To help prevent damage to the product or vehicle, refer to the torque specifications when securing hardware during the installation process.

Do not use this product for purposes other than those for which they were designed. Never modify this product.

Consult your dealer if you have any questions regarding the installation, operation, use and limits of this product.

Treat or seal all fasteners and exposed metal in any holes drilled in vehicle to prevent corrosion.

Step 1

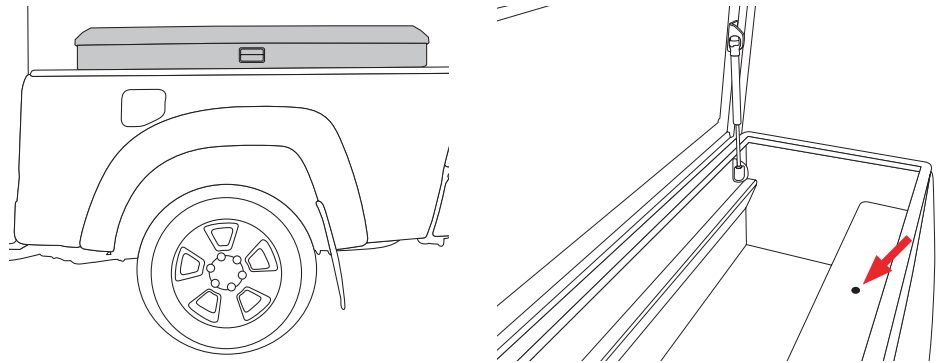
Park the truck on level ground. Place the tool box on the bed rail of the truck with the handles and logo plate facing outward.

WARNING

Before drilling into your truck bed, check under your vehicle to ensure the drill location does not puncture, cut or obstruct any brake or fuel fluid lines, electrical wires, fuel tanks, etc. Precaution must be taken that all fasteners near the fuel tank do not create the possibility of fuel tank puncture or other damage during a collision.

Drill two holes through the tool box and bed rail.
Note: Drill three holes for 72" tool boxes.

Insert a bolt and washer (not included) through the drilled hole. Secure with a washer and lock nut under the bed rail. Tighten all hardware.



Step 2

WARNING

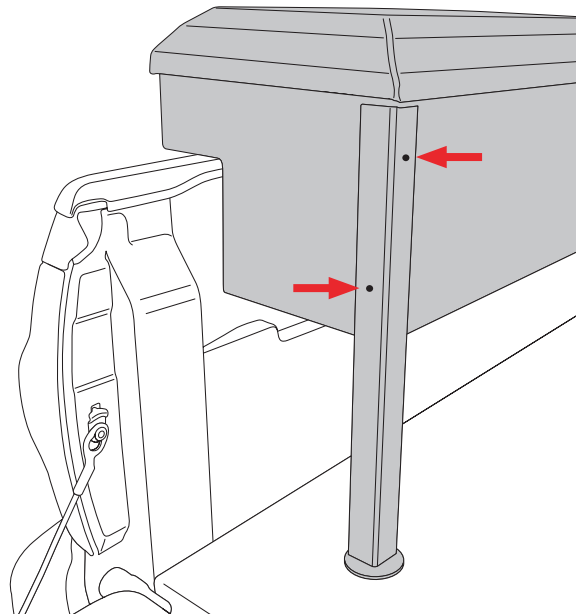
Before drilling into your truck bed, check under your vehicle to ensure the drill location does not puncture, cut or obstruct any brake or fuel fluid lines, electrical wires, fuel tanks, etc. Precaution must be taken that all fasteners near the fuel tank do not create the possibility of fuel tank puncture or other damage during a collision.

Ensure the tool box is level. Place one leg on a corner of the tool box that is not resting on the bed rail. Use a square to ensure the leg is vertical and at the appropriate height so it rests on the truck bed.

Mark two mounting locations to attach the leg to the box as shown. Drill two holes through the leg and tool box corner. Secure the leg with purchased hardware (not included).

Repeat on the other end of the tool box.

Note: For added security, the legs may be bolted to the truck bed.



Step 3

CAUTION

Ensure all knobs, bolts, screws, straps and locks are firmly secured before every trip. Periodically re-tighten and inspect all components for signs of wear, corrosion and fatigue.

With the truck side tool box installed, periodic inspections should be performed to ensure all mounting hardware remains tight.

To protect your investment, see the 'Maintenance' section on page 1.

Congratulations on the installation of your new UWS truck side tool box.

