

True-UV LED Lights



CAUTION!

EMITS ULTRAVIOLET RADIATION!

This light radiates intense ultraviolet (UV) light when operated. Most of the UV light emitted is not visible. Exposure to UV radiation can be harmful to your health.



ALWAYS USE APPROPRIATE EYE PROTECTION (UV BLOCKING GLASSES) WHEN OPERATING LIGHT.

Protect eyes and skin during operation. Do not look directly at the light during operation. Exposure to UV light, even for a brief period can damage your eyes.

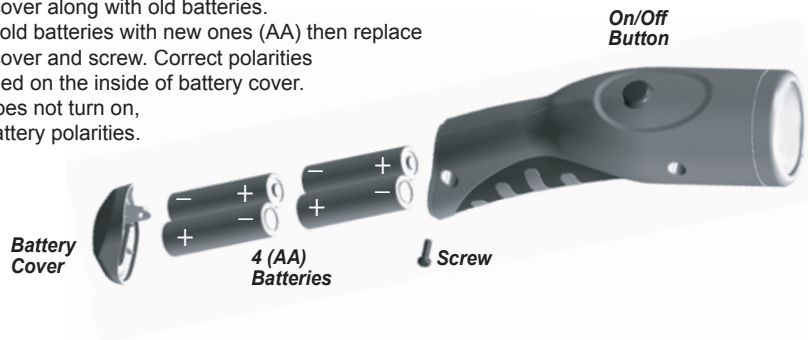
UV-Phazer™ for #332000A

Operating Instructions

Button will act as a momentary switch by pressing to turn on and releasing to turn off.

Changing Batteries

1. Remove screw at the back of the light. Pull out battery cover along with old batteries.
2. Change old batteries with new ones (AA) then replace battery cover and screw. Correct polarities are labeled on the inside of battery cover.
3. If light does not turn on, check battery polarities.



SPOTGUN™ JR. INJECTION SYSTEM

The World's most Popular Injection Method!



SPOTGUN™ JR. INJECTION SYSTEM

SET-UP INJECTION GUN SYSTEM

1. Hold the disposable cartridge in an upright position then remove cap and seal from cartridge.
2. Attach hose (R-134a) to the top of the disposable cartridge then remove drip cap from adapter. (Fig. 1)
3. Push the release lever on the injection gun with your thumb, and pull the rod all the way back. (Fig. 2)
4. Install cartridge into gun assembly. (Fig. 3)
5. Squeeze trigger until piston seats in disposable cartridge.

Now the Injection gun system is ready to be used.

OPERATION (R-134a)

The Injection gun injects the dye into the A/C system without the need to evacuate any refrigerant. To use, proceed with the following steps:

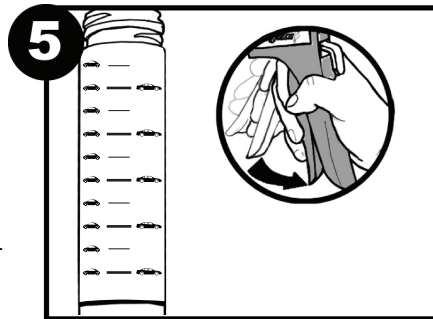
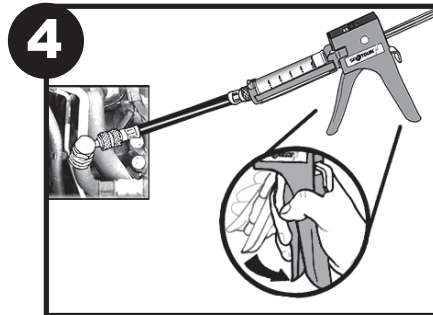
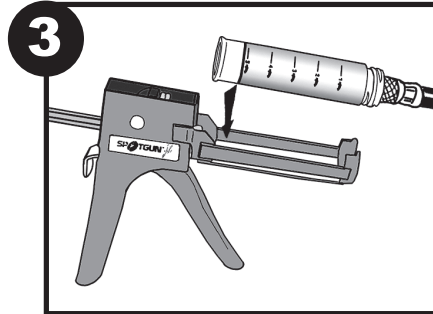
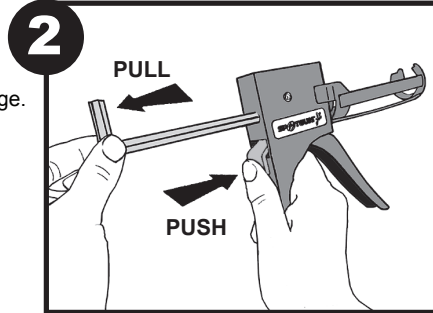
1. Connect injection gun system to the low side port of the A/C system.
2. Inject dye into the A/C system by squeezing the trigger (Fig. 4). See "Dye Dose Chart" below.
3. Disconnect injection gun system from the A/C port.
4. Attach drip cap to the adapter.
5. Install "Dye Service Sticker" in a visible location under the hood.
6. Start the engine and turn on the A/C to maximum for a few minutes. This is to circulate the fluorescent dye in the system.
7. Turn the engine "OFF". Check for leaks using an ultraviolet lamp. Possible leak areas will glow a bright yellow/green when exposed to UV light.

Note: Smaller leaks may require longer circulation time. Let the A/C system run for a few days then reinspect.

Lubricant in the system	Dye dosage	Vehicle Size
Up to 5 fl oz. (150 ml)	1 line on cartridge	Compact
5 to 10 fl oz. (150 - 300 ml)	2 lines on cartridge	Standard
More than 10 fl oz. (300 ml)	3 or more lines (1 additional line/5 fl oz.)	Larger vehicles

R-12 SET-UP

1. Complete all steps in SET-UP procedure.
2. Remove R-12 adapter drip cap and attach to low side port of the A/C system.
3. Attach injection gun system to the R-12 adapter valve.
4. Repeat steps from 2-7 in OPERATION procedure above. (As applicable).



LEAK DETECTION LIGHT INSTRUCTIONS

12V/50W Light



CAUTION!

IMPORTANT INFORMATION!

Continuous operation of UV lamp can produce high temperatures. To prevent this condition and extend bulb life, this model has been designed to produce instant UV light. This feature eliminates the need for continuous operation of lamp. A series of short inspection intervals lasting 2 to 3 minutes in duration is recommended.

- DO NOT EXCEED RECOMMENDED DUTY CYCLE OF 3 MINUTES ON / 2 MINUTES OFF
- NEVER OPERATE LAMP WITHOUT UV SAFETY GLASSES
- DO NOT PLACE LAMP ON OR NEAR FLAMMABLE OR COMBUSTIBLE LIQUID/GASSES
- NEVER TOUCH UV LENS FILTER DURING USE- allow to cool before handling
- DO NOT LOOK DIRECTLY INTO UV LIGHT BEAM

Micro-Lite™ for #333000

Lamp Instructions

1. Attach the lamp to the appropriate power supply.
2. Wear the protective UV enhancing glasses. These glasses will allow you to locate the leak easier by cutting out the visible light.

The UV lamp is now ready for operation.

To operate, depress the momentary switch (located on handle).

The lamp will stay on as long as the switch is depressed.

The lamp will illuminate immediately. It shuts off once you release the switch.



Cordless Leak Detection Lights for 332010 & 332220A

Lamp Instructions

1. Continuous use: Twist the end cap clockwise until the lamp turns on. Turn the end cap in the opposite direction to turn the lamp off.
2. Short-term use: Press and hold the end cap button for instant on.

Battery Replacement

Twist the end cap counterclockwise to open. Replace 3-AA batteries positive end toward lamp head. Replace end cap.

