



2003-2006 Lincoln Navigator • 2003-2006 Ford Expedition



This product is intended to modify your vehicle and replace the existing air controlled suspension components with a passive coil and shock system. The system has been designed and extensively tested to provide the same ride quality and height as the O.E.M. system.



This conversion kit requires the removal of the air spring, which may be under pressure. Proper procedure must be followed to minimize risk of personal injury and product damage.

General Precautions

When servicing any vehicle be sure to follow all safety procedures.

First, make sure that when lifting the vehicle that you are using the appropriate jack for the weight of the vehicle.

Make sure before going underneath any vehicle that it is properly supported with sturdy jack stands and on level ground so that the vehicle doesn't fall or slide off of the jack and onto you.

As with any automotive repair, make sure you have the appropriate tools to do the job so you don't damage any parts on the vehicle. There is a list of tools needed included in these instructions.

Safety glasses and mechanic gloves should also be worn for your protection.

Be sure to follow the instructions in the order that they are given. The instructions are in a certain order for a reason and improper installation could lead to damage to your vehicle or the parts. Keep in mind that if you damage the parts during installation you will be responsible for the replacement parts

Included In This Conversion Kit

4 Wheel Conversion Kit



Minimum Tools Needed For This Installation



Metric Hand Tools (Sockets/Wrenches)



Jack and Jackstands



Screw Drivers (Phillips and Flat Head)

! WARNING

The electrical power to the air suspension system must be shut off prior to hoisting, jacking or towing an air suspension vehicle. This can be accomplished by turning off the air suspension switch located in the LH rear quarter trim panel.

CAUTION

Do not remove an air spring under any circumstances when there is pressure in the air spring. Do not remove any components supporting an air spring without either exhausting the air or providing support for the air spring.

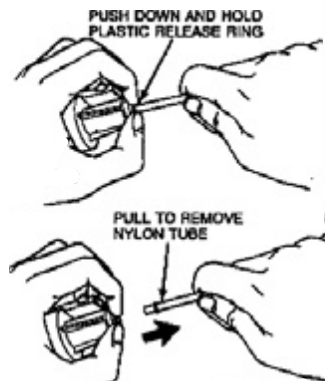
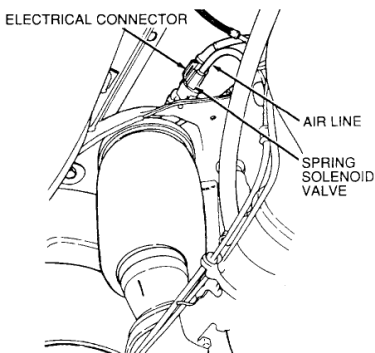
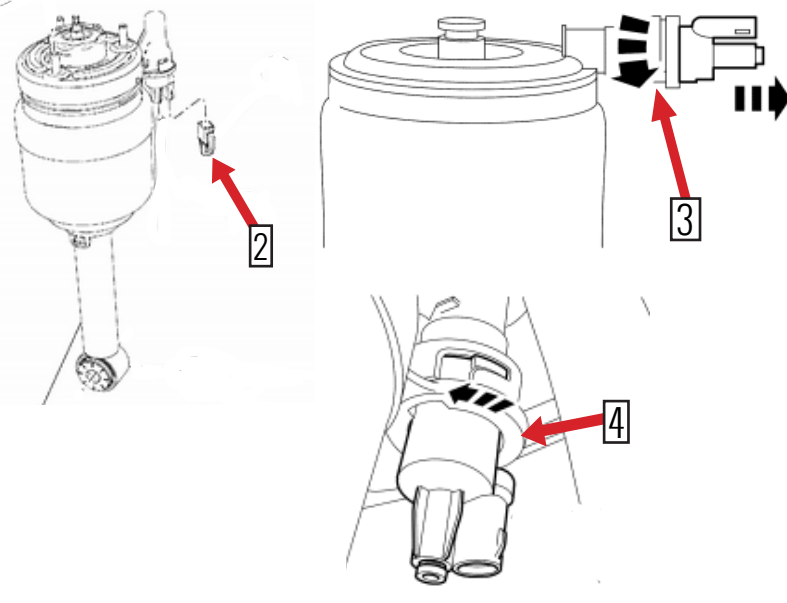
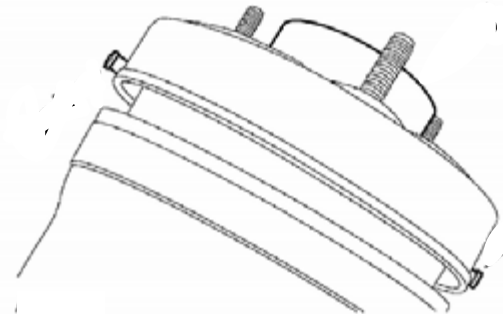
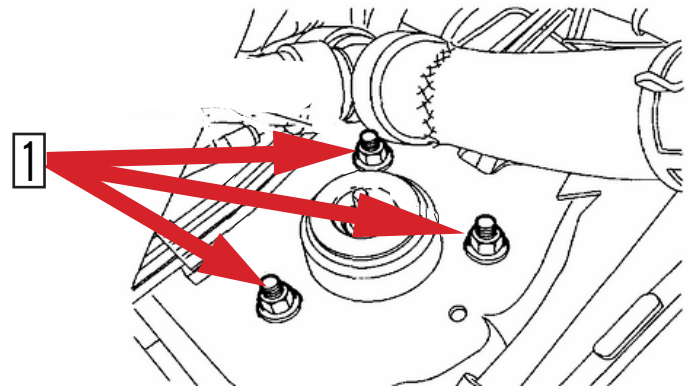
Front

1. Vent the appropriate air spring(s).



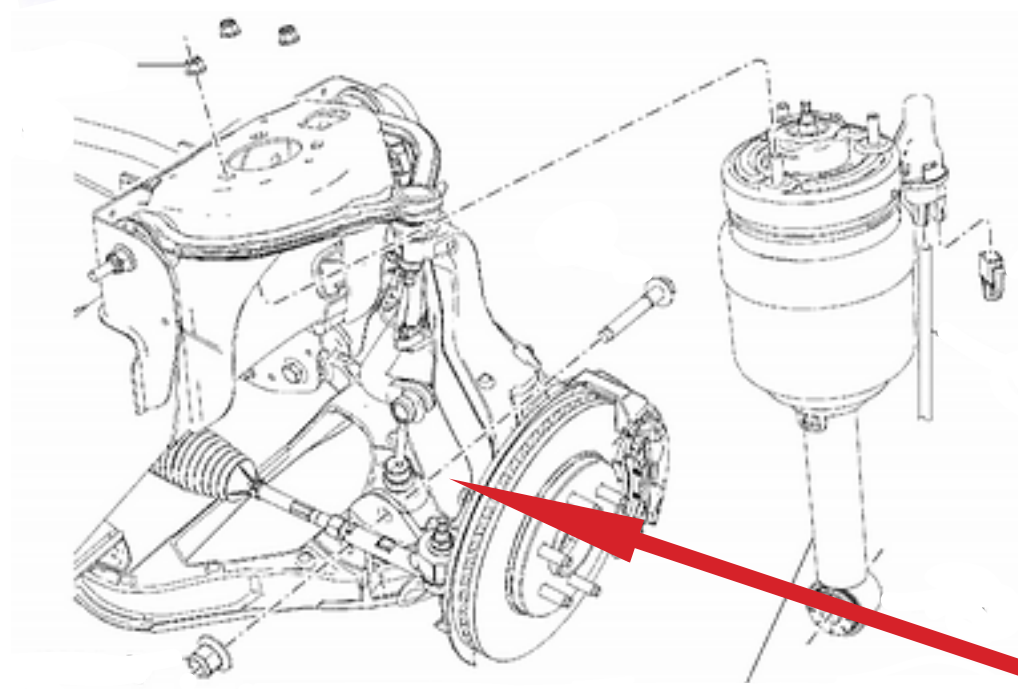
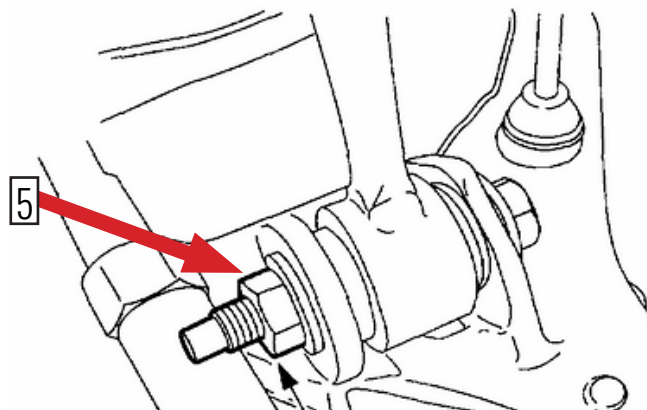
It is extremely important that the airbag be vented before being removed from the vehicle. The airbag is under pressure and may cause injury to you if its removed from the vehicle under pressure. To vent, you must use a scan tool to open the vent on the strut, or cut the airbag to release the pressure. Please note if you cut the airbag to remove the pressure, you will not be able to reuse the airbag.

2. Turn the air suspension switch to the OFF position.
3. Remove the 3 shock upper mounting nuts. (1)
4. With the vehicle in NEUTRAL, jack up and support with jack stands
5. Disconnect the air valve electrical connector. (2)
6. Disconnect the air line at the air valve. (3)
7. Compress the orange quick connect lock ring,
8. Pull downward on the air supply line. (4)



7. Remove the shock lower nut & bolt . (5)

8. Remove the air sprint and strut assembly from the vehicle.



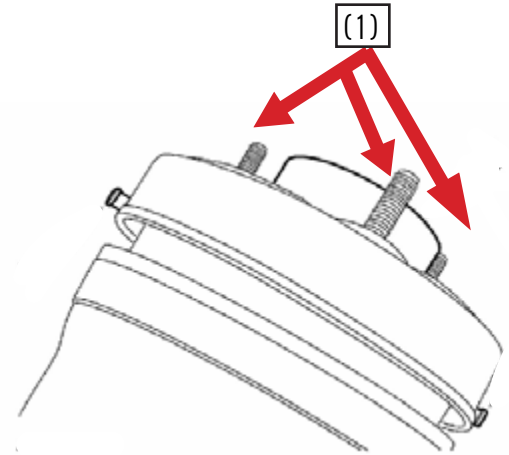
Install the supplied 61380 in place of the removed air spring

Rear

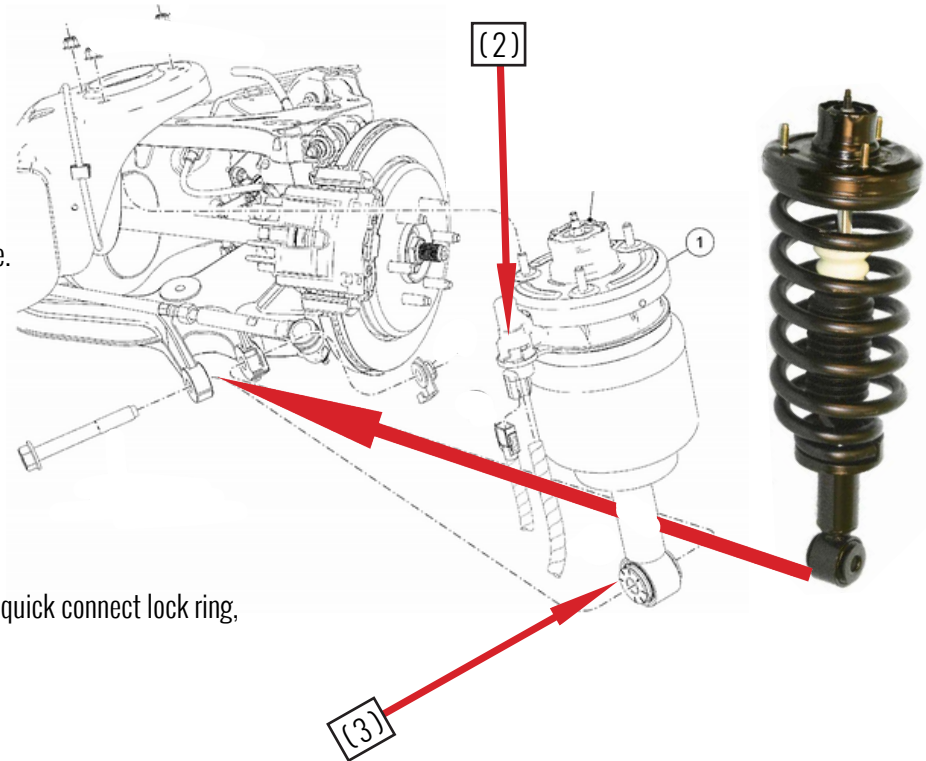
1. Vent the appropriate air spring(s).



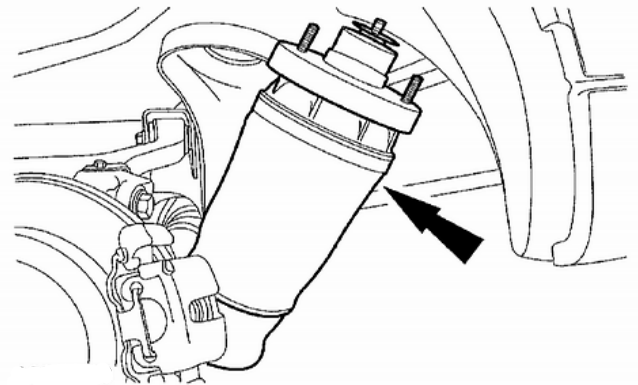
Its extremely important that the airbag be vented before being removed from the vehicle. The airbag is under pressure and may cause injury to you if its removed from the vehicle under pressure. To vent, you must use a scan tool to open the vent on the strut, or cut the airbag to release the pressure. Please note if you cut the airbag to remove the pressure, you will not be able to reuse the airbag.



2. Turn the air suspension switch to the OFF position.
3. With the vehicle in NEUTRAL, jack up and support the vehicle.
4. Remove and discard the 3 shock upper nuts.
5. Disconnect the air valve electrical connector. (2)
6. Disconnect the air line at the air valve. Compress the orange quick connect lock ring, then pull downward on the air supply line.
7. Remove the shock absorber lower nut and bolt (3)

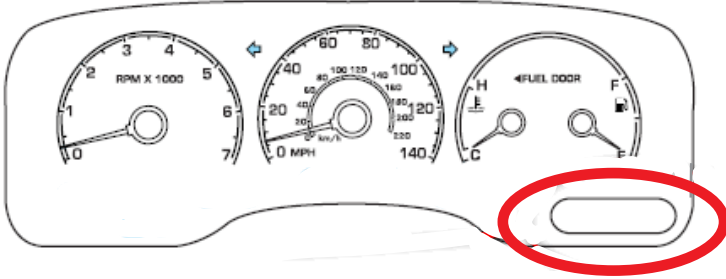


8. Remove the air shock absorber.



Install the supplied 65080 in place of the removed air spring

Check Suspension Light Disable



When you remove the air suspension from your truck, the message center will come with an error to check the air suspension. The only permanent and safe way to remove this light is to have the dealer use their scan tool and tell the computer that the air suspension is no longer installed on the vehicle. Some Navigators do not come with air suspension and the message center is controlled by the same computer in both cars. Your local dealer can do this in literally 2 minutes by hooking up their computer to your truck and setting the suspension to conventional instead of air. This allows you to leave all the air suspension components installed in your truck and not cut or alter any wires nor void any warranty from the factory.

The **ALTERNATIVE** way to turn this light off requires you to remove electrical connections and cut wires in the suspension control unit, which may void your warranty and cause unknown electrical issues unrelated to the suspension control systems.



The following is taken directly from the Lincoln/Ford Electrical Troubleshooting Manual and is the recommended procedure for disabling your suspension control system error light

1. Enter 4WAS active commands and trigger on SAVE CAL (Store Ride Height).
2. Trigger through the NGS warning message. NGS screen will now split with active commands on the LH side of screen and any PIDS selected on the right.
3. Toggle FRONT to "ON", press Cancel.

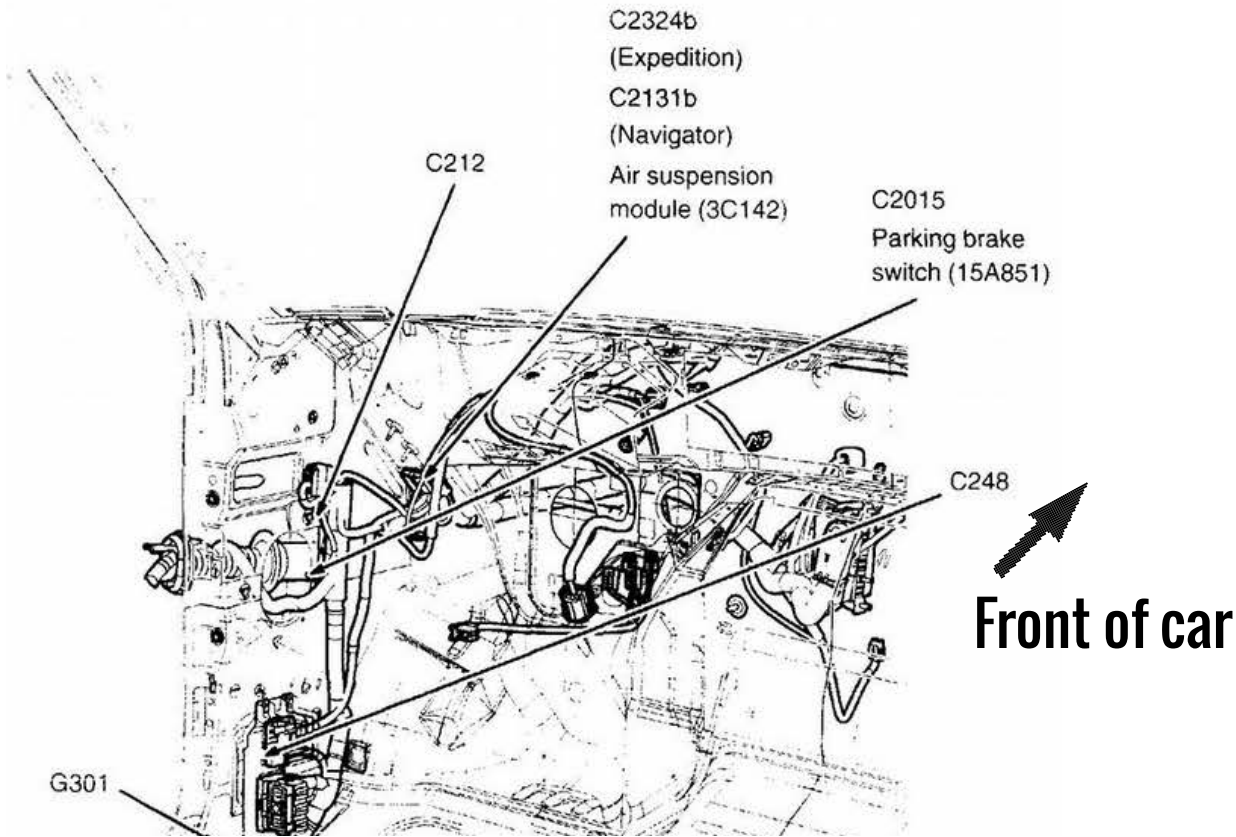
NOTE CANCEL MUST BE SELECTED TO COMPLETE THE OPERATION. DO NOT SAVE OR CLEAR REAR RIDE HEIGHT.

4. Retrieve and clear continuous DTC's; at this point a 2140 code should be present. Press NGS # 7 keypad button located directly underneath the word "CLEAR" on the LCD screen, depress trigger per screen prompt, and wait for message stating "system passed - no DTCs available". Earlier NGS software revision levels may require repeating these steps several times before a system pass message is received.

5. Cancel out of continuous test in Step # 4 after receiving pass code message. Select on-demand self test, trigger, press NGS # 3 keypad button located directly underneath the word "START" on the LCD screen. Note on-screen instructions to prepare vehicle for test/function then trigger to begin the test. You should hear underhood noise from compressor and relays indicating this functional (on-demand) test is in process. As test completes, verify a "system passed" message is received.

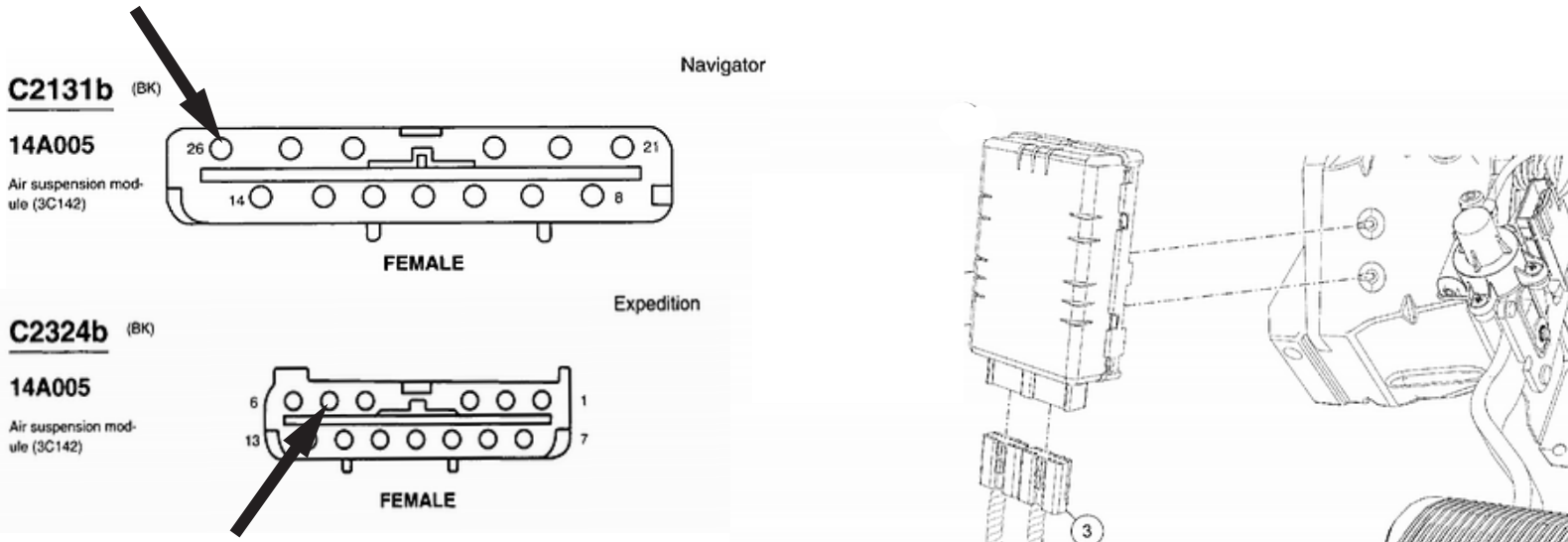
6. Cancel out of on-demand test, remove NGS tester, start vehicle and verify the check suspension indicator remains off.

Alternative Check Suspension Light Disable



Locate the Air Suspension Module

The air suspension control module is mounted to the lower left side of the dash above the parking brake control.



Cut the wire from pin 26 on the Navigator and pin 5 on the Expedition and ground the wire to a chassis ground to turn off the light