



# AIR DITCHER

AIR TO COIL CONVERSION KIT

## 1997-2002 Lincoln Navigator 4WD • 1997-2002 Ford Expedition 4WD



This product is intended to modify your vehicle and replace the existing air controlled suspension components with a passive coil and shock system. The system has been designed and extensively tested to provide the same ride quality and height as the O.E.M. system.



**This conversion kit requires the removal of the air spring, which may be under pressure. Proper procedure must be followed to minimize risk of personal injury and product damage.**

### General Precautions

When servicing any vehicle be sure to follow all safety procedures.

First, make sure that when lifting the vehicle that you are using the appropriate jack for the weight of the vehicle.

Make sure before going underneath any vehicle that it is properly supported with sturdy jack stands and on level ground so that the vehicle doesn't fall or slide off of the jack and onto you.

As with any automotive repair, make sure you have the appropriate tools to do the job so you don't damage any parts on the vehicle. There is a list of tools needed included in these instructions.

Safety glasses and mechanic gloves should also be worn for your protection.

Be sure to follow the instructions in the order that they are given. The instructions are in a certain order for a reason and improper installation could lead to damage to your vehicle or the parts. Keep in mind that if you damage the parts during installation you will be responsible for the replacement parts

### Included In This Conversion Kit



### Minimum Tools Needed For This Installation



Metric Hand Tools (Sockets/Wrenches)



Jack and Jackstands



Screw Drivers (Phillips and Flat Head)

# ! WARNING

The electrical power to the air suspension system must be shut off prior to hoisting, jacking or towing an air suspension vehicle. This can be accomplished by turning off the air suspension switch located in the LH rear quarter trim panel.

# CAUTION

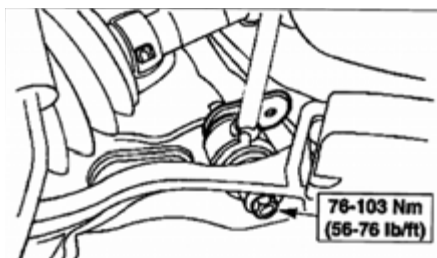
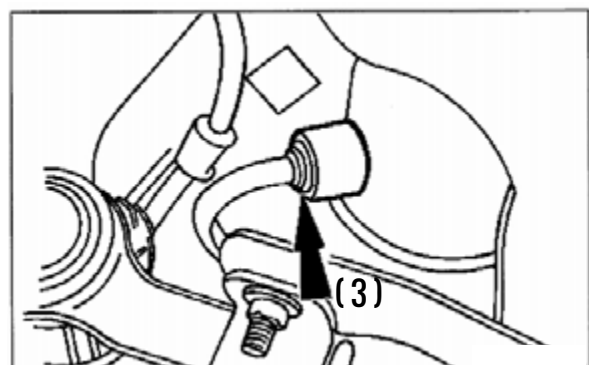
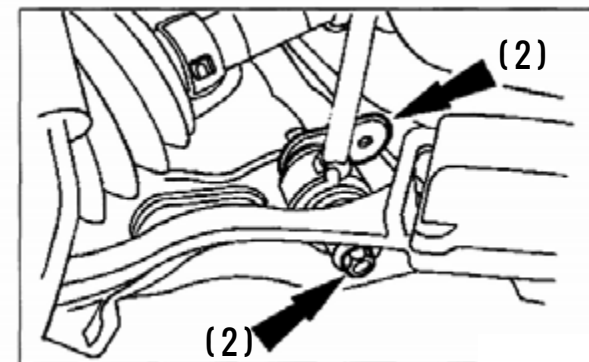
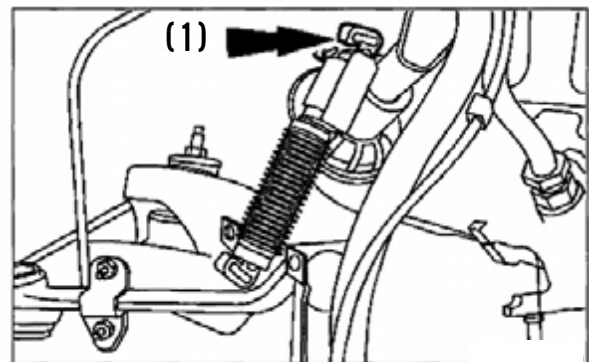
Do not remove an air spring under any circumstances when there is pressure in the air spring. Do not remove any components supporting an air spring without either exhausting the air or providing support for the air spring.

## Front 60001c

NOTE: The vehicle must be positioned on a suitable lifting device prior to deflating the air suspension switch.

1. Deflate the air suspension system.
2. Raise and support the vehicle.
3. On LH air shock removal only, disconnect the top of the front height sensor from the upper frame bracket. ( 1 )
4. Remove the air shock lower nut and bolt ( 2 )
5. Disconnect the air spring solenoid air line.
  - Compress the quick connect locking ring and pull out the air line. ( 3 )
6. Remove the air shock

**INSTALLATION IS THE REVERSE OF REMOVAL**

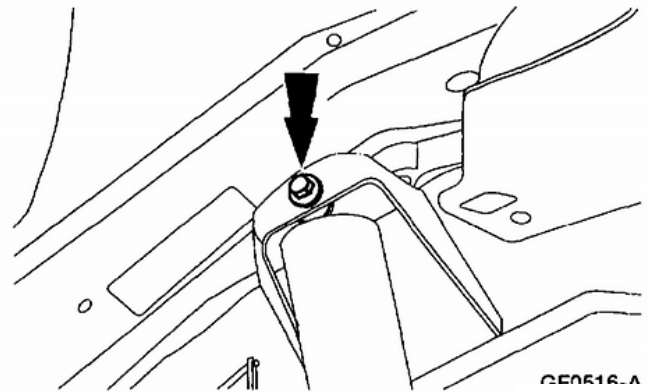
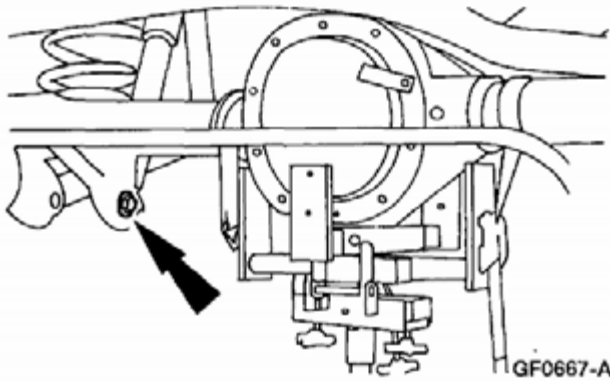
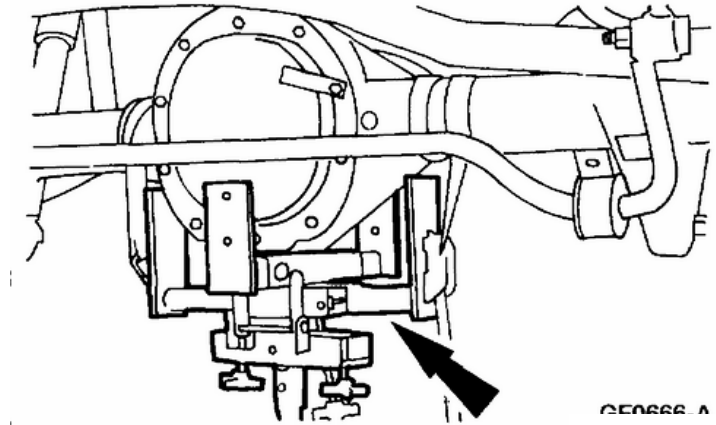


# Rear 65001c

**CAUTION:** Do not use heat to loosen a seized lug nut. Heat can damage the wheel and the wheel bearings.

1. Remove the tire and wheel assembly.
2. Use the Hi-Lift Jack to support the rear axle. Z
3. Remove the upper shock absorber nut and bolt.
4. Remove the shock absorber

Installation is the reverse of removal

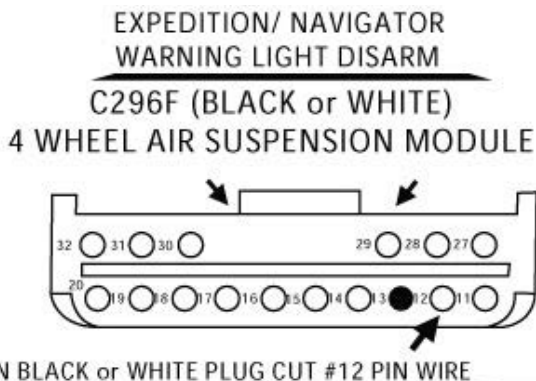


# Check Suspension Light Disable

Turn off the suspension switch and negative ground on the battery.

Remove the center top dash panel and identify the suspension module on top of the radio.

Cut that green wire that you can see on the white plug then secure both ends with electrical tape.



**Cut This Wire**

