



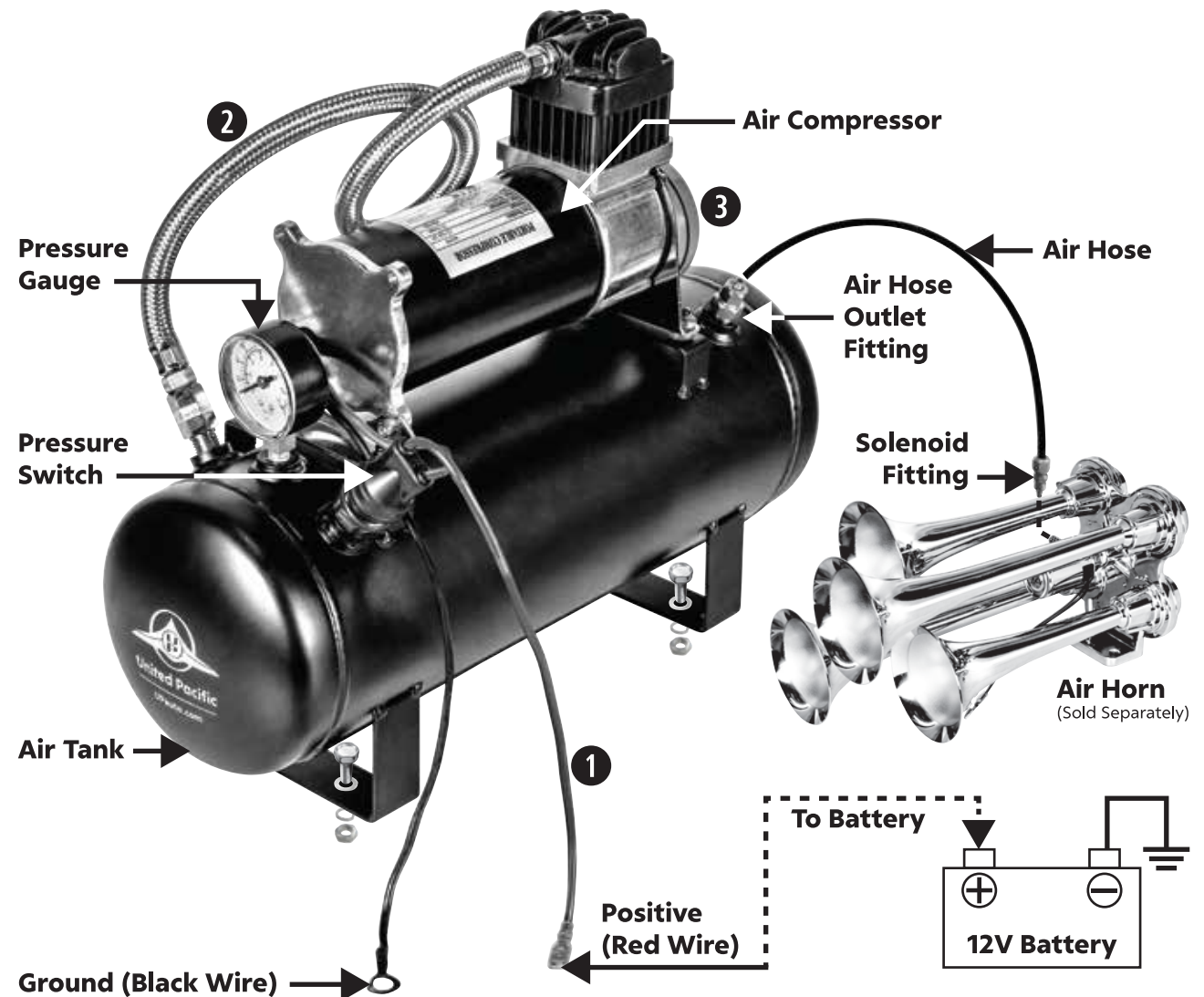
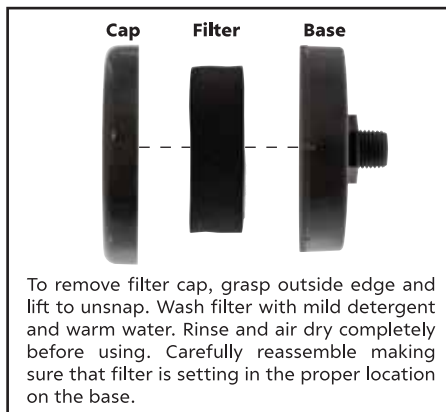
United Pacific

HEAVY DUTY AIR COMPRESSOR & TANK KIT

ITEM # 46154

NOTE:

- 1 The red wires (12 VDC positive) must be connected to the pressure switch terminals. Recommended to connect to battery with an in-line 25 amp circuit breaker (not included).
- 2 Flexible compressor hose allows compressor & tank can be stacked together, or mounted separately to accommodate mounting location space. To prevent air leaks, use teflon tape on all threaded air fitting connections.
- 3 Air filter must be cleaned periodically. Wash with water & mild soap. Allow to dry before re-installing.
Note: Failure to maintain the air filter will void warranty.



071318 V1

Learn more about wheel and tire service tools we have.