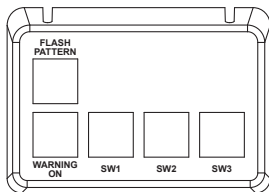


Multi-purpose 5-switches Control Panel

Wiring

- RED** to +VDC
BLACK to -GND
YELLOW Flash Pattern [momentary switch]
WHITE Warning ON [toggle switch]
GREEN SW1 [toggle switch]
BLUE SW2 [toggle switch]
PURPLE SW3 [toggle switch]



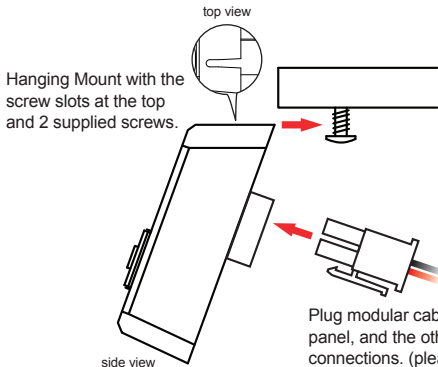
Switch Specification

- Input Voltage: 10~30 VDC
 Input Current: 0.2A / port
 1.0A / 5 ports
 Output Voltage: 10~24 VDC
 Output Current: 0.2A / port
 Fuse Recommended: 2A

Recommended Relay Specification (User-supplied)

- Input Voltage: 10~24 VDC
 Input Current: < 200mA

Screw Mount Installation



NOTE: Connect only the RED and BLACK wires to the power supply.

Plug modular cable to the back of the panel, and the other end to respective connections. (please refer to **Wiring**)