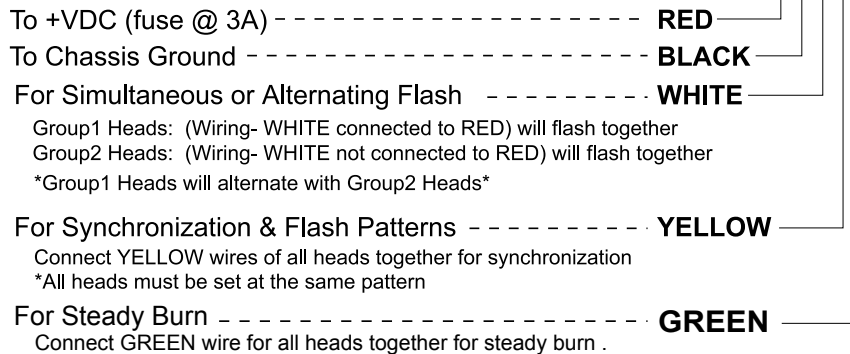
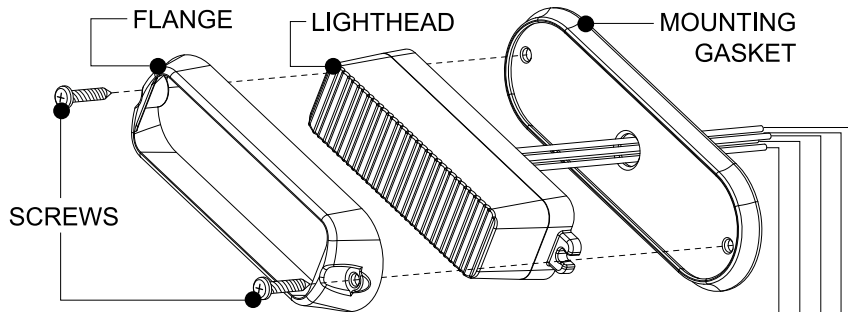


3-LED LIGHTHEAD



FLASH PATTERN

- 0 Random (all)
- 1 Steady
- 2 Single
- 3 Mega
- 4 Double
- 5 Triple
- 6 Quad
- 7 Quint
- 8 8 Flash
- 9 Single-Quad
- 10 Single H/L
- 11 Single-Triple-Quint

Momentarily apply +VDC to YELLOW wire:

- once for next pattern
- quickly three times for reset

Note: This unit is not factory set at pattern 0