

# MINIBAR

# PERMANENT MOUNT



**RED:** To +VDC (fuse @ 8A)

**BLACK:** To Chassis Ground (-)

**WHITE:** For Warning Mode 2

· Apply +VDC to WHITE wire to activate Warning Mode 2

**YELLOW:** Flash patterns & Synchronization

- Momentarily apply +VDC to YELLOW for Flash Pattern change
- Continuously apply +VDC to YELLOW for Low Power
- Connect YELLOW wires of all minibars together for synchronization; all units must be set at the same pattern

**WARNING:** Do not look directly into LEDs while in operation; may cause momentary blindness and/or eye damage.

## FLASH PATTERNS

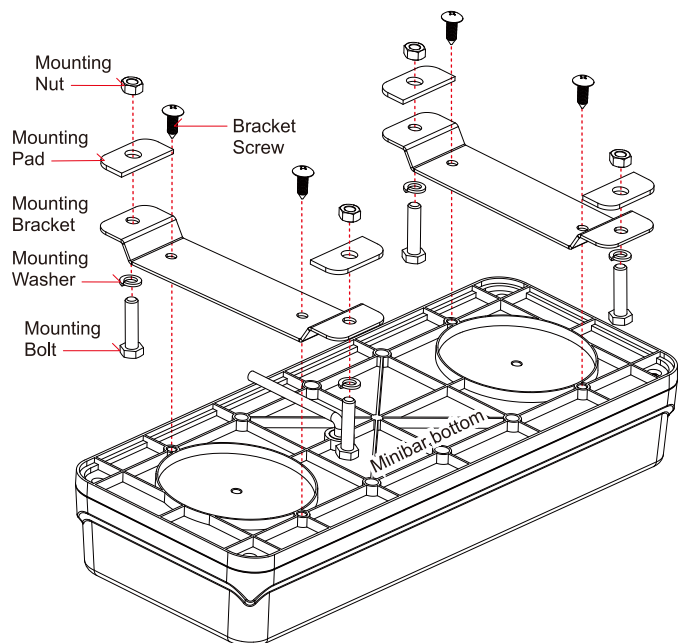
Momentarily apply +VDC to **YELLOW**:

- Once for next pattern
- Quickly 3 times for reset to FP#0

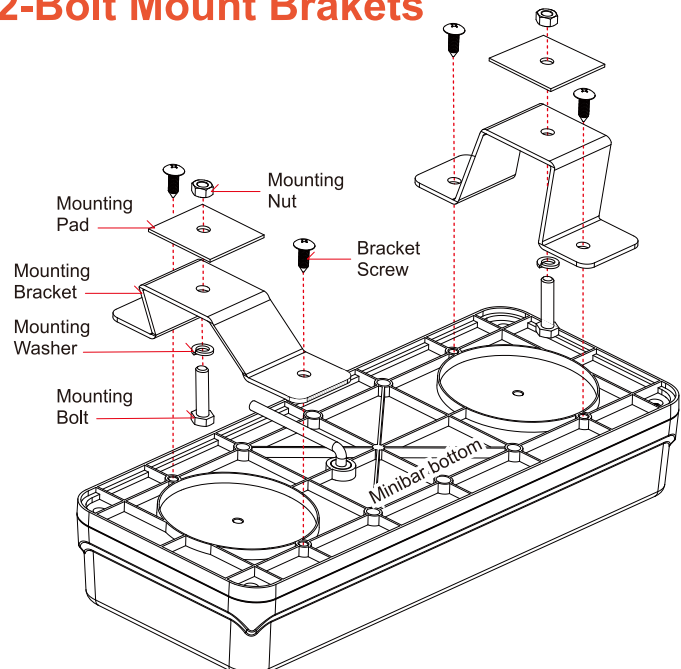
FP#	FLASH PATTERNS
0	Random (all)
1	Single (split)
2	Double (split)
3	Quad (split)
4	Quint (split)
5	Mega (split)
6	Ultra (split)
7	Single-Quad (split)
8	Single H/L (split)
9	Single (all)
10	Double (all)
11	Quad (all)
12	Quint (all)
13	Mega (all)
14	Ultra (all)
15	Single-Quad (all)
16	Single H/L (all)
17	Steady 2 (california)
18	Steady 4 (all)

- NOTE:**
1. Different Flash Pattern can be selected and kept in memory in Warning Mode.
  2. This unit may not be factory set at FP#0.

## 4-Bolt Mount Brackets



## 2-Bolt Mount Brackets



# MINIBAR

## MAGNETIC MOUNT



Model with Dual button cigar-plug.



**WARNING:** It is not recommended to use magnetically mounted warning devices on vehicles in motion. Usage is at the sole risk and responsibility of the user.

### FLASH PATTERNS

Momentarily push Flash Pattern button:

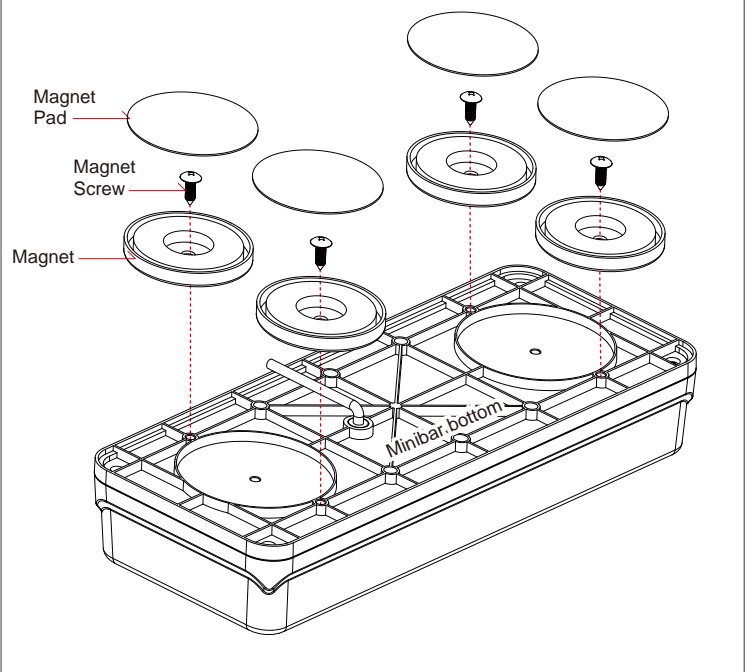
- Once for next pattern
- Quickly 3 times for reset to FP#0

FP#	FLASH PATTERNS
0	Random (all)
1	Single (split)
2	Double (split)
3	Quad (split)
4	Quint (split)
5	Mega (split)
6	Ultra (split)
7	Single-Quad (split)
8	Single H/L (split)
9	Single (all)
10	Double (all)
11	Quad (all)
12	Quint (all)
13	Mega (all)
14	Ultra (all)
15	Single-Quad (all)
16	Single H/L (all)
17	Steady 2 (california)
18	Steady 4 (all)

**NOTE:** This unit may not be factory set at FP#0.

**WARNING:** Do not look directly into LEDs while in operation; may cause momentary blindness and/or eye damage.

### Magnet Mount



### Vacuum Magnet Mount

